

# INSTALLATION INSTRUCTIONS

PART# PW015946

## BRACKETS OF UNIVERSAL NUDGE BAR FOR MITSUBISHI PAJERO SPORT QE SERIES

### Before Installation

- Please read the instruction completely for easy installation, which will also help you to avoid scratches or other potential damages to your appealing car.
- The figures here are for reference only and may have differences with the actual product you received, however they share the same assembly way.

### Care and Cleaning

- Mild soap may be used also to clean the Product.
- Please periodically check and retighten all the hardware and clean the investment for a refresh look.

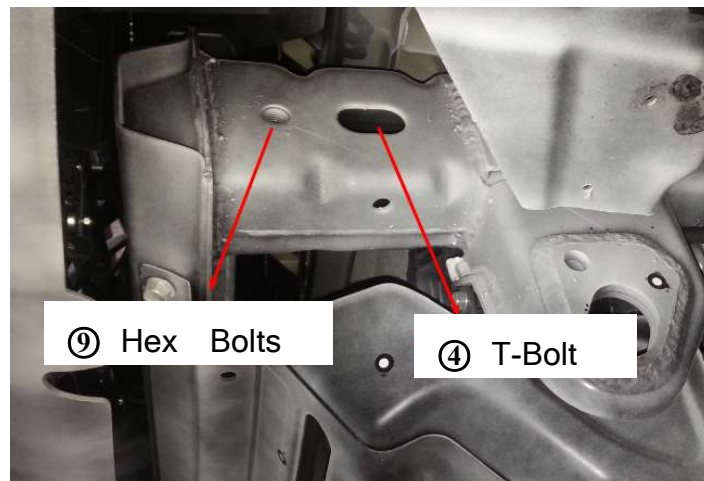
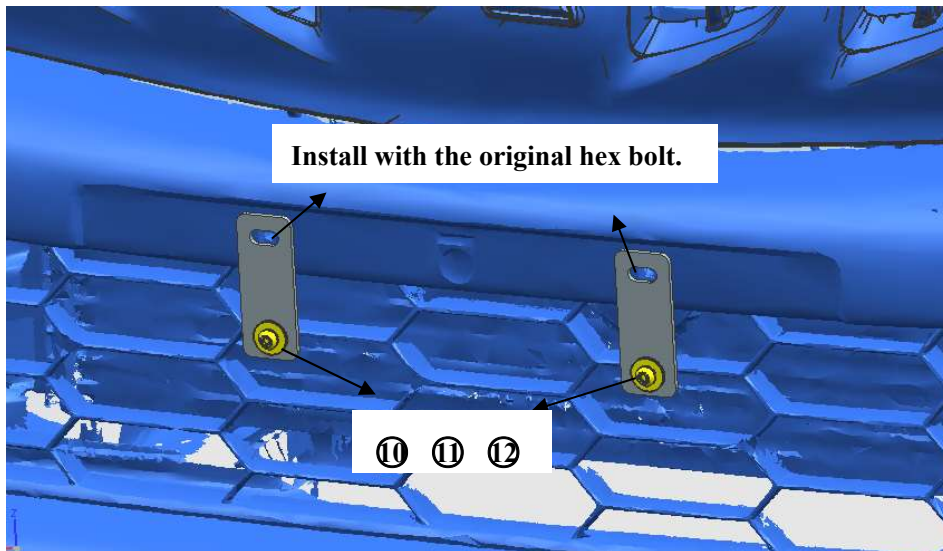
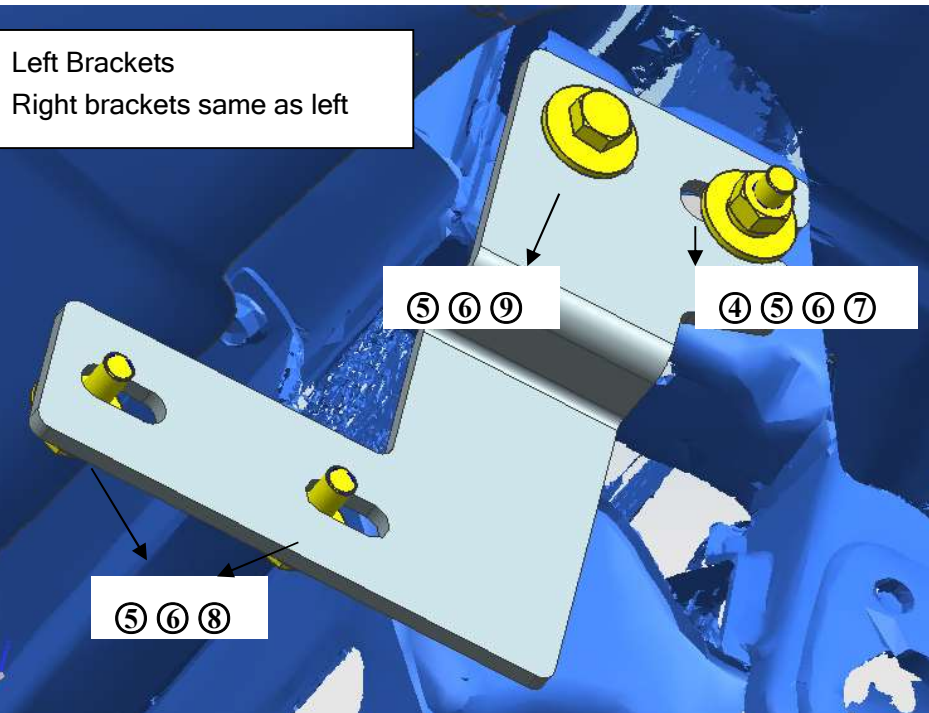
### Parts list

No.	Name	Qty	Remarks	No.	Name	Qty	Remarks
①	Mount bracket (LELF&RIGHT)	2		⑧	Hex Bolts	4	M10_30
②	License Plate bracket	2		⑨	Hex Bolts	2	M10x1.25_30
③	PVC	2		⑩	Large Washers	2	D6
④	T-Bolt	2	M10	⑪	Button Head Allen Bolts	2	M6_20
⑤	Spring washers	8	D10	⑫	Spring washers	2	D6
⑥	Large Washers	8	D10	⑬	Hexed Wrench	1	S=4
⑦	Nuts	2	M10				

# INSTALLATION INSTRUCTIONS

## Installation Steps

### INSTALLING PICTURE



## INSTALLATION INSTRUCTIONS

Step 1: Verify that all parts are present according to the manual.

Step 2: Install the brackets on the bottom of vehicle, then install your nudge bar on the brackets and install the license plate with original hex bolts as installation picture

Step 3: Test and make sure that the grille guard is steadily fixed, fully tighten all hardware.

Step 4: Installation is finished, pick up all tools.

### NOTE

Any damages and losses caused by improper installation and application, goes beyond our quality warranty.