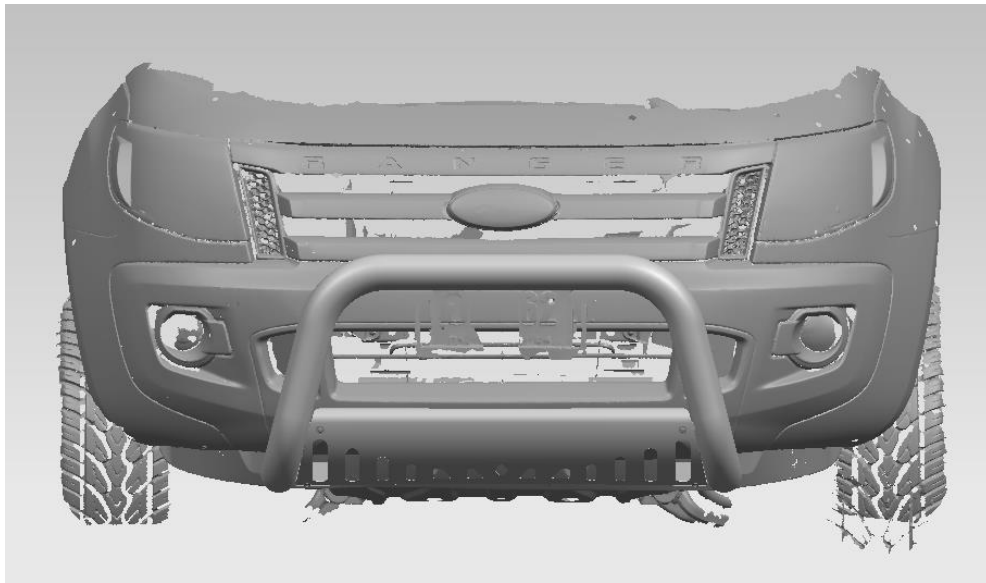


# INSTALLATION INSTRUCTIONS

## Black Nudge Bar Suitable for Ford Ranger PX MKII 2015-2018

### Before Installation

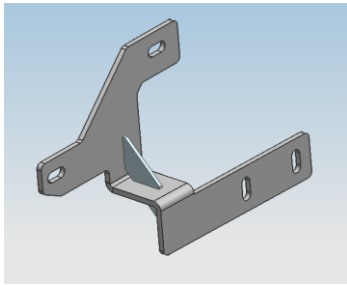
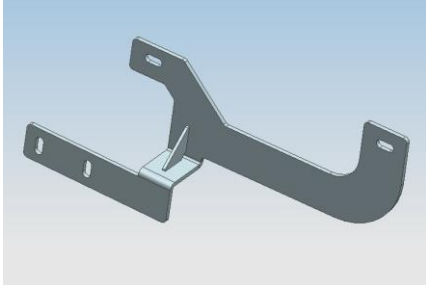


- Please read the instructions completely and carefully
- The figures here are for reference only and may have differences with the actual product you receive, however they share the same method of assembly.



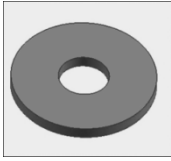
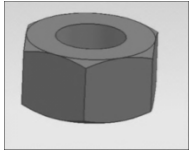




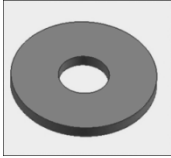

### Care and Cleaning

- Mild soap may be used to clean the product.
- Please periodically check and retighten all hardware to ensure maximum life and durability.

### Parts list

NO.	QTY	PICTUER	NO.	QTY	PICTUER
①	1	 L-mount bracket	②	1	 R-mount bracket
③	5		④	10	 Lock washer D10

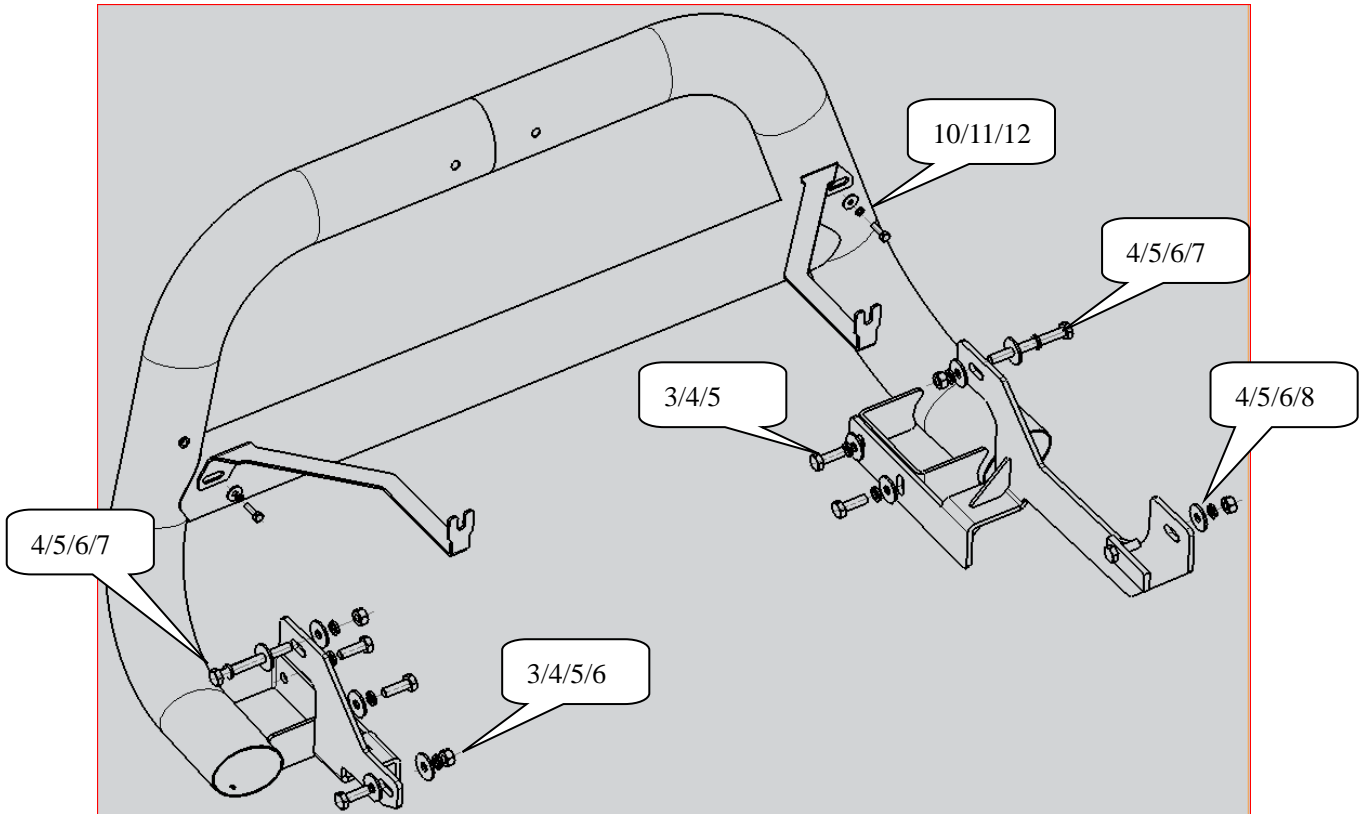
# INSTALLATION INSTRUCTIONS

		Hex bolt M10-30			
⑤	11	 Big washer D10(10x30x2.5mm)	⑥	4	 Hex nut M10
⑦	2	 Hex bolt M10-90	⑧	1	 T-bolt M10
⑨	2	 Upper Brackets	⑩	2	 Hex bolt M6-20
⑪	2	 Big washer D6	⑫	2	 Lock washer D6

# INSTALLATION INSTRUCTIONS

## Installation Steps

### INSTALLING PICTURE



Step 1: Install the grille guard and brackets to the vehicle follow installing picture.

Step 2: Test and make sure that the grille guard is steadily fixed, fully tighten all hardware.

Step 4: Installation is finished, pick up all tools.

## NOTE

Any damages and losses caused by improper installation and application, goes beyond our quality warranty.