

# INSTALLATION INSTRUCTIONS

## Black Nudge Bar with Skid Plate Suitable for Toyota Fortuner 2015-2018

### Before Installation

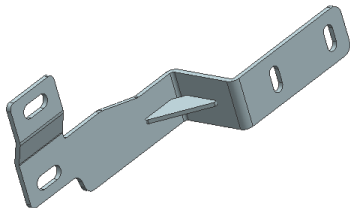
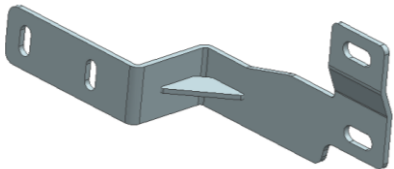
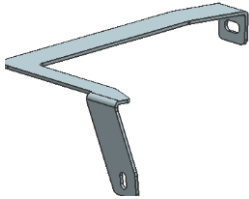
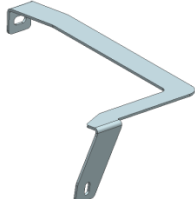
- Please read the instructions completely and carefully
- The figures here are for reference only and may have differences with the actual product you receive, however they share the same method of assembly.



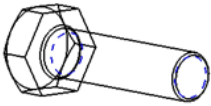


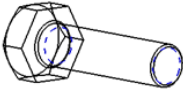



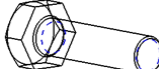


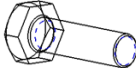


### Care and Cleaning

- Mild soap may be used to clean the product.
- Please periodically check and retighten all hardware to ensure maximum life and durability.

### Parts list

NO.	QTY	PICTUER	NO.	QTY	PICTUER
①	1	 BRACKET (L)	②	1	 BRACKET (R)
③	5	 SUPPORTING BRACKET (L)	④	10	 SUPPORTING BRACKET (R)

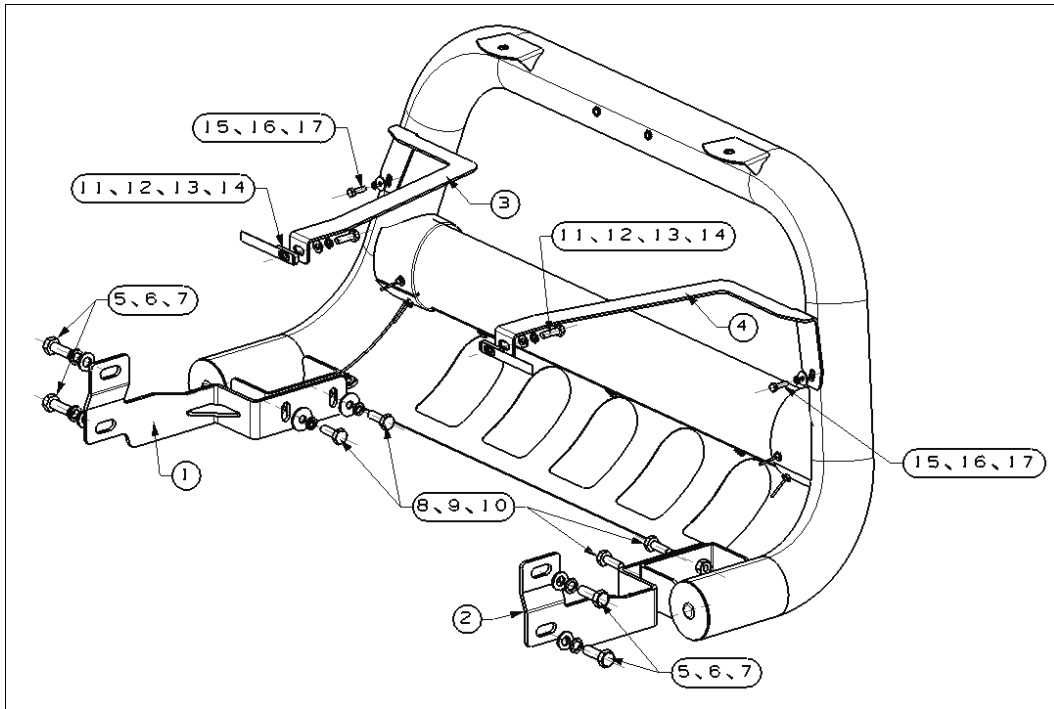
## INSTALLATION INSTRUCTIONS

⑤	4	 HEX BOLT M12*35	⑥	4	 SPRING WASHER D12
⑦	4	 LARGE WASHER D12	⑧	4	 HEX BOLT M10*30
⑨	4	 SPRING WASHER D10	⑩	4	 LARGE WASHER D10
⑪	2	 T-NUT M8	⑫	2	 HEX BOLT M8*25
⑬	2	 SPRING WASHER D8	⑭	2	 LARGE WASHER D8
⑮	2	 HEX BOLT M6*20	⑯	2	 SPRING WASHER D6
⑰	2	 LARGE WASHER D6			

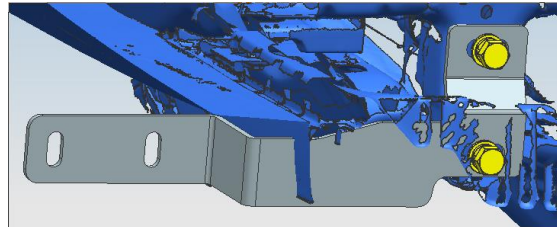
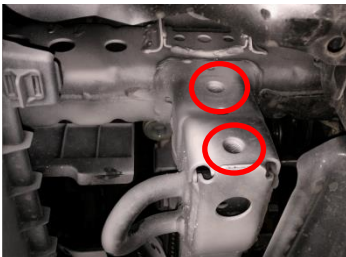
# INSTALLATION INSTRUCTIONS

## Installation Steps

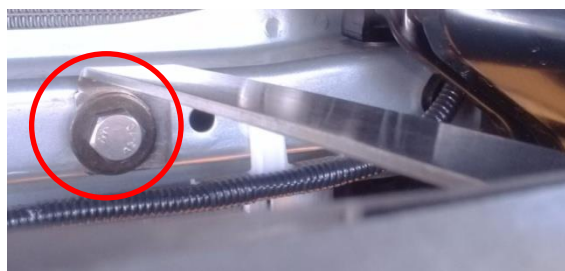
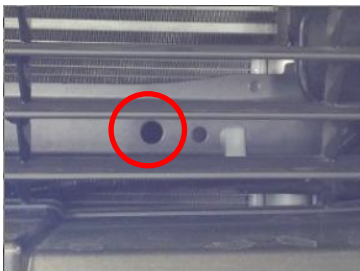
### INSTALLING PICTURE



Step 1: Find threaded holes on the chassis under the vehicle as shown in following pictures, and install L&R brackets with (5) (6) (7), do not totally tighten at this step.



Step 2: Find mounting holes located at the air-inlet grille as shown in following picture, install L&R supporting brackets with (11) (12) (13) (14), do not totally tighten first.



Step 3: Connect the grille guard to the brackets with (8) (9) (10), and to supporting brackets with (15) (16) (17), do not tighten first.

Step 4: Adjust the bar in the most proper position, then tighten all of the bolts, finish the installation.

## INSTALLATION INSTRUCTIONS

### NOTE

Any damage or loss caused by improper installation and application, goes beyond our quality warranty.