

## BRACKETS OF UNIVERSAL NUDGE BAR FOR MITSUBISHI TRITON 2019

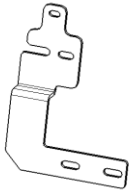
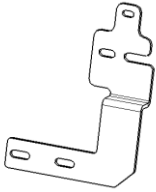
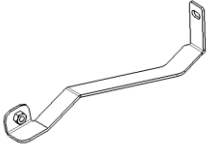
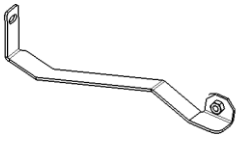
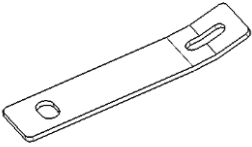
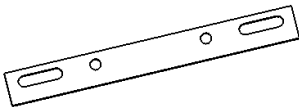
### Before Installation

- Please read the instruction completely for easy installation, which will also help you to avoid scratches or other potential damages to your appealing car.
- The figures here are for reference only and may have differences with the actual product you received, however they share the same assembly way.

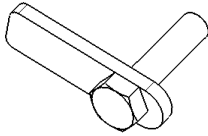
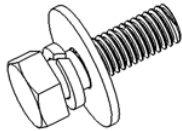
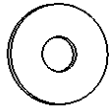
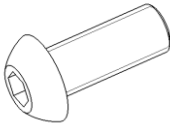

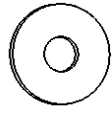

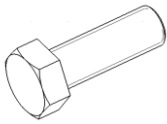

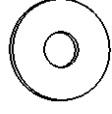
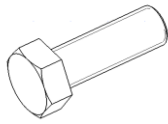
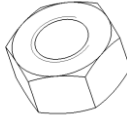
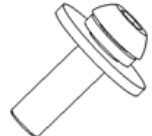
### Care and Cleaning

- Mild soap may be used also to clean the Product.
- Please periodically check and retighten all the hardware and clean the investment for a refresh look.

### Parts list

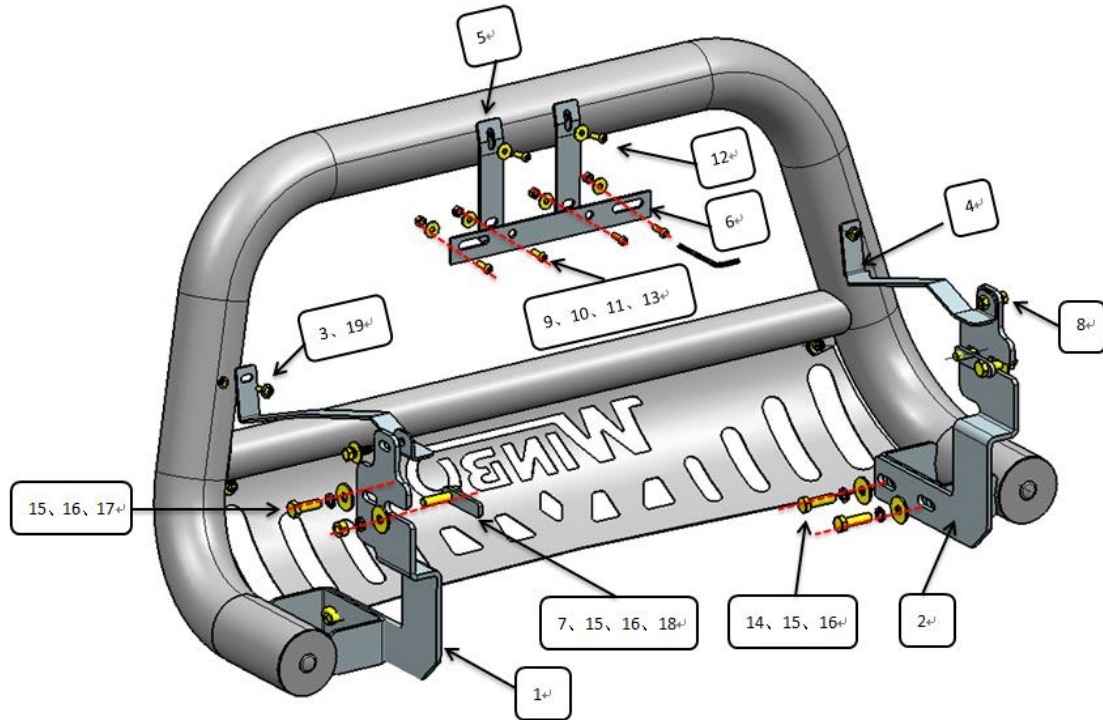
NO.	QTY	PIC	NO.	QTY	PIC
①	1	 Mount Bracket (L)	②	1	 Mount Bracket (R)
③	1	 Brace Bracket (L)	④	1	 Brace Bracket (R)
⑤	2	 License Plate bracket 1	⑥	1	 License Plate bracket 2

## INSTALLATION INSTRUCTIONS

⑦	2	 T-Bolt M10	⑧	2	 Hex bolt M8*25
⑨	4	 Large Washer D6(Sus304)	⑩	4	 Hex bolt M6-20
⑪	4	 Hex nut M6 (Sus304)	⑫	2	 Large Washer D6
⑬	1	 Hexed Wrench S=4	⑭	4	 Hex bolt M10-35
⑮	8	 Spring Washer D10	⑯	8	 Large Washer D10
⑰	2	 Hex bolt M10-1.25-30	⑱	2	 Hex nut M10
⑲	2	 Button head allen bolts M6_20	⑳		

# INSTALLATION INSTRUCTIONS

## INSTALLING PICTURE



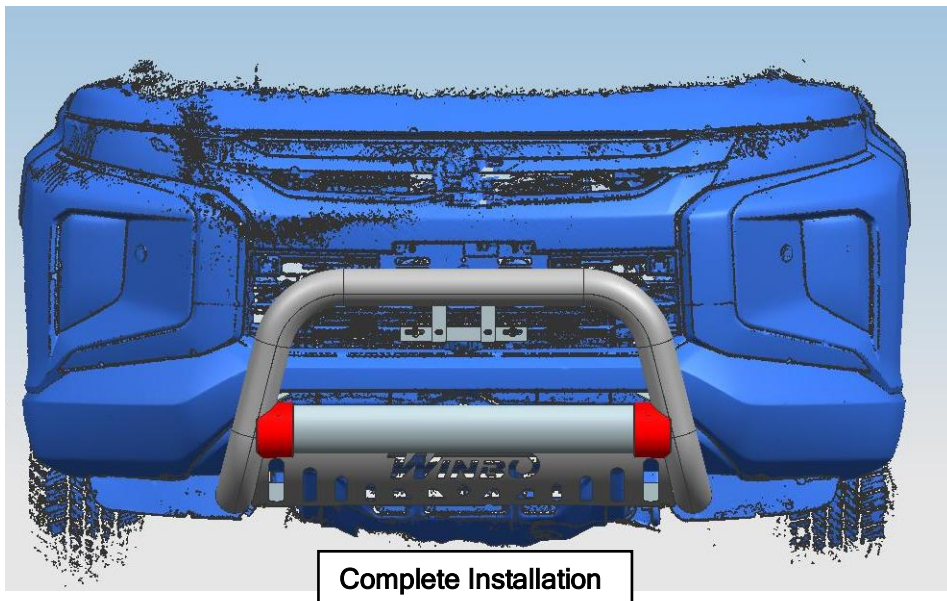
Step 1: Verify that all parts are present according to the manual.

Step 2: Install the lower brackets to the vehicle loosely. The left and right brackets are mirror images.

Step 3: Install the upper support brackets to the lower support brackets through the front grille of the car.

Leave bolts loose

Step 4: Attach nudge bar to the brackets and fully tighten all hardware.



### NOTE

Any damages and losses caused by improper installation and application, goes beyond our quality warranty.