

INSTALLATION INSTRUCTIONS

Black Steel Shark Side Steps suitable for Mazda BT-50/Ford Ranger 2012-2018

Before Installation

- Please read the instructions completely and carefully
- The figures here are for reference only and may have differences with the actual product you receive, however they share the same method of assembly.

Care and Cleaning

- Mild soap may be used to clean the product.
- Please periodically check and retighten all hardware to ensure maximum life and durability.

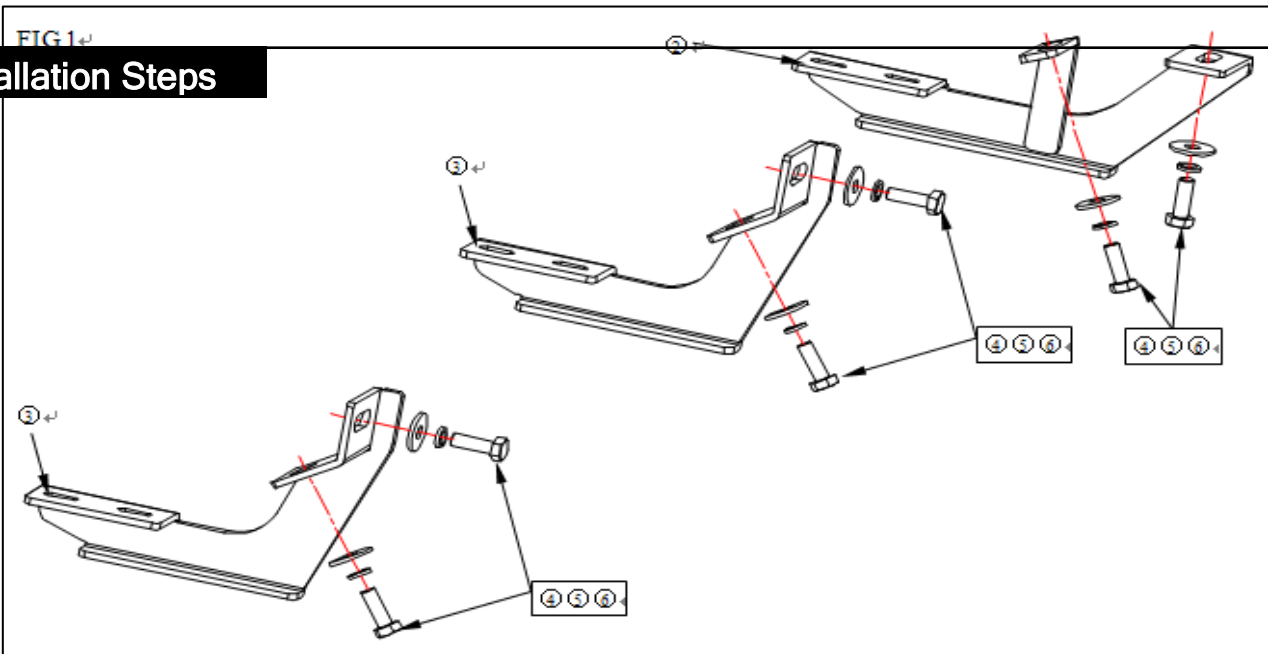
Parts list

| NO. | Name | Qty | Remarks | NO. | Name | Qty | Remarks |
|-----|---------------------|-----|---------|-----|----------------|-----|---------|
| ① | Running board | 2 | | ④ | Hex bolt | 12 | M10x30 |
| ② | Front bracket | 2 | | ⑤ | Spring washer | 12 | D10 |
| ③ | Middle&Rear bracket | 4 | | ⑥ | Enlarge washer | 12 | D10 |

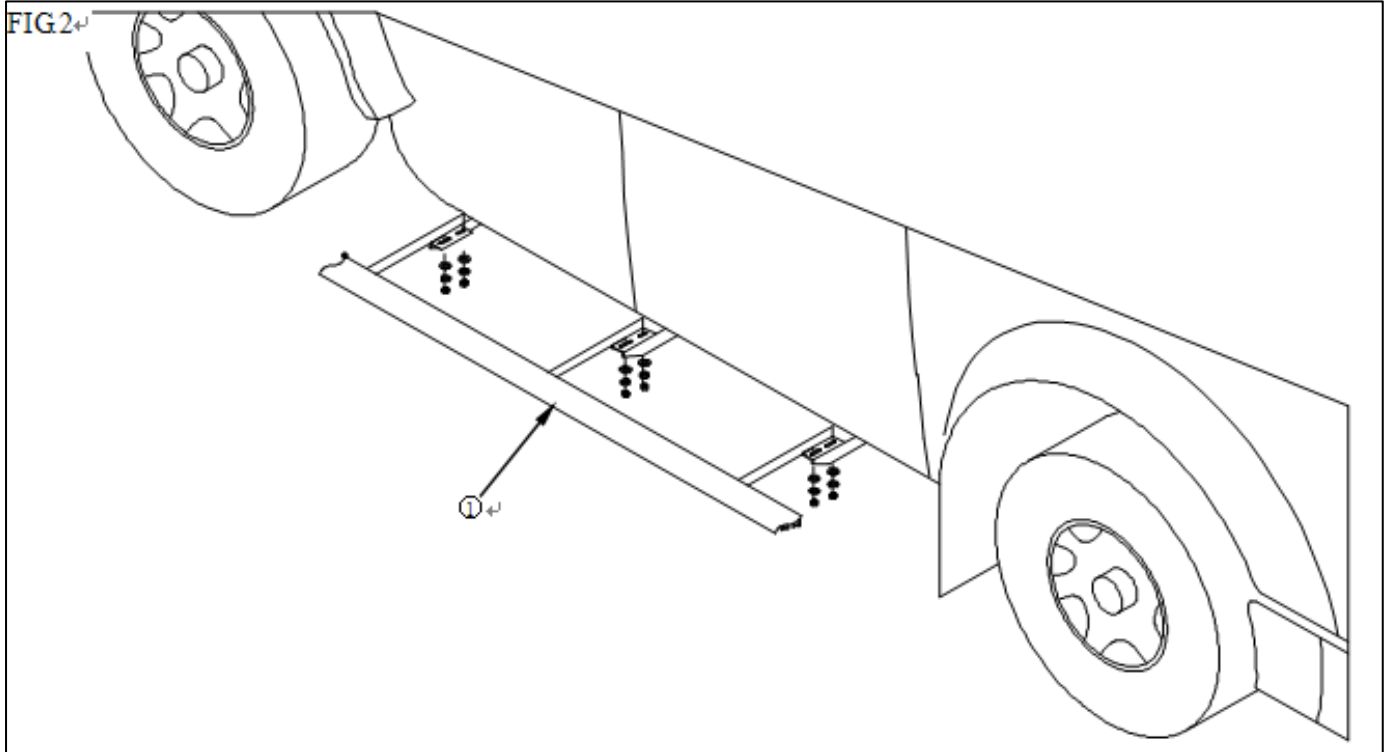
① the running board should be provided for yourselves.

FIG1e

Installation Steps



INSTALLATION INSTRUCTIONS



Step 1: Check all the contents are available in accordance with the above list.

Step 2: Install the bracket in vehicle bottom using hardware ④ ⑤ ⑥ as Fig.1

Step 3: Install the running board on brackets as Fig.2 showing.

Step 4: Line up the running board with the brackets, finally follow up with tightening the bolts.

NOTE

Any damage or loss caused by improper installation and application, goes beyond our quality warranty.