

INSTALLATION INSTRUCTIONS

Black Steel Shark Side Steps suitable for Mitsubishi Triton MQ 2015-2018


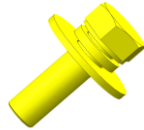

Before Installation

- Please read the instructions completely and carefully
- The figures here are for reference only and may have differences with the actual product you receive, however they share the same method of assembly.

Care and Cleaning

- Mild soap may be used to clean the product.
- Please periodically check and retighten all hardware to ensure maximum life and durability.

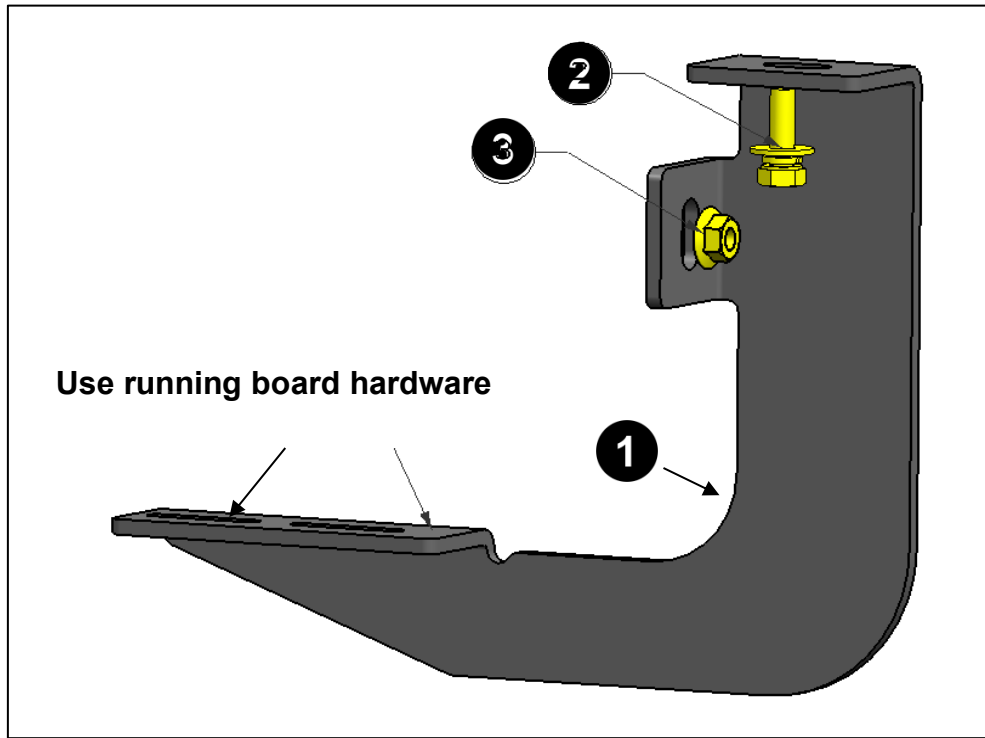
Parts list

NO.	QTY	PICTURE	NO.	QTY	PICTURE
①	6	 BRACKET	②	6	 The assembling of hex bolts, spring washer & flat washer M8_25
③	6	 HEX NUT M8			

Installation Steps

Installation Fig.

INSTALLATION INSTRUCTIONS



Step 1: Verify all parts are present.

Step 2: Install the brackets and running board on the bottom of vehicle as above picture.

Step 3: Check the running board if it fits correctly, then tighten all hardware.

NOTE

Any damage or loss caused by improper installation and application, goes beyond our quality warranty.