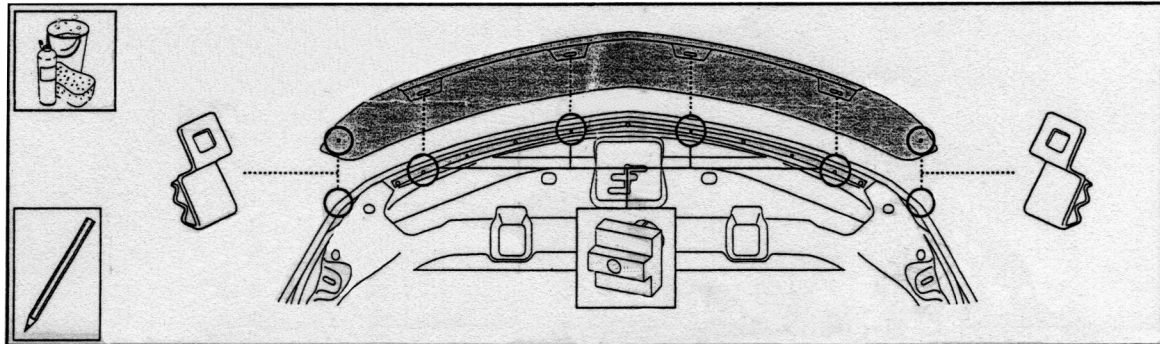


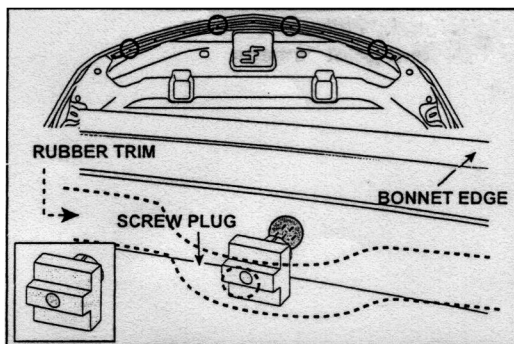
# BONNET GUARD INSTALLATION INSTRUCTIONS FOR: MAZDA BT50 2012

BOSSCO AUTO  
ACCESSORIES



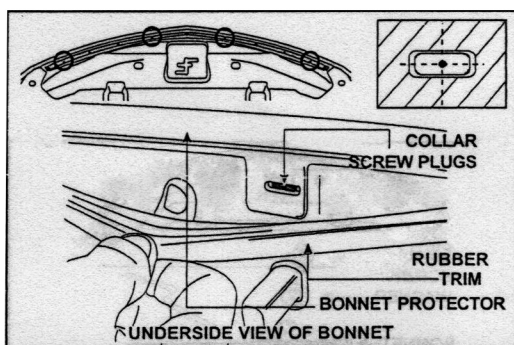
## STEP 1

Wash the bonnet with a mild soap and water solution, then dry thoroughly. Open the bonnet. Trial fit the Bonnet Protector centrally onto bonnet. With a non-permanent marker, note and mark the positions of the holes in the Bonnet Protector onto bonnet. Also note the rubber trim retaining plugs that correspond to the holes in the Bonnet Protector tags. Remove Bonnet Protector.



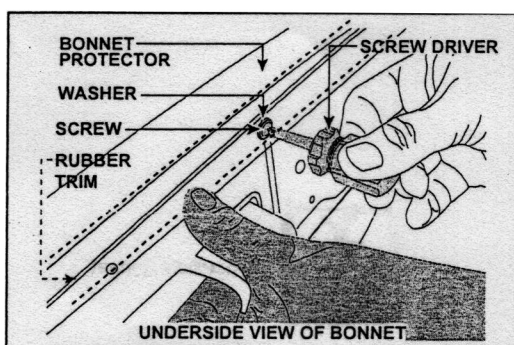
## STEP 2

Remove the four previously noted rubber trim retaining plugs using pliers if necessary. Insert screw plugs provided into the four vacant holes. Do not discard rubber trim retaining plugs.



## STEP 3

Re-install the Bonnet Protector centrally, ensure that the collar of the screw plugs locate into and parallel with the slots in the Bonnet Protector tags as shown.



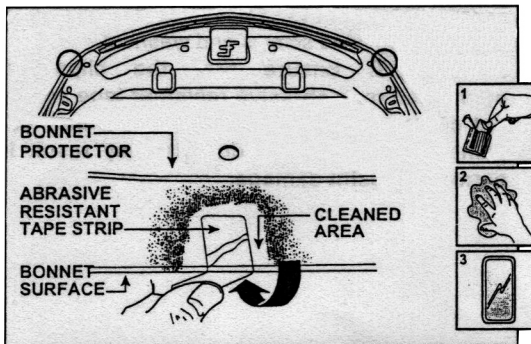
## STEP 4

While maintaining thumb pressure against the underside of the Bonnet Protector insert washer and self-tapping screw into the rubber trim and into screw plug and tighten screws. Do not fully tighten yet. Ensure the Bonnet Protector is centralised on bonnet then fully tighten screws. Important: Thumb pressure must be maintained on the Bonnet Protector to prevent the screw plug from rotating. DO NOT OVERTIGHTEN SCREWS.

# BONNET GUARD

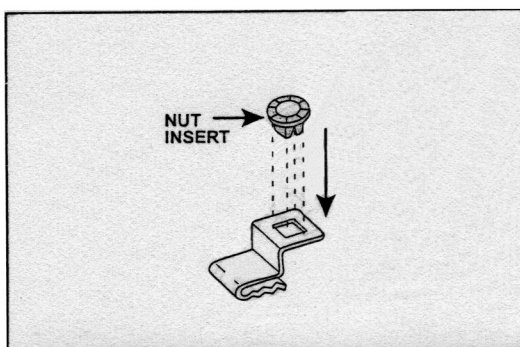
## INSTALLATION INSTRUCTIONS

### FOR: MAZDA BT50 2012



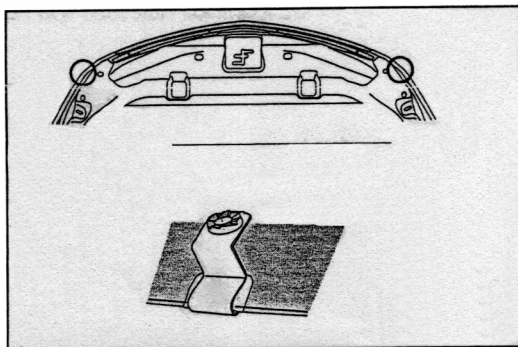
#### STEP 5

Clean the noted areas under the wing clip locations with alcohol wipe provided. Wipe off any residue with a dry clean cloth. Adhere the abrasive resistant tape strips over the bonnet lip. Apply tape so approximately half of each strip is adhered to the top side and half is adhered to the underside of bonnet.



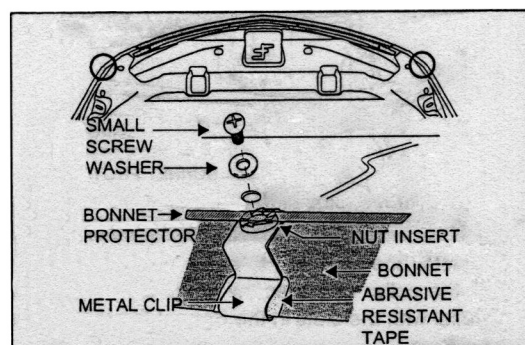
#### STEP 6

Fit the nut inserts into all the clips as shown



#### STEP 7

Locate the metal wing clips over the abrasive resistant tape strips on the bonnet lip.  
**IMPORTANT:** Ensure that the clips are positioned over abrasive resistant tape and do not come in contact with any of the bonnet's paint work. Failure to do this may result in permanent paint damage.



#### STEP 8

Secure the Bonnet Protector to the metal clips using the provided screws and washers.  
**IMPORTANT:** Ensure that the clips are positioned over abrasive resistant tape and do not come in contact with any of the bonnet's paint work. Failure to do this may result in permanent paint damage.



Do not slam bonnet.



Clean Bonnet Protector with a mild detergent and water solution



Do not use abrasive cleaners.