



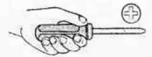


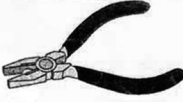

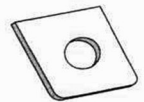
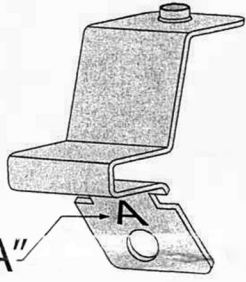
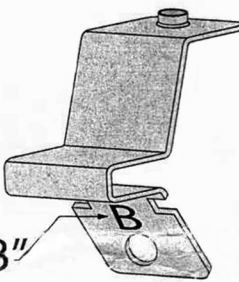

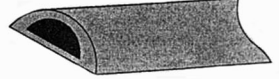


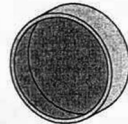




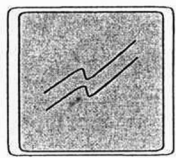


# BONNET GUARD

## INSTALLATION INSTRUCTIONS

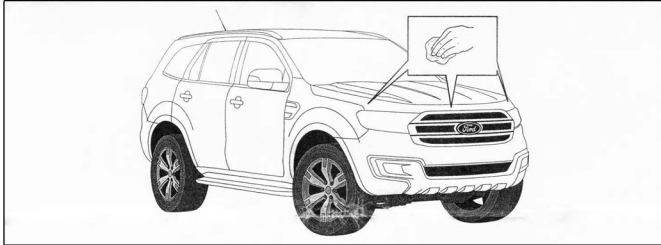
### FOR: FORD RANGER T7 2015

 Location/Position Arrow	 Movement Arrow	 Warning / Beware	 Wipe Clean	 Use Phillips Screwdriver
 Use Non Permanent Marker	 Use Rubber Hammer	 Use Pliers		
<b>A</b>  X 1		<b>B</b>  X 5		
<b>C</b>  "A" X 3	<b>D</b>  "B" X 2	<b>E</b>  X 5	<b>F</b>  X 1	
<b>G</b>  X 5	<b>H</b>  X 5	<b>I</b>  X 5	<b>J</b>  X 5	
<b>K</b>  X 6	<b>L</b>  X 5	<b>M</b>  X 2	<b>N</b>  X 4	

# BONNET GUARD

## INSTALLATION INSTRUCTIONS

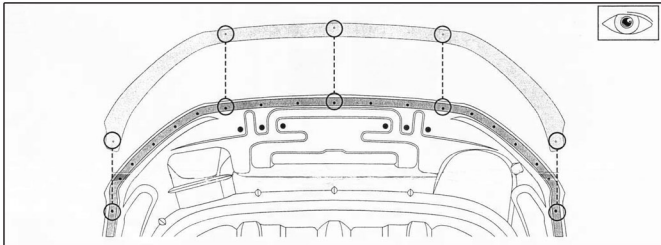
### FOR:FORD RANGER T7 2015



#### STEP 1

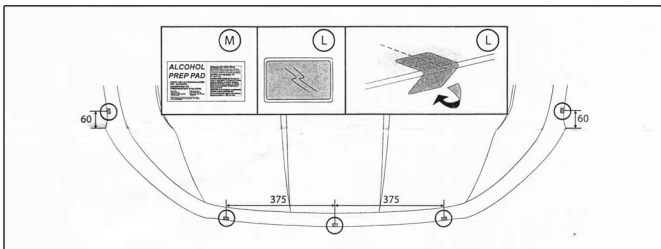
Open the bonnet and thoroughly clean and dry the bonnet and surrounding areas.

#### STEP 2



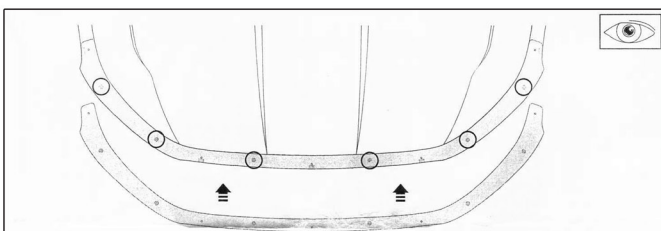
- Trial fit the Bonnet Protector centrally onto the bonnet.
- Note the five scrivenets in the rubber gasket on the underside of the bonnet that correspond with the holes of the Bonnet Protector.
- Remove the Bonnet Protector.

#### STEP 3



- Clean the five noted positions with the alcohol wipe provided. Allow to dry.
- Apply the abrasion resistant tape so approximately half of each strip is adhered to the top side and half is adhered to the underside of the bonnet.

#### STEP 4



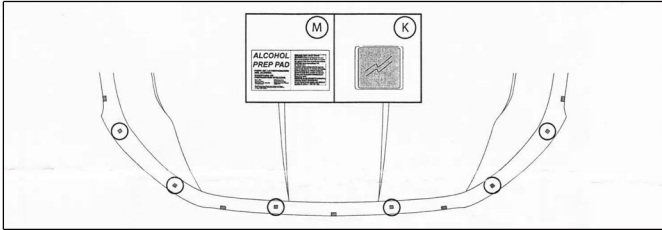
- Trial fit the Bonnet Protector centrally onto the bonnet.
- Note the six bumpons attached to the underside of the Bonnet Protector and where they correspond with the bonnet.
- Remove the Bonnet Protector.

# BONNET GUARD

## INSTALLATION INSTRUCTIONS

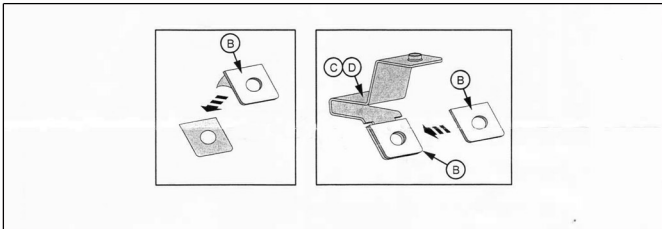
### FOR:FORD RANGER T7 2015

#### STEP 5



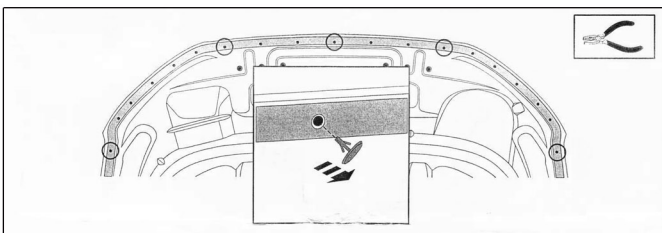
- Clean the five noted positions with the alcohol wipe provided. Allow to dry.
- Apply the abrasion resistant tape to the top of the bonnet.

#### STEP 6



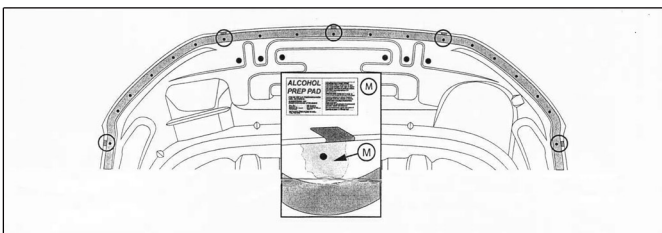
- Peel the backing tape liner from the foam pad.
- Attach the foam pad to the metal clips aligning the hole in the foam pad with the hole in the metal clips.

#### STEP 7



- Remove the four previously noted screws from the rubber gasket.
- Discard the screws.

#### STEP 8



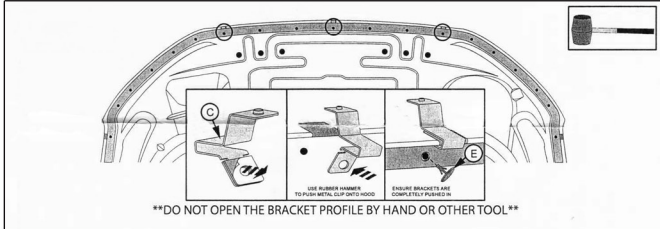
- At the five noted locations pull the rubber gasket forward and clean the around the holes in the bonnet with the alcohol wipe.

# BONNET GUARD

## INSTALLATION INSTRUCTIONS

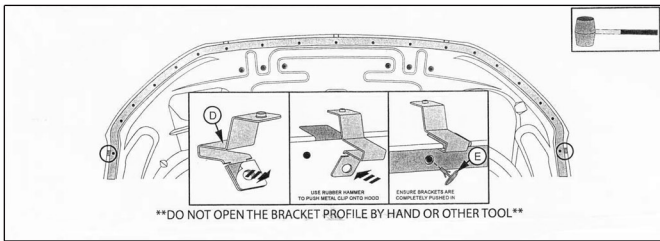
### FOR: FORD RANGER T7 2015

#### STEP 9



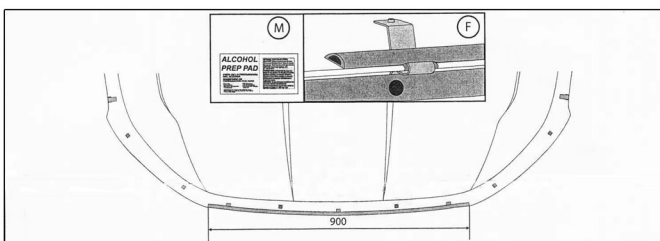
- Remove the backing tape liner from the foam pad.
- Position the metal clips "C" onto the bonnet over the abrasion resistant tape.
- Fasten the clips to the bonnet by placing the scrivet through the rubber gasket and clips into the bonnet.

#### STEP 10



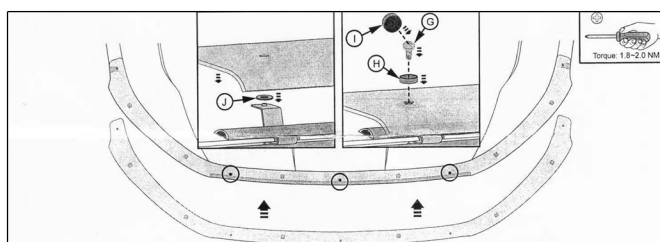
- Remove the backing tape liner from the foam pad.
- Position the metal clips "D" onto the bonnet over the abrasion resistant tape.
- Fasten the clips to the bonnet by placing the scrivet through the rubber gasket and clips into the bonnet.

#### STEP 11



- Clean the surface of the bonnet at the noted position with the alcohol wipe provided. Allow to dry.
- Peel the backing tape liner from the rubber gasket.
- Apply the rubber gasket to centrally on the bonnet over the metal clips.

#### STEP 12



- Loosely secure the Bonnet Protector to the three metal clips "C" with the screw and washer provided.
- Ensure the Bonnet Protector is positioned centrally on the bonnet, then fully tighten the screws.
- Fit three screw cap covers over the screws.

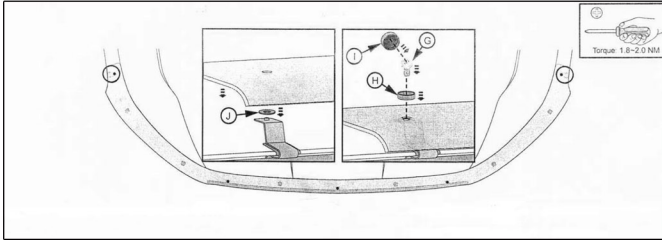


# BONNET GUARD

## INSTALLATION INSTRUCTIONS

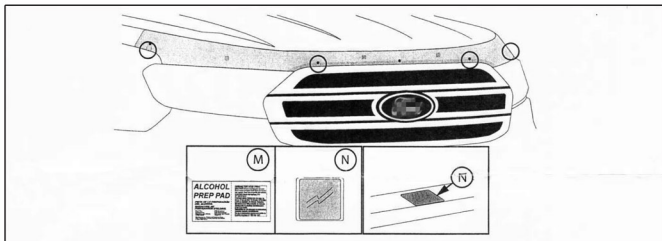
### FOR:FORD RANGER T7 2015

#### STEP 13



- Secure the Bonnet Protector to the two metal clips "D" with the screw and washer provided.
- Fit two screw cap covers over the screws.

#### STEP 14



- Clean the grille and fender directly below the four outer clip positions with the alcohol wipe provided. Allow to dry.
- Adhere the abrasion resistant tape to the grille and fender directly below the metal clips.