



LAND CRUISER

September 2007 Production Onwards
ACRYLIC BONNET PROTECTOR
 Installation Instructions



Accessory Part No. 10958

Installation Time: Approx. 20 mins

Place these instructions in vehicle's glove box after installation is complete

Care Instructions:



Do not slam bonnet.



Clean Bonnet Protector with a mild detergent and water solution.


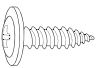









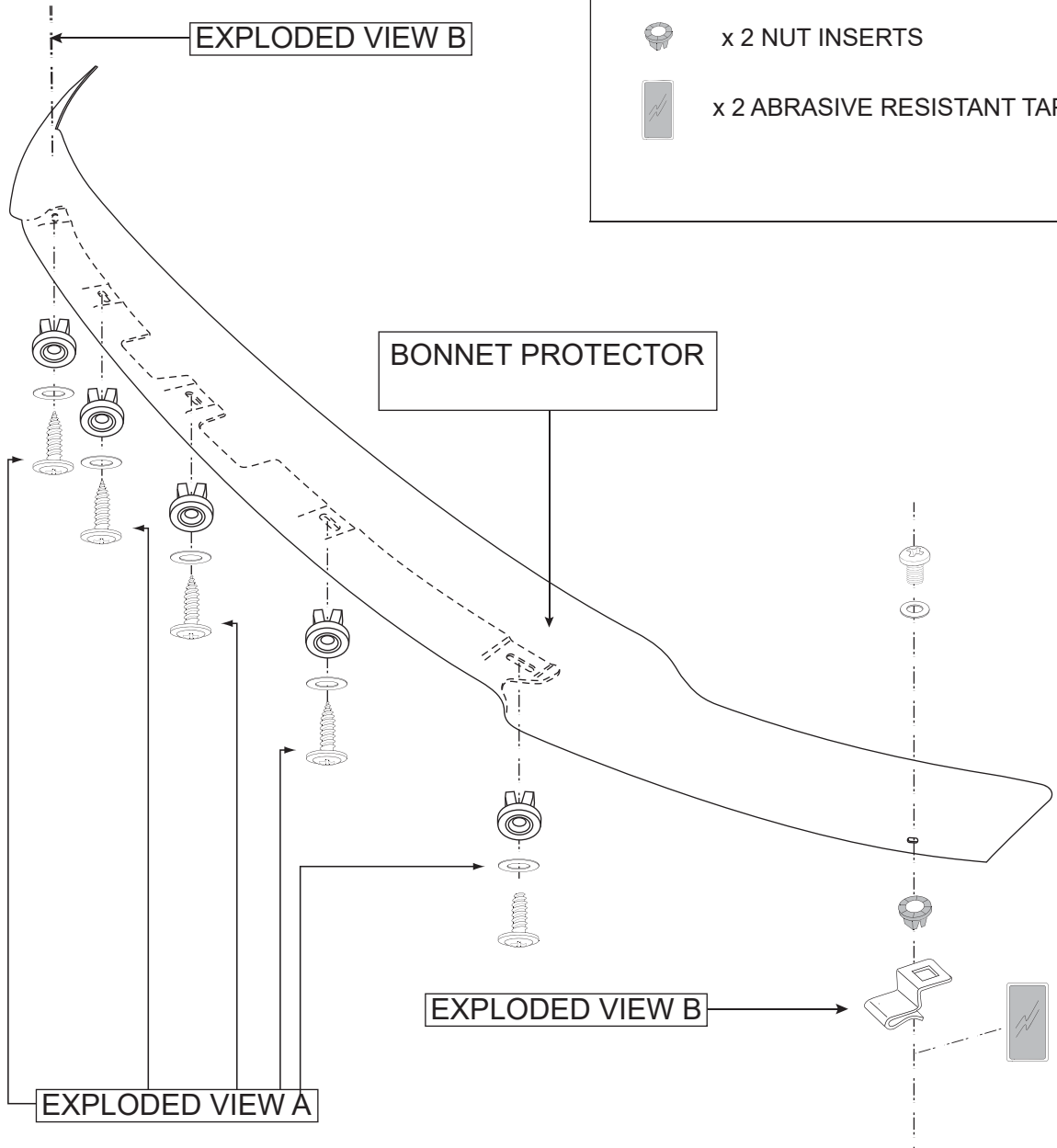
Do not use automatic car wash.



Do not use abrasive, spirit or solvent based cleaners.

Item	Component Name	Qty
1	Bonnet Protector Set	1
2	Screw Plugs	5
	Self Tapping Screws	5
	Alcohol Wipe	1
	Washers	5
	Metal Wing Clips	2
	Small Washers	2
	Nut Inserts	2
	Small Screws	2
	Abrasive Resistant Tapes	2
Fitting Instruction	1	

-  x 5 SCREW PLUGS
-  x 5 SELF TAPPING SCREWS
-  x 1 ALCOHOL WIPE
-  x 5 WASHERS
-  x 2 METAL WING CLIPS
-  x 2 SMALL SCREWS
-  x 2 SMALL WASHERS
-  x 2 NUT INSERTS
-  x 2 ABRASIVE RESISTANT TAPES



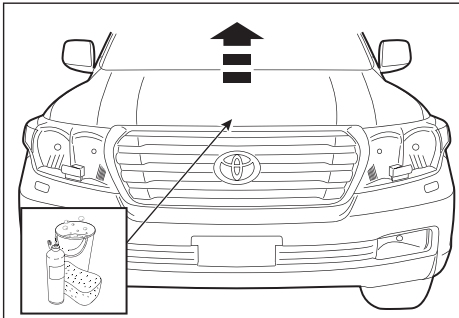
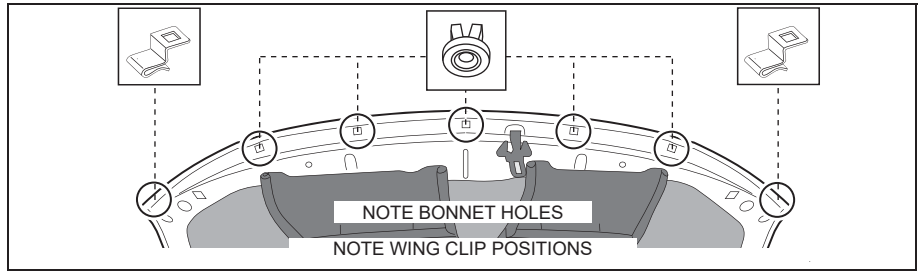


Diagram #: 1



1. Open & thoroughly clean and dry the bonnet. Trial fit Bonnet Protector centrally onto bonnet. Note the holes in the underside of the bonnet that correspond to the slots in the Bonnet Protector tags. Also note the Metal wing clip positions, then mark these positions onto the bonnet with a pencil or non-permanent marker. Remove Bonnet Protector. **See Dia #1.**

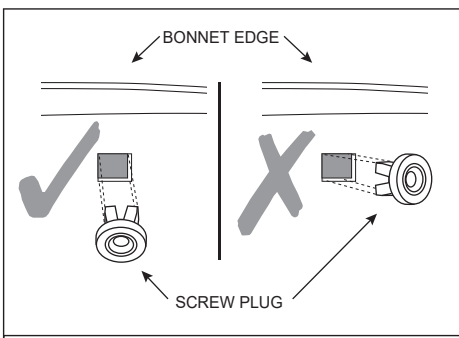


Diagram #: 2

2. Insert the screw plugs provided into the previously noted corresponding holes, directly into the underside of the bonnet. Ensure correct orientation of screw plugs. **See Dia #2.**

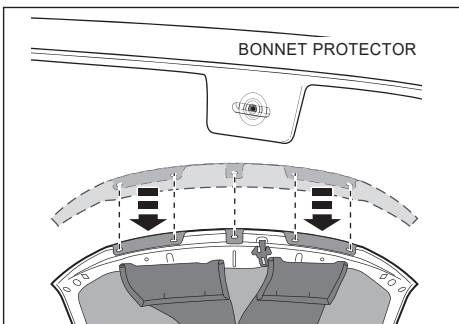


Diagram #: 3

3. Install the Bonnet Protector centrally onto bonnet. Ensure the holes in the Bonnet Protector tags align with the screw plugs fitted to the underside of the bonnet, as shown. **See Dia #3.**

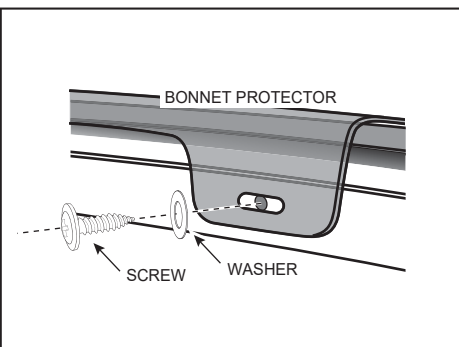
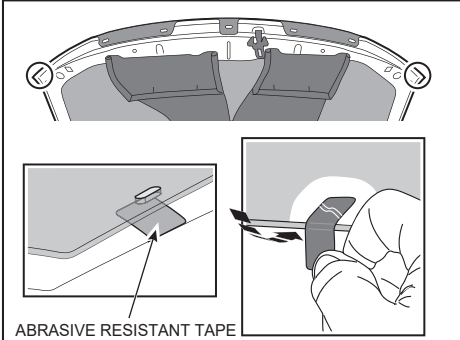


Diagram #:4

4. Secure Bonnet Protector to bonnet using the screws, and large washers provided. The correct sequence is screw plugs, Bonnet Protector, large washers and screws. **See Dia #4.**



ABRASIVE RESISTANT TAPE

Diagram #:5

5. Clean the noted areas under the wing clip locations with alcohol wipe provided. Wipe off any residue with a dry clean cloth. Adhere the abrasive resistant tape strips over the bonnet lip. Apply tape so that approximately half of each strip is adhered to the top side and half is adhered to the underside of bonnet. **See Dia #5.**

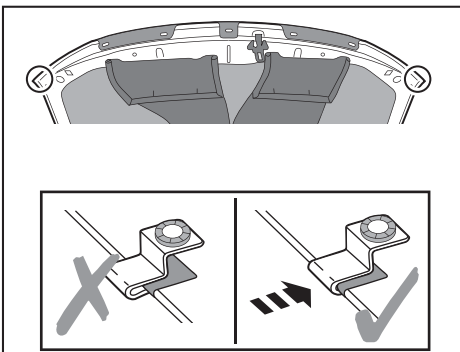
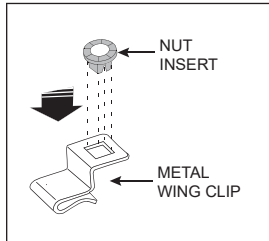


Diagram #:6

6. Install the nut inserts into the metal wing clips. Locate the metal wing clips over the abrasive resistant tape strips on the bonnet lip, as shown. **See Dia #6.**
IMPORTANT: Ensure that the clips are positioned over abrasive resistant tape and do not come in contact with any of the bonnet's paint work. Failure to do this may result in permanent paint damage.



IMPORTANT: Please ensure that the plastic nut insert correctly engages the square hole of the clip, as shown.



If the threaded insert is not fully engaged it may pull away from the clip during use. To ensure full engagement, please use a pair of pliers to flatten the head of the nut insert against the clip.

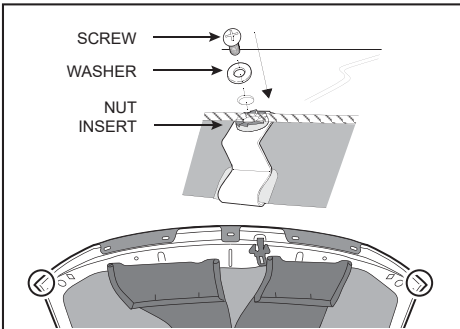


Diagram #:7

7. Secure the Bonnet Protector to the metal wing clips with the small screws and small washers provided. **See Dia #7.**
TO REMOVE: Reverse the above procedure.

IMPORTANT: Conduct final inspection, ensuring all fasteners are tightened, and clips are correctly installed and not touching painted surfaces. Close bonnet and check clearances at all edges for interference and adjust if necessary.