



LAND CRUISER PRADO

August 2009 Production Onwards

ACRYLIC BONNET PROTECTOR

Installation Instructions



Accessory Part No. 10963

Installation Time: Approx. 30 mins

Place these instructions in vehicle's glove box after installation is complete

Care Instructions:



Do not slam bonnet.



Clean Bonnet Protector with a mild detergent and water solution.



Do not use automatic car wash.



Do not use abrasive, spirit or solvent based cleaners.

Item	Component Name	Qty
1	Bonnet Protector - DARK TINT	1
2	Centre Metal Wing Clips	2
	Metal Wing Clips	4
	Washers	6
	Screws - Black	6
	Abrasive Resistant Tapes	6



x 2 CENTRE METAL CLIPS



x 4 METAL WING CLIPS



x 6 SCREWS

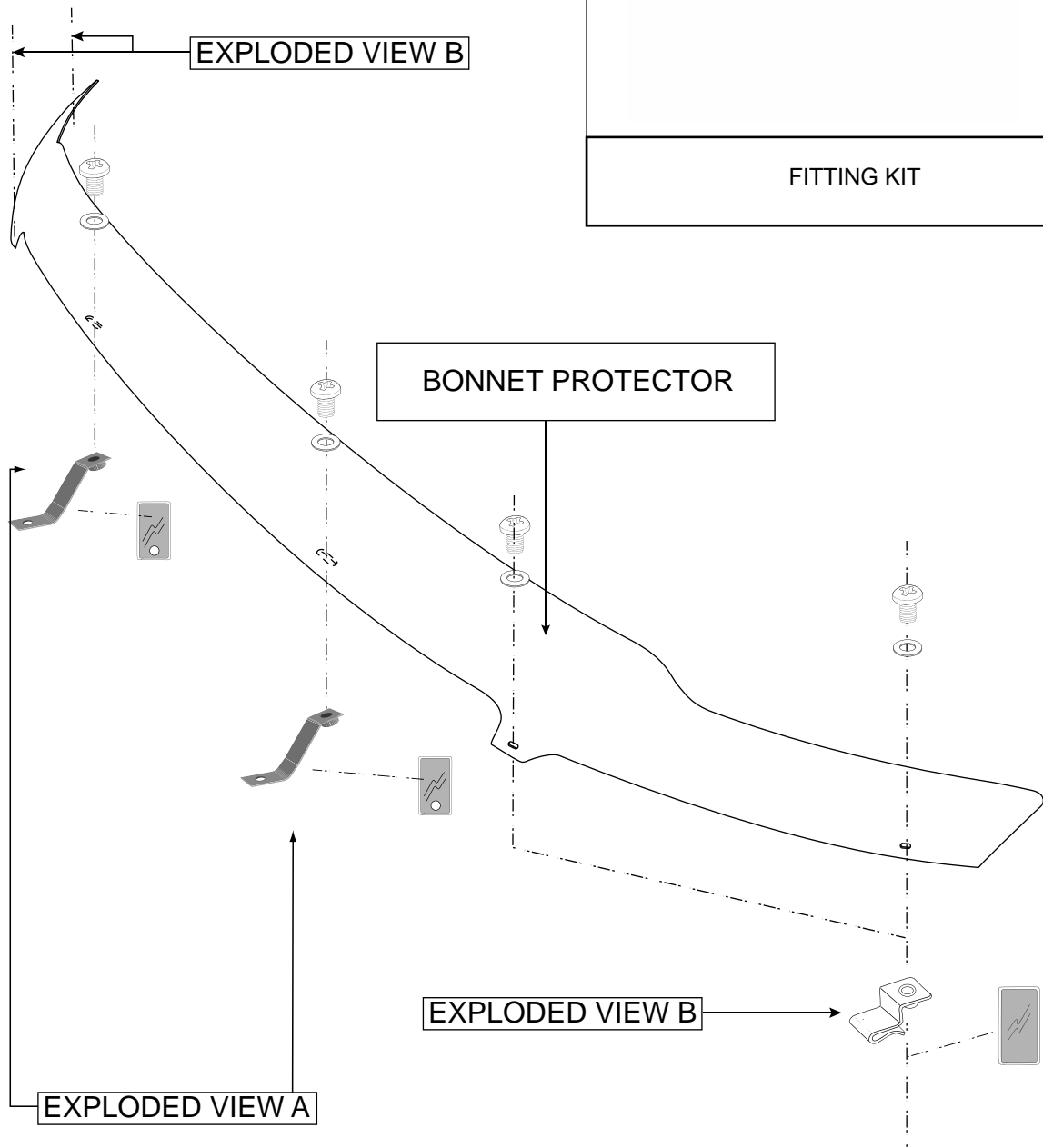


x 6 WASHERS



x 6 ABRASIVE RESISTANT
TAPES

FITTING KIT



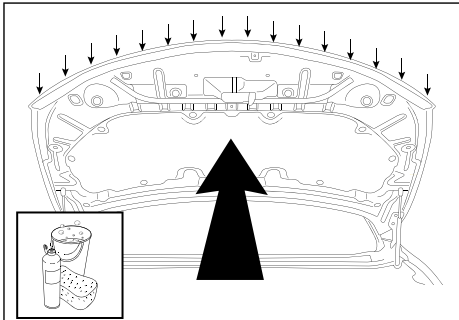


Diagram #: 1

1. Open & thoroughly clean and dry the bonnet. **See Dia #1.**

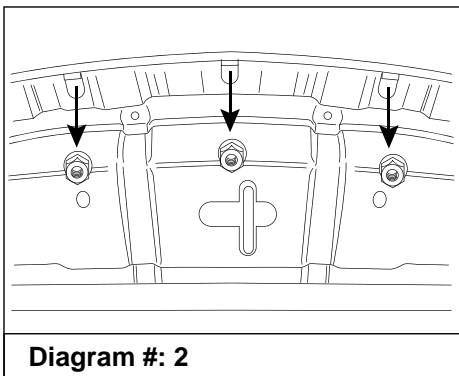


Diagram #: 2

2. Remove chrome bonnet trim by undoing the 7 chrome bonnet trim nuts. Do not discard the nuts. **See Dia #2.**

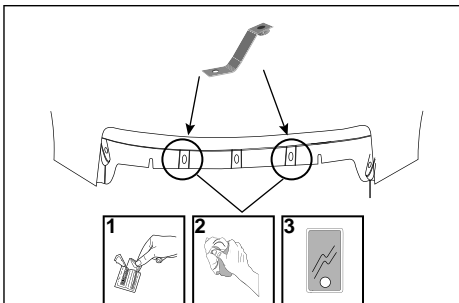


Diagram #: 3

3. Trial fit the centre metal clips to the holes either side of the centre hole. Take note where the clips make contact with the surface of the bonnet, remove the metal clip. Clean the previously marked areas on bonnet as shown with the alcohol wipe provided. Remove any residue with a dry clean cloth. Adhere the abrasive tape with holes aligned with the hole in the bonnet. Re-position the centre metal clips.

See Dia #3.

IMPORTANT: Ensure that the clips are positioned over abrasive resistant tape and do not come in contact with any of the bonnet's paint work. Failure to do this may result in permanent paint damage.

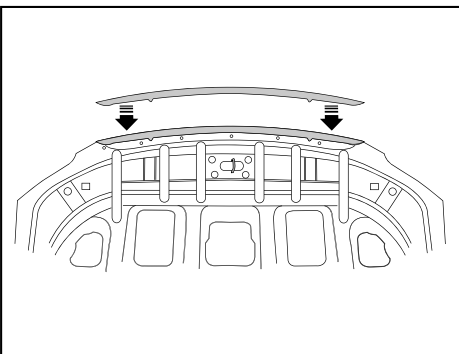


Diagram #:4

4. Re-fit and loosely secure the chrome bonnet trim with the previously removed nuts. **See Dia #4.**

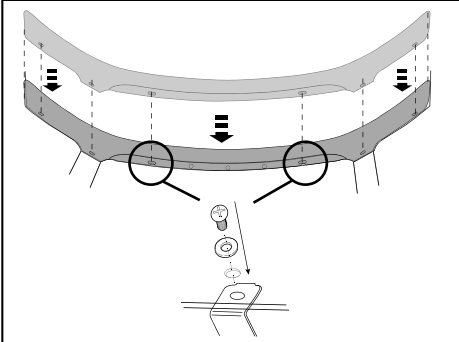


Diagram #:5

5. Install and secure the Bonnet Protector centrally to the centre metal clips with screws and washers. Do not tighten completely. **See Dia #5.**

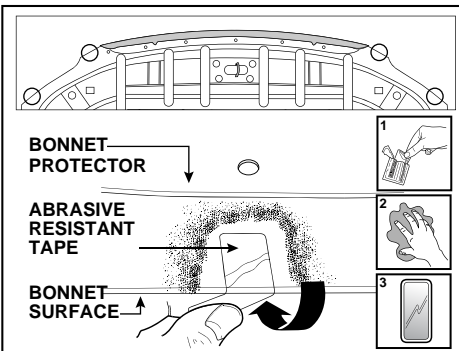


Diagram #:6

6. Note the areas under the wing clip hole locations and clean with the alcohol wipe provided. Wipe off any residue with a dry clean cloth. Adhere the abrasive resistant tape strips over the bonnet lip directly below the wing clip holes. Apply tape so approximately half of each strip is adhered to the top side and half is adhered to the underside of bonnet. **See Dia #6.**

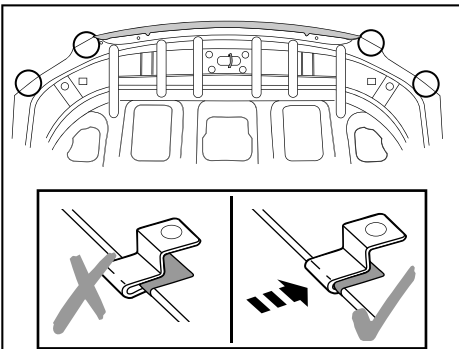
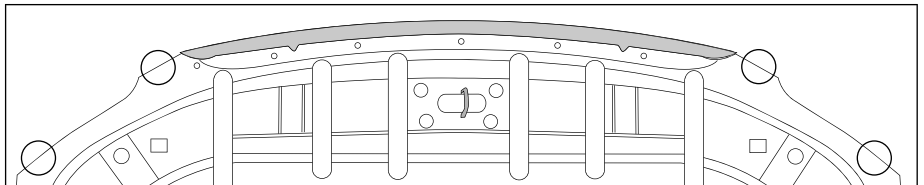


Diagram #:7

7. Push the metal wing clips onto bonnet locating the metal wing clips over the abrasive resistant tape strips on the bonnet lip, as shown. **See Dia #7.** **IMPORTANT: Ensure that the clips are positioned over abrasive resistant tape and do not come in contact with any of the bonnet's paint work. Failure to do this may result in permanent paint damage.**

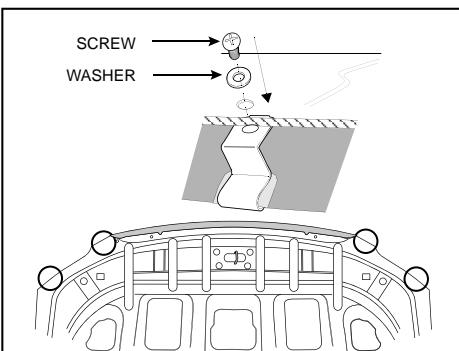


Diagram #:8

8. Secure the Bonnet Protector loosely to the metal wing clips with the screws and washers provided. **See Dia #8.** With all screws still loose, ensure Bonnet Protector is aligned centrally & gently tighten all screws, including the chrome bonnet trim retaining nuts. **TO REMOVE:** Reverse the above procedure.

IMPORTANT: Conduct final inspection, ensuring all fasteners are tightened, and clips are correctly installed and not touching painted surfaces. Close bonnet and check clearances at all edges for interference and adjust if necessary.