

# BONNET GUARD

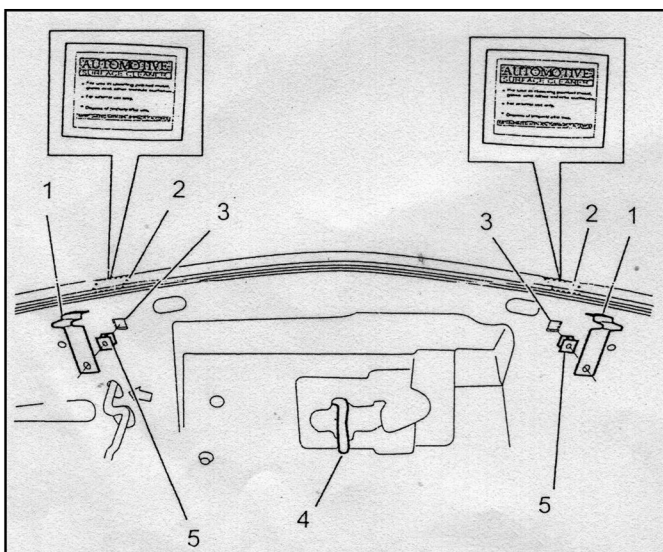
## INSTALLATION INSTRUCTIONS

### FOR: COLORADO 2012-2015

Tools Required: Screw driver, Cleaning and drying equipment.

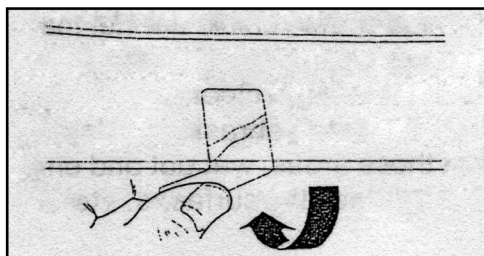
NOTE: Before installing the bonnet protector clean the bonnet on the inside front edge lip and the top surface of the bonnet. When clean ensure that the bonnet is completely dry before starting the installation.

- ①: Open the vehicle bonnet.
- ②: Fit the plastic screw plugs(5) into the square holes(3) each side of the bonnet catch.
- ③: Take the long fixing bracket(1) and position over the screw plug to identify the area where the clip contacts the edge of the bonnet.
- ④: Use the cleaning wipe supplied to clean and then wipe dry the areas where the clip will be fitted Refer to step 1



step 1

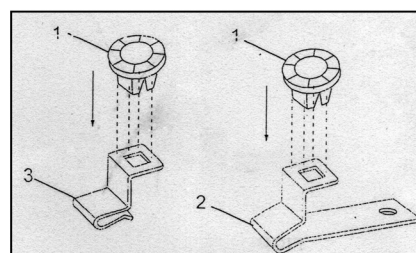
- ⑤: Peel off the backing from the large abrasion protection patch and apply the patch around the edge of the bonnet clip locations.
- ⑥: Wet out the abrasion resistant patch to ensure all the air is expelled from beneath the patch. Refer to step 2



step 2

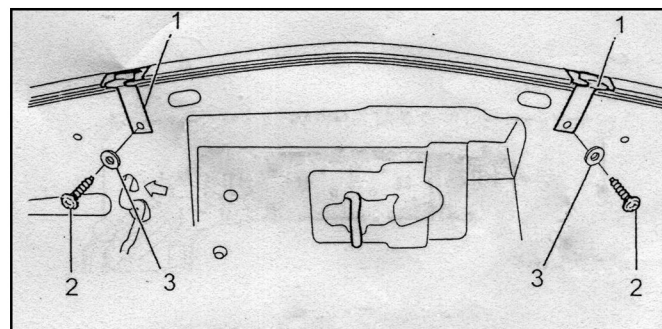
Description	Qty
Hood protector	1
Abrasive protection patch-small	2
Abrasive protection patch-large	6
Screw	6
Washer-small	6
Washer-large	2
Clip-short	4
Clip-long	2
Screw-long	2
Captive nut	6
Screw plug	2
Cleaning wipes	1
Instructions	1

- ⑦: Fit the captive nuts(1) into the 2 long bonnet protector retaining clips(2) and the 4 short bonnet protector retaining clips(3). Refer to step 3



step 3

- ⑧: Install the long clips(1) to the bonnet using the self tapping screws(2) and large washers (3) supplied, tighten until firm. Over tightening will strip the thread of the screw plug. Refer to step 4



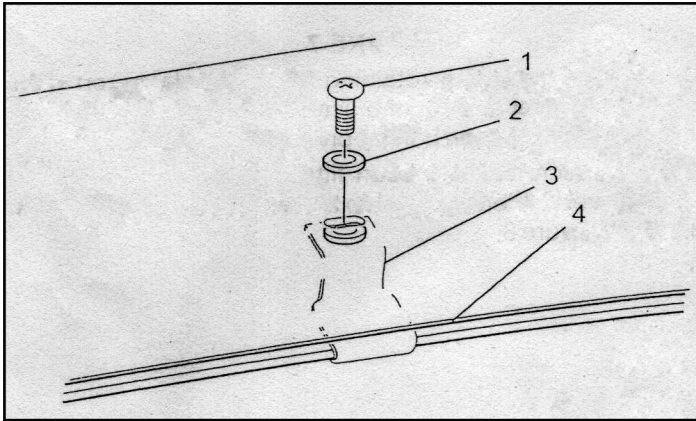
step 4

# BONNET GUARD

## INSTALLATION INSTRUCTIONS

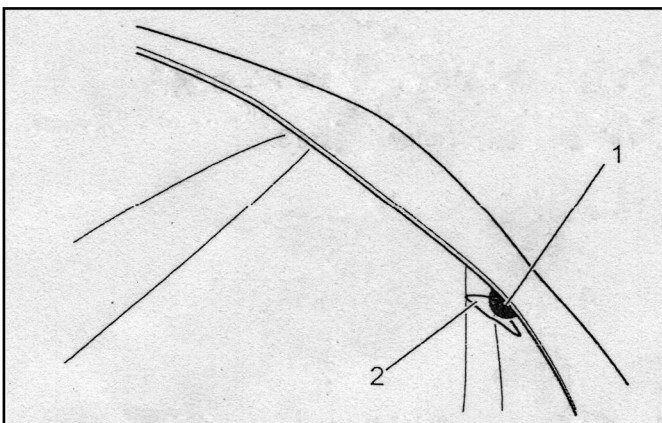
### FOR: COLORADO 2012-2015

- ⑨: Use 2 screws(1) and washers(2) to attach the bonnet protector to the long clips(3), check the alignment of the bonnet protector(4) on the vehicle bonnet and tighten until firm. Over tightening will strip the thread of the captive nut. Refer to step 5.



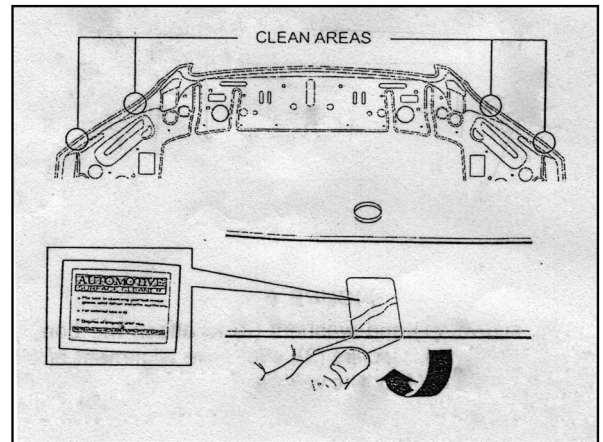
step 5

- ⑩: Identify the areas of the vehicle bonnet that will contact the 2 bump stops(1) on the bottom surface of the bonnet protector. Use the wipe to clean the areas and then dry the areas. Apply the small abrasion resistant patches(2) to the bonnet at those areas, wet out and ensure all the air is expelled from between the surfaces. Refer to step 6



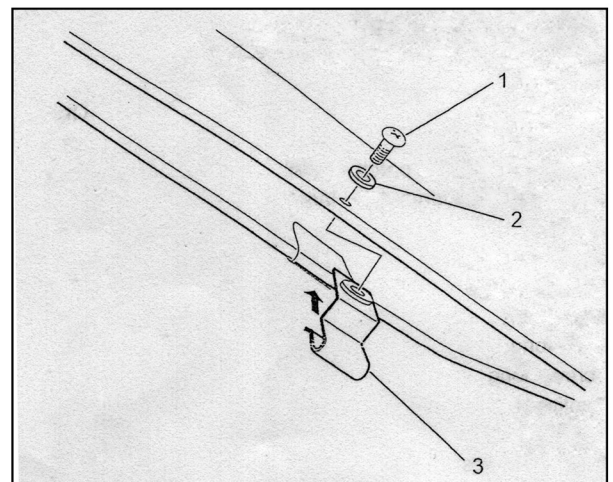
step 6

- ⑪: Use the 4 remaining screw holes in the bonnet protector to identify the areas where the remaining bonnet protector retaining clips will be installed and use the cleaning wipe to clean and dry the areas. Apply the large abrasion resistant patches around the edge of the bonnet at the 4 areas. Refer to step 7.



step 7

- ⑫: Push the short bonnet retaining clips(3) (4 places) on to the vehicle bonnet and use the screws(1) and washers (2) to attach the clips to the bonnet protector.
- ⑬: Once all screws have been fitted tighten all screws until firm. Over tightening will strip the thread of the captive nut. Refer to step 8.



step 8

- ⑭: Place fitting instructions in the vehicle glovebox.