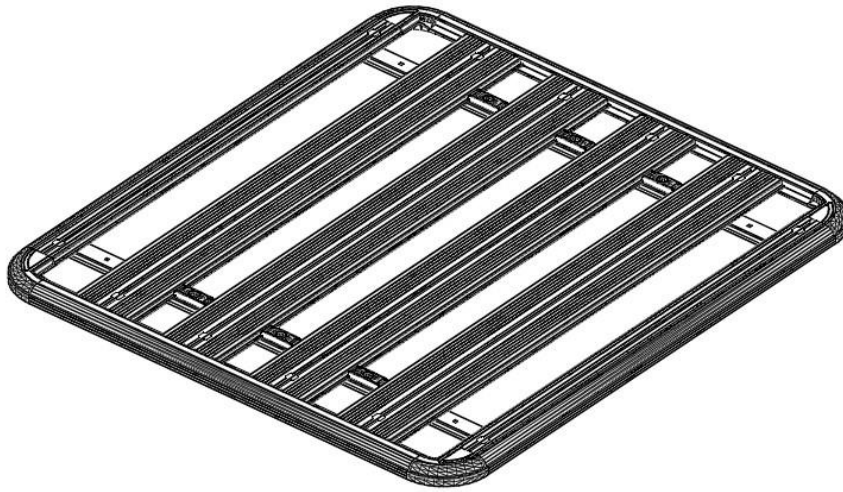




**Important:**

- Please read these instructions carefully prior to installation.
- Check the contents of this kit before commencing fitment and report any discrepancies.
- Do not use power tools. Only tighten with the provided allen key to avoid stripping the bolt heads or cross threading the bolts.
- Do not fully tighten bolts until the end of the assembly.
- Problems and losses which occur due to improper installation and use are not covered by our warranty
- All pictures in the instructions are for reference only, pictures may vary from product to product, however, the installation method is the same.
- Please check regularly if all fittings connected to the car are loose to ensure safe use.
- Place these instructions in the vehicle's glove box after installation is complete.

## Flat Roof Platform SKU: 20810A, 20811 or 20812



**Maximum carrying capacity: 150kg** including the weight of the rack system.

Please refer to your vehicle handbook for maximum carrying capacity – many dual cab utes are roughly around 85kg carrying capacity. Always use the lower the lower of the two figures. Load must be evenly distributed over the entire basket.

**Recommendations:** It is essential that all bolt connections are checked after driving a short distance when you first install your roof racks. Bolt connections should be checked at regular intervals (once a week is enough, depending on road conditions, usage, loads and distance travelled). You should also check the roof racks each time they are re-fitted. Always make sure to fasten your load securely. Please also ensure that the centre of gravity is kept as low as possible. Contents must be entirely contained within the extents of the roof racks. Rack system should be removed when using an automatic car wash.

**Off-road use:** Our racks can be used in off road applications, however a safety factor of 1.5 is enforced. That is, maximum permissible off-road load is **100kg**. Extreme care must be taken in off road conditions

**Note for Dealers and Fitters:**

Please ensure that fitting instructions are given to the end user or client.

These instructions remain the property of Bossco Auto Parts & Accessories Pty Ltd and may not be used or changed for any other purpose than intended.

### Installation Video

<https://youtu.be/zhugLkbnNo8>

Follow us on our youtube channel for more installation tips and content. Share your rig with us and we'll share it on our social medias!



@bosscoautoofficial



@bossco4x4

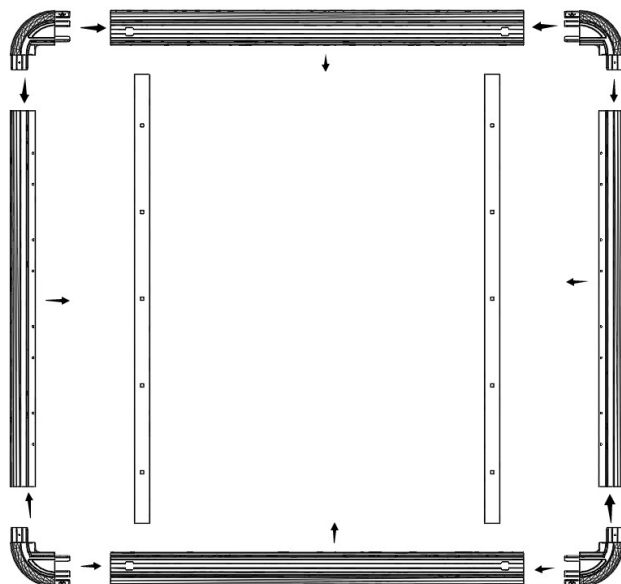
# Assembly

## 1- Parts List:

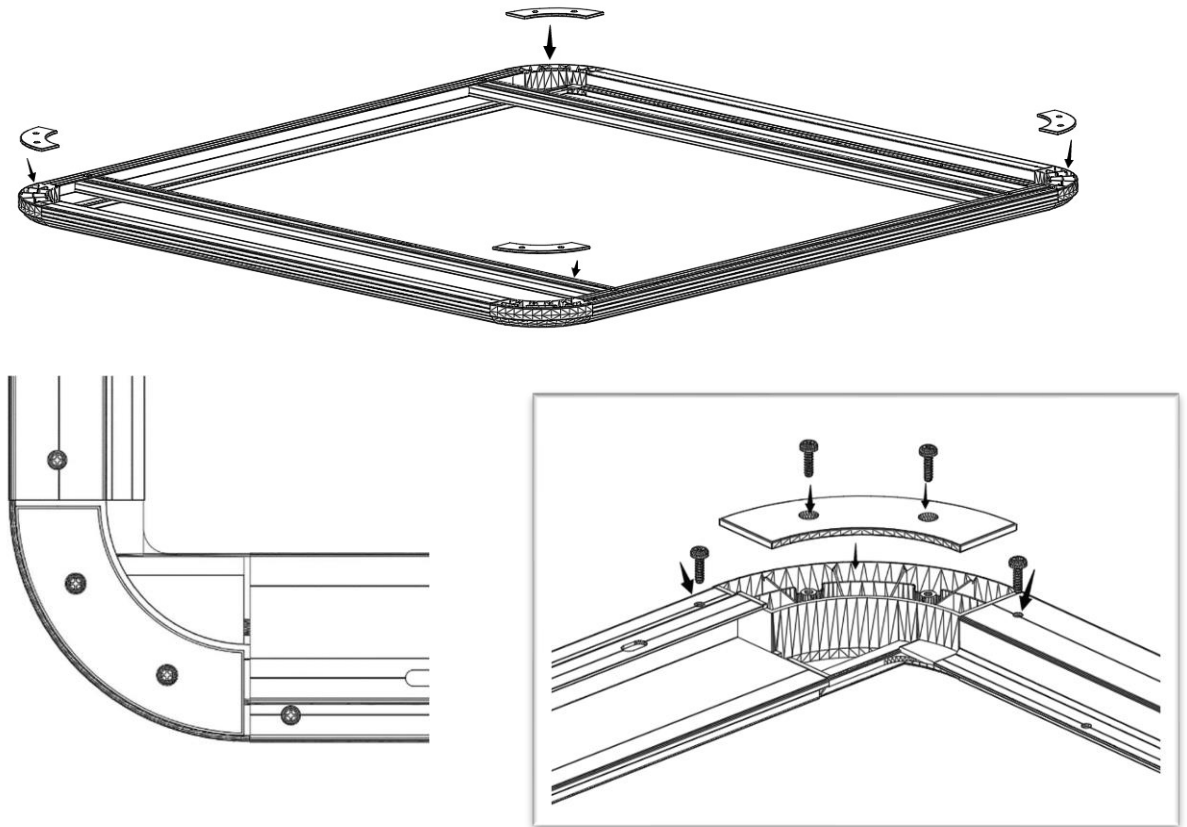
NO.	NAME	QTY	SPEC	NO.	NAME	QTY	SPEC
[1]	FRONT/REAR BAR	2	Front and rear are the same	[8]	M6*20 ALLEN KEY HEAD BOLT	10	M6*20mm
[2]	SIDE BARS	2	Both bars are identical	[9]	M8*20 ALLEN KEY HEAD BOLT	4	M8*20mm
[3]	MIDDLE BAR	4	All 4 middle bars are identical	[10]	SHORT PHILLIPS HEAD SCREW	10	7mm
[4]	CROSS BAR	2	Both cross bars are identical	[11]	LONG PHILLIPS HEAD SCREW	16	15mm
[5]	PLASTIC SPACER	10	All plastic spacers are identical	[12a]	M6 SPRING WASHERS	10	M6
				[12b]	M8 SPRING WASHERS	4	M8
[6]	END CAP	4	All end caps are identical	[13a]	M6 FLAT WASHERS	10	M6
				[13b]	M8 FLAT WASHERS	4	M8
[7]	END HEAD COVER	4	All end head covers are the same	[14]	CAGE NUTS	12	10
				[15]	SLIDING CHANNEL NUTS	4	M8

### Aluminium Roof Platform Assembly Instructions

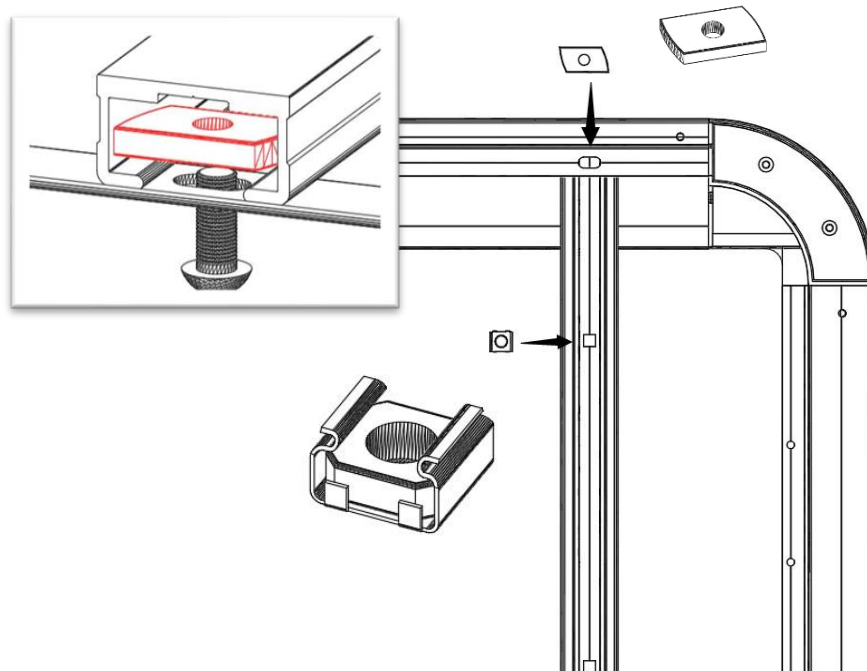
1. Prepare all parts for installation. It is recommended to start assembling loosely with the product upside-down.



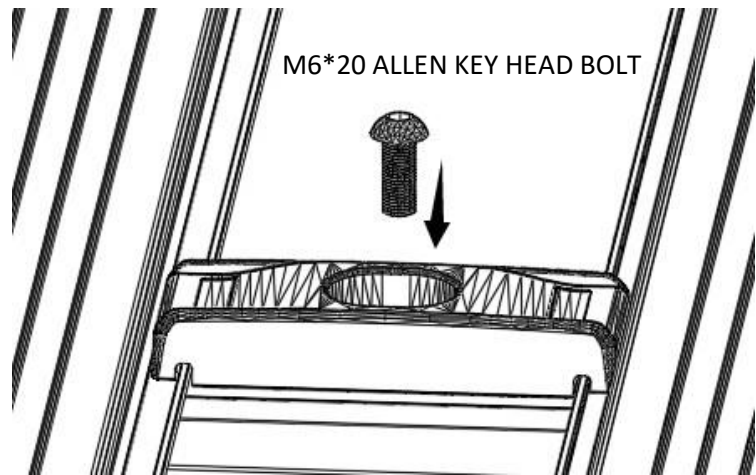
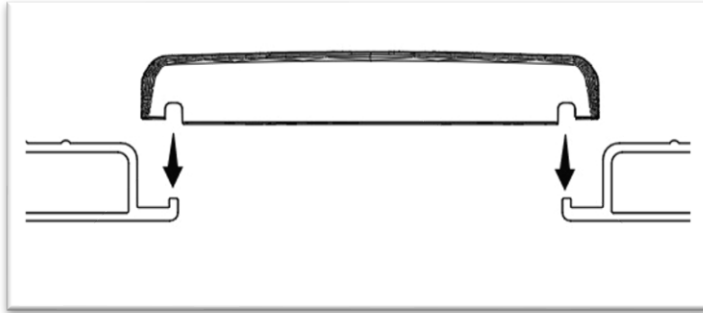
1. Connect the front/rear bars [1] with the side bars [2] using the provided end caps. Make sure the slotted holes on the bars are facing upwards.
2. Using the 15mm Phillips head long screws, attach the flat end head covers over the corner pieces. You will need 4 per corner.



3. Secure the 2 cross bars [4] to the front/rear bar with the sliding channel nuts [15] and M8\*20mm Allen key head bolts [9], M8 Spring Washers [12b] and M8 Flat Washers [13b]. The side with the open channel should be facing upwards (the channel will be facing downwards once installed on the roof).
4. Insert the silver cage nuts [14] into the square slots in the cross bars.



5. Flip over the roof platform. Carefully place and align all 4 middle bars [3] perpendicular to the cross bars along the slotted holes and hand tighten with the provided 7mm Phillips head short screws [10]. Repeat for all 4 middle bars.
6. Bolt on the plastic spacers between the 4 middle bars using the provided M6\*20 Allen key head bolts [8], M6 Spring Washers [12a] and M6 Flat Washers [13a]. Make sure that the lip of the middle bars sits in the slots of the plastic spacers.



7. Flip the roof platform over. Using the 7mm Phillips head short screws, secure the 4 middle bars to the outer edges of the platform.
8. Fully tighten all bolts - start with the plastic spacers then flip over and tighten the rest. For an even finish, make sure to align all bolts in the middle of the slotted holes before tightening.

## Parts List

NO.	QTY	IMAGE	NO.	QTY	IMAGE	
[1]	1	<p>Roof Tray/Basket</p> 	[8]	8	<p>M6*40mm Socket Head Cap Screw</p> 	
[2]	4	<p>Backbone bracket</p> 	[9]	4	<p>M8*30mm Socket Head Screw</p> 	
[3]	4	<p>Triangle Base Brackets</p> 	[10]	4	<p>M8*20mm Hex Bolt</p> 	
[4]	4	<p>Full Spacers</p> 	[11a]	8	<p>M6 Spring Washers</p>	
			[11b]	8	<p>M8 Spring Washers</p>	
[5]	4	<p>Half Spacers</p> 	[12a]	8	<p>M6*12mm Flat Washers</p>	
			[12b]	8	<p>M6*18mm Flat Washers</p>	
			[12c]	8	<p>M8*20mm Flat Washers</p>	
[6]	16	<p>Sliding Channel Nuts</p> 	[13a]	8	<p>M6 Serrated Flange Nut</p>	
			[13b]	4	<p>M8 Serrated Flange Nut</p>	
[7]	8	<p>M8*15mm Rubber Flat Washers</p> 	[14]	1	<p>Instruction Manual</p>	

## Backbone & Aluminium Roof Platform Instructions

1. Please see 'special cars' list below for any extra notes specific to your car.
2. Access behind roof lining by pulling down door trim rubber. You may have to uninstall grab handles and/or sun visors to give sufficient access into roof lining. You only need about 1 hand's depth up to where the black rubber roof moulding would be.
3. Check under the roof (where drilling will take place) for obstructions such as grab handle mounts, airbags or centre light wires.
4. Assemble [2] backbone bracket with [3] triangle base brackets loosely attached using the [9,11b,12c,13b] M8\*30 Socket Head bolt and nuts.
5. Using the assembled backbone bracket, find a suitable spot clear of obstructions for drilling. Make sure to check for windscreen overhang and antenna position.
6. Mark holes and drill 2x M6 holes using the [3] triangle base bracket as a template.
7. Vacuum out drill shavings.
8. Apply some paint or anti-rust to exposed metal surface.
9. Squeeze Sikaflex 227 on and around drilled holes.
10. Disassemble backbone bracket and install lower triangle brackets. Pushing the (8,11a,12b) M6\*30 bolt through the layer of Sikaflex will help spread it around the hole and saturate the thread of the bolt. This will prevent water leaks. The [13a] M6 flange nuts go on the inside of the car roof lining. No washers are used as the flange nut must bite into metal to secure tightly.
11. Reassemble backbone bracket using [9,11b,12c,13b] M8\*30 Socket Head bolt and nuts.
12. Loosely thread the M8\*20 Hex Bolts [10, 11b, 12c] into the sliding channel nuts at each of the 4 top holes of the backbone brackets. This is what connects the roof platform to the backbone.
13. Rest roof tray/basket on backbone and line up the previously assembled sliding channel nuts into the Cross Bars of the platform. As you tighten the bolt & channel nut assembly, the rounded edge will allow the channel nut to turn sideways and tightly lock the platform into place. A small screwdriver may be useful to help turn the channel nut.
14. Tighten all bolts starting with the bolts in the roof and working your way up.
15. Complete

### Special cars:

Car	Special instructions
Mitsubishi Triton MQ, MR 2015+	<ul style="list-style-type: none"> <li>- Use factory mounting holes hidden under black rubber roof moulding</li> <li>- 1x M8 bolt per triangle base bracket (separately packaged)</li> <li>- Drilling an M8 sized hole in the rubber trim allows for cleaner install (the way we recommend). Make sure to cut out thin aluminium piece running inside trim to allow for a clean hole to be drilled</li> <li>- Use the 2 closer holes on the backbone bracket as they are made to size</li> </ul>
Holden Colorado RG 12+	<ul style="list-style-type: none"> <li>- Some Colorado's have factory mounting holes. They are hidden under roof trim and may have some body paint covering it.</li> <li>- 1x M8 bolt per triangle base bracket (separately packaged)</li> <li>- There are 4 holes per side of the car. Our brackets use the 2 inner holes.</li> <li>- If there are no holes, new holes will have to be drilled</li> </ul>
Isuzu D-Max 12+	<ul style="list-style-type: none"> <li>- Some D-Max's have factory mounting holes. They are hidden under roof trim and may have some body paint covering it.</li> <li>- 1x M8 bolt per triangle base bracket (separately packaged)</li> <li>- There are 4 holes per side of the car. Our brackets use the 2 inner holes.</li> <li>- If there are no holes, new holes will have to be drilled</li> </ul>
Volkswagen Amarok	<ul style="list-style-type: none"> <li>- Uses factory mounting holes inside 'pop off' section</li> <li>- 1x M6 bolt &amp; 1x 3-nut-plate per triangle base bracket (separately packaged)</li> <li>- 3-nut-plate is used a spacer to fill void in the roof so that the base bracket can sit flush. Base bracket is not able to sit inside the void by itself. The bolt does not</li> </ul>

	thread into the 3-nut-plate.
Toyota Hilux 2015+	<ul style="list-style-type: none"><li>- This car has a very narrow roof moulding. If you were to remove the roof moulding and try to fit the triangle base bracket in the gap, it would not fit.</li><li>- The solution is to make a hole in the roof moulding and sit the triangle base bracket on top of the roof moulding so that it is raised up and flush with the roof. This also looks a lot neater and cleaner.</li><li>- A bit of clear 3M tape is recommended so that the edge of the triangle base bracket is not scratching the paint</li></ul>