



INSTRUCTION MANUAL

MODEL NO.:217820

PRODUCT DESCRIPTION: TONNEAU COVER-COMPATIBLE LOADED SPORTS BAR WITH ROOF BASKET

1、 Notes:

- ①All pictures in the instruction manual are for reference only. The pictures may be different from the real products, but the installation method is the same.
- ②For security, please check regularly whether all accessories connected well with the car before driving.

2、 Parts List : (The following parts do not include standard car installation parts)

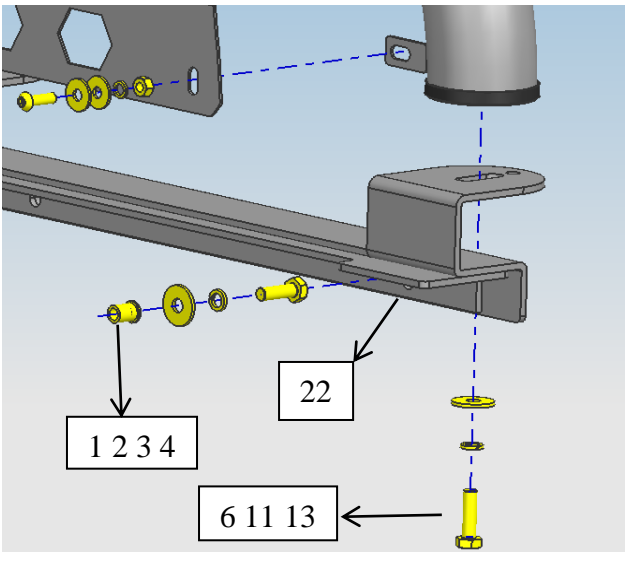
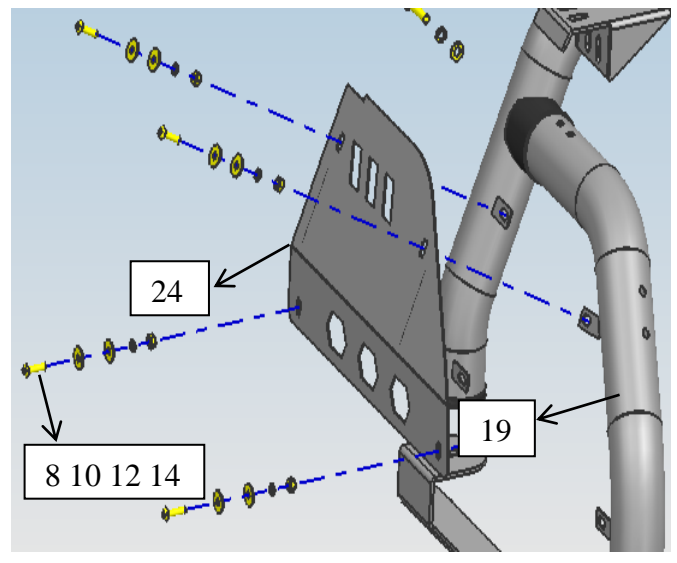
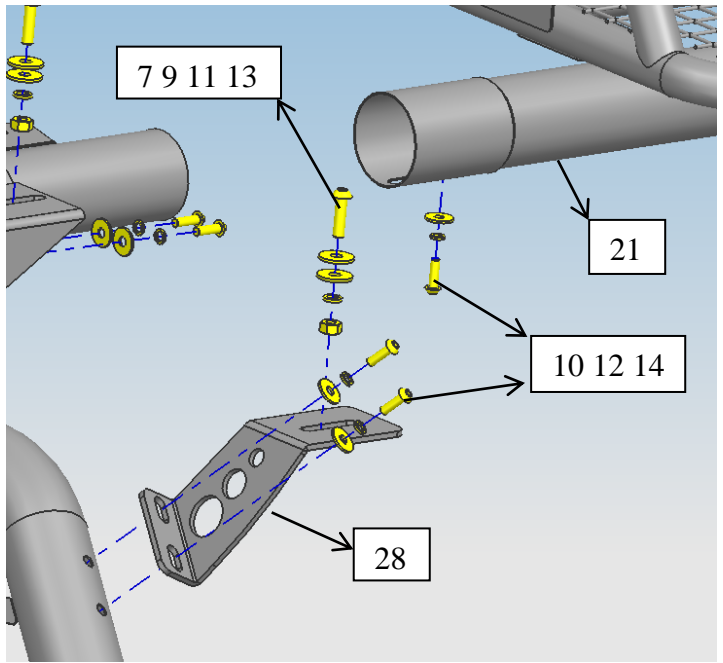
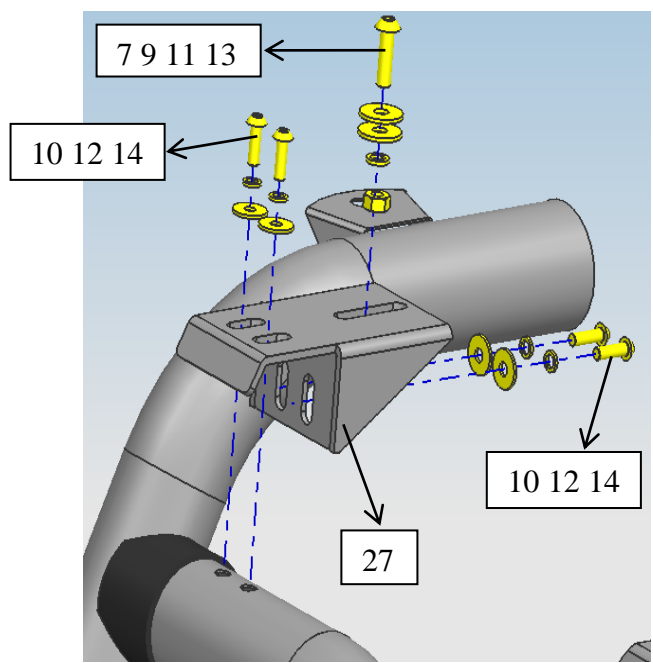
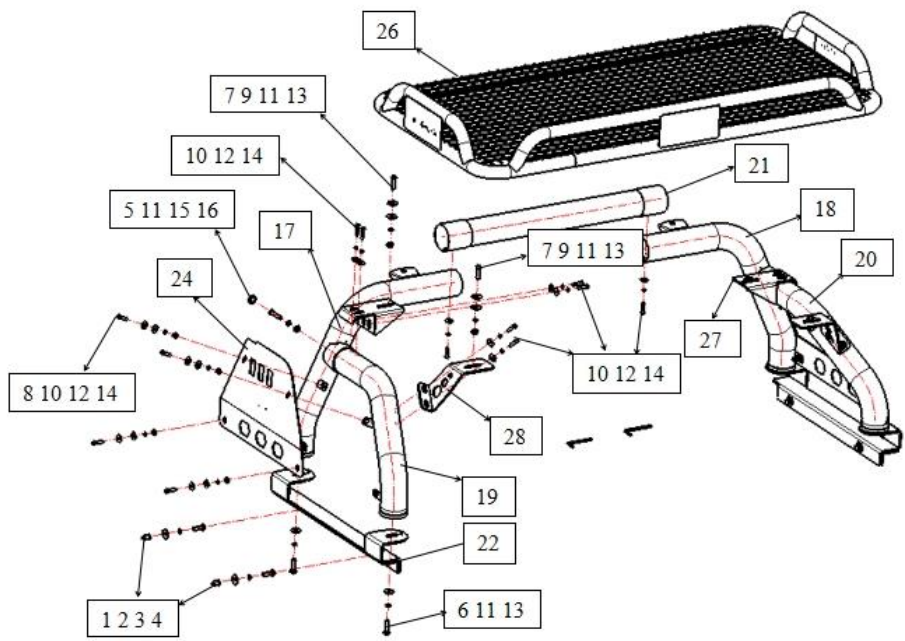
SN.	NAME	QTY.	SPEC.	SN.	NAME	QTY.	SPEC.
1	HEXAGON HEADED BOLT	4	M10*30	17	FRONT BAR (LEFT)	1	
2	SPRING WASHERS	4	D10	18	FRONT BAR (RIGHT)	1	
3	BIG FLAT WASHER	4	D10	19	SIDE ELBOW (LEFT)	1	
4	FLAT HEAD RIVET NUT	4	M10*18	20	SIDE ELBOW (RIGHT)	1	
5	INNER HEXAGON FLAT HEAD SCREW	2	M10*50	21	76 TUBE	1	
6	HEXAGON HEADED BOLT	4	M10*35	22	BASE (LEFT)	1	
7	HEXAGON NUT	4	M10	23	BASE (RIGHT)	1	
8	HEXAGON NUT	8	M8	24	SIDE PLATE (LEFT)	1	
9	INNER HEXAGON FLAT HEAD SCREW	4	M10*35	25	SIDE PLATE (RIGHT)	1	
10	INNER HEXAGON FLAT HEAD SCREW	22	M8*30	26	BASKET	1	
11	SPRING WASHERS	10	D10	27	CONNECTING BRACKETS 1	2	
12	SPRING WASHERS	22	D8	28	CONNECTING BRACKETS 2 (LEFT)	1	
13	BIG FLAT WASHER	12	D10	29	CONNECTING BRACKETS 2 (RIGHT)	1	
14	BIG FLAT WASHER	30	D8	30	SOCKET HEAD WRENCH	1	S=5
15	WASHERS	2	D10	31	SOCKET HEAD WRENCH	1	S=6
16	Φ 22 RUBBER PLUG	2					

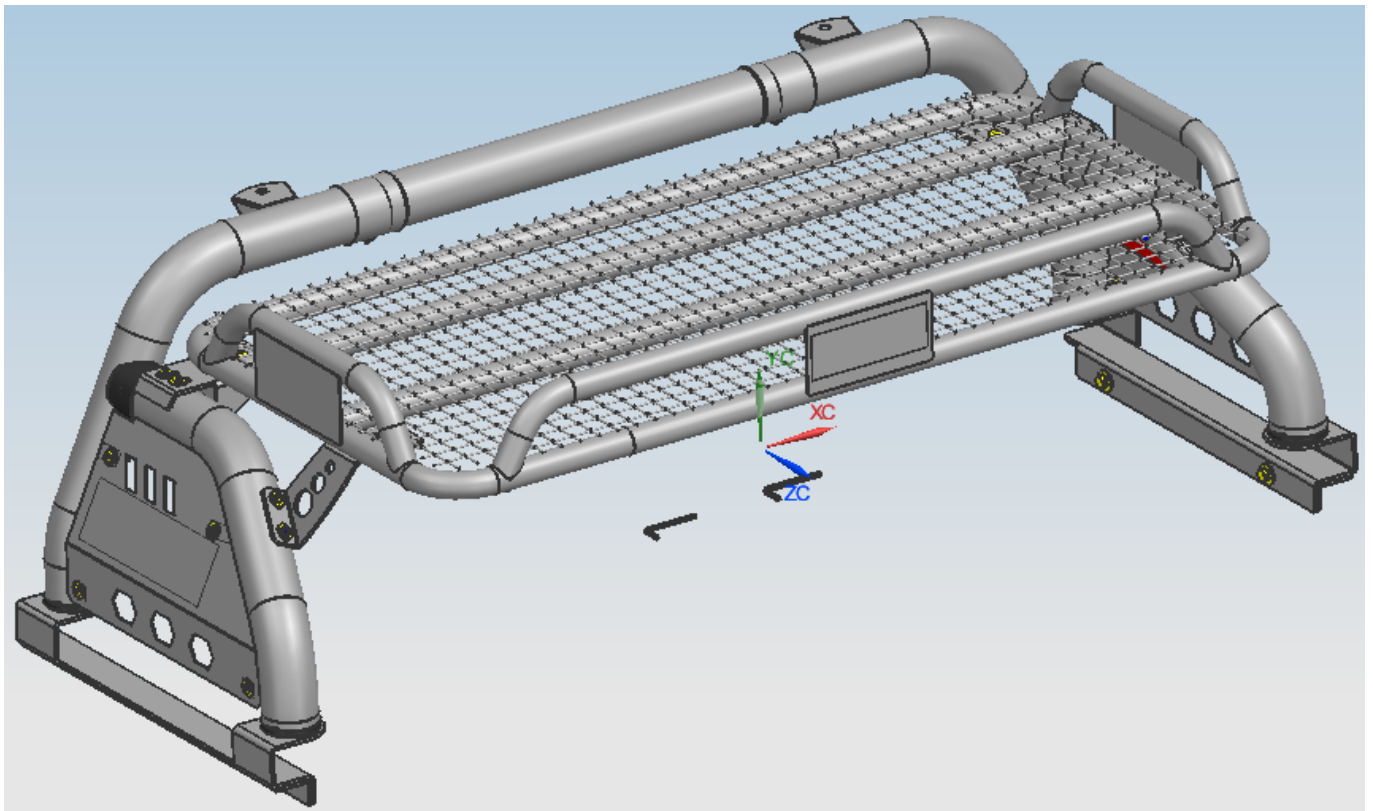
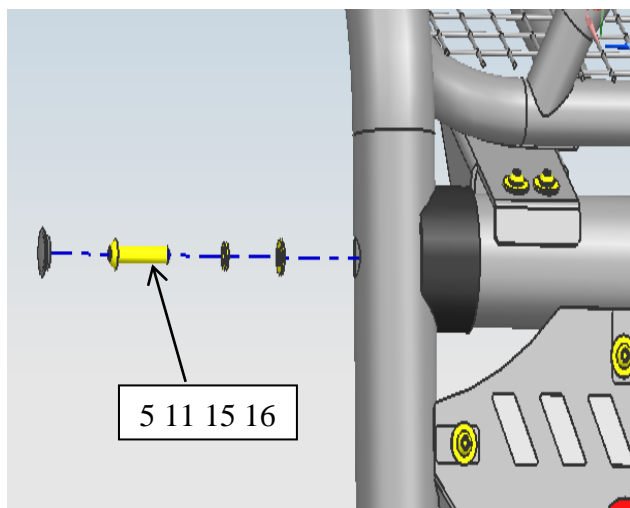
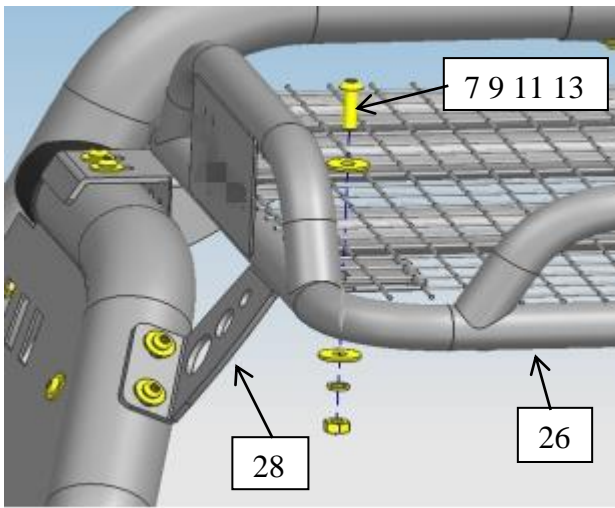
3、 Installation Procedure:

Step 1: Check whether the accessories are complete by referring to the accessory list and installation drawing.

Step 2: As shown in the drawing, tighten the bar with bolts.

Step 3: Check whether the bolts are miss and all bolts are tightened.





4、 Disclaimer: The related problems and losses caused by improper installation and use are not covered by our warranty.