



INSTRUCTION MANUAL

MODEL NO.: 217823

PRODUCT DESCRIPTION: ADJUSTABLE WIDTH BLACK POWDER COATED
EXTENDED ROLL SPORTS BAR WITH BASKET

1、 Notes:

- ①All pictures in the instruction manual are for reference only. The pictures may be different from the real products, but the installation method is the same.
- ②For security, please check regularly whether all accessories connected well with the car before driving.

2、 Parts List : (The following parts do not include standard car installation parts)

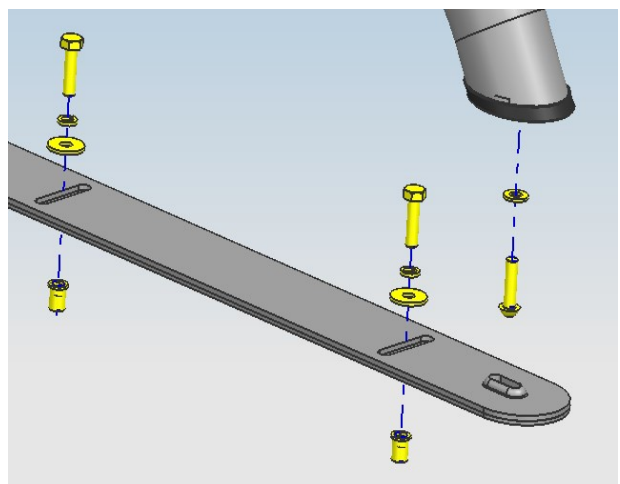
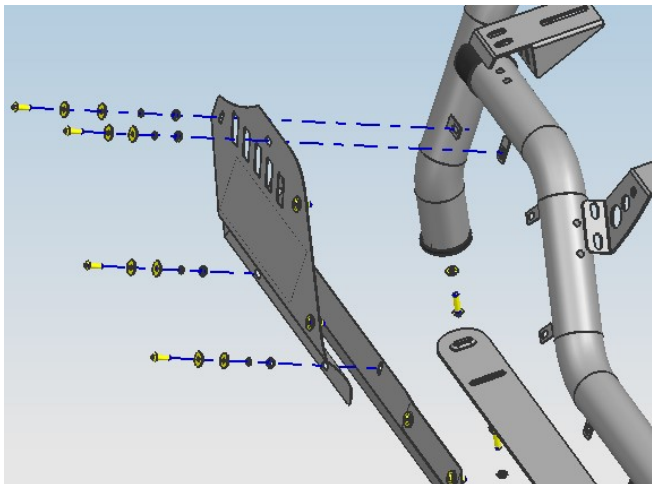
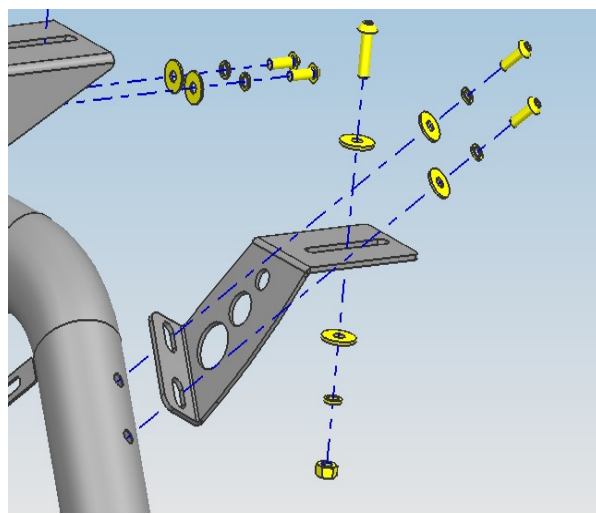
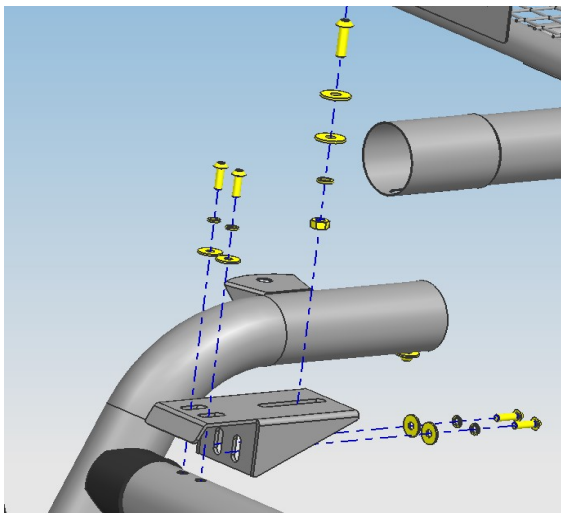
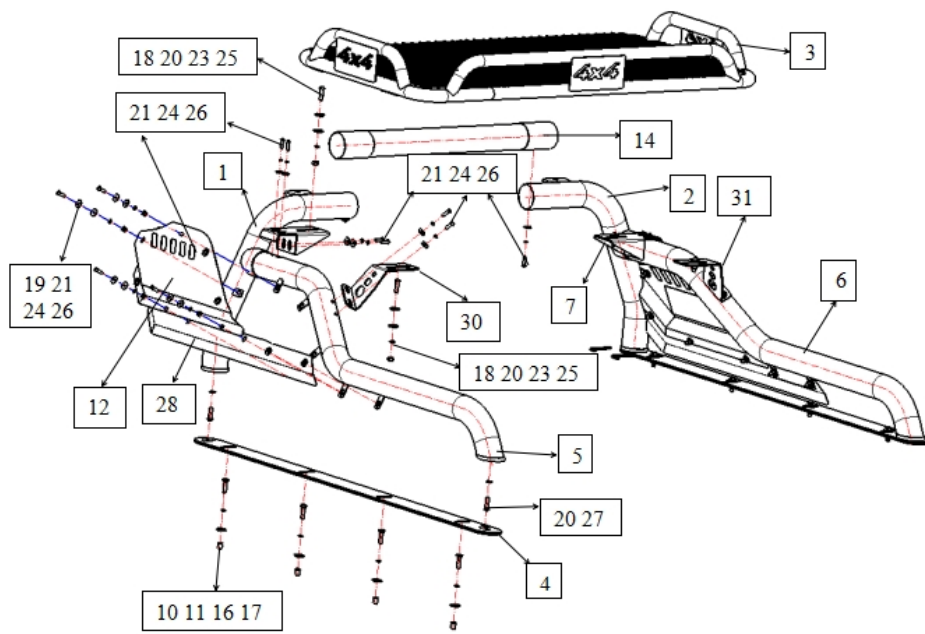
SN.	NAME	QTY.	SPEC.	SN.	NAME	QTY.	SPEC.
1	FRONT BAR (LEFT)	1		17	FLAT HEAD RIVET NUT	8	M10*18
2	FRONT BAR (RIGHT)	1		18	HEXAGON NUT	4	M10
3	BASKET	1		19	HEXAGON NUT	18	M8
4	BASE	2		20	INNER HEXAGON FLAT HEAD SCREW	8	M10*35
5	SIDE ELBOW (LEFT)	1		21	INNER HEXAGON FLAT HEAD SCREW	32	M8*25
6	SIDE ELBOW (RIGHT)	1		22	INNER HEXAGON FLAT HEAD SCREW	2	M10*50
7	CONNECTING BRACKETS 1	2		23	BIG FLAT WASHER	8	D10
8	SOCKET HEAD WRENCH	1	S=5	24	BIG FLAT WASHER	50	D8
9	SOCKET HEAD WRENCH	1	S=6	25	SPRING WASHERS	6	D10
10	HEXAGON HEADED BOLT	8	M10*35	26	SPRING WASHERS	32	D8
11	SPRING WASHERS	8	D10	27	WASHERS	6	D10
12	SIDE PLATE 1 (LEFT)	1		28	SIDE PLATE 2 (LEFT)	1	
13	SIDE PLATE 1 (RIGHT)	1		29	SIDE PLATE 2 (RIGHT)	1	
14	76 TUBE	1		30	CONNECTING BRACKETS 2 (LEFT)	1	
15	Φ22 RUBBER PLUG	2		31	CONNECTING BRACKETS 2 (RIGHT)	1	
16	BIG FLAT WASHER	8	D10				

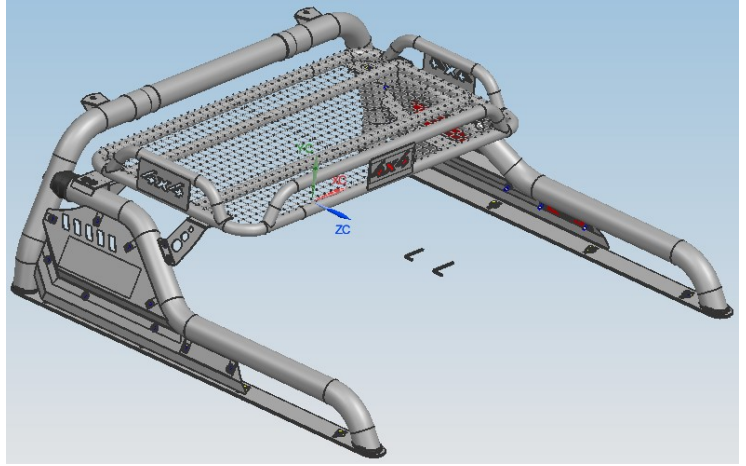
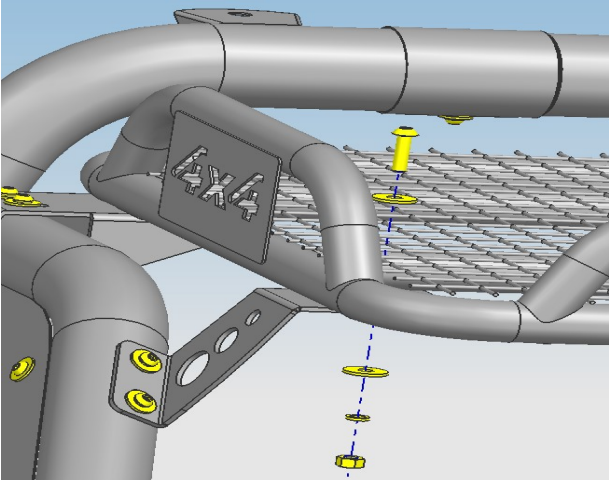
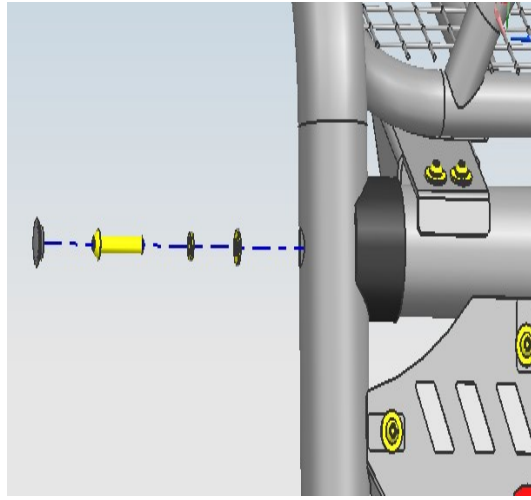
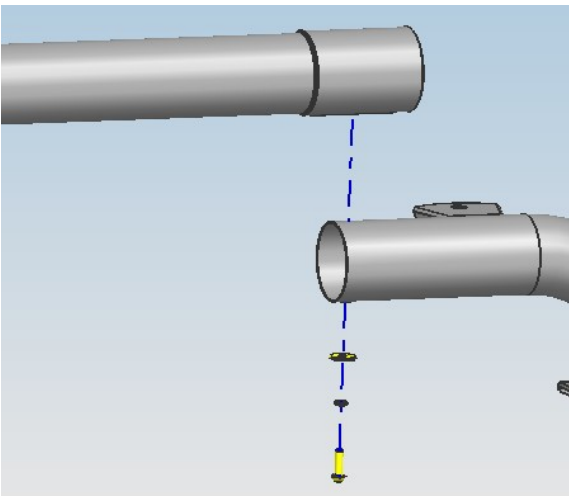
3、 Installation Procedure:

Step 1: Check whether the accessories are complete by referring to the accessory list and installation drawing.

Step 2: As shown in the drawing, tighten the bar with bolts.

Step 3: Check whether the bolts are miss and all bolts are tightened.





4、 Disclaimer: The related problems and losses caused by improper installation and use are not covered by our warranty.