

SKU:275968

TO SUIT TOYOTA HILUX
10/2011-2015



- Bossco 4x4 Bull Bar to suit a Toyota Hilux 10/2011-2015
- It will take about 3 hours to install
- All bolts, washers, spring washers and nuts are supplied unless otherwise indicated
- All drilled holes must have anti-corrosion treatment applied

NOTE: This product has been tested for air bag compatibility and therefore the mounting system MUST NOT BE modified

IMPORTANT: Bull Bar installations should only be done by a qualified person and it is the responsibility of this person to ensure correct fitment

Installation Guide

1. Before installation check bull bar application is compatible with your vehicle. Before making any cuts, please refer to bumper cutting instructions applicable to your vehicle model.
2. Remove all mounting hardware holding lower section of front bumper bar to vehicle. Remove flares from bumper bar if fitted.
3. Using template as a guide, mask a cut line across bumper bar as shown.



4. Cut along line and remove lower section of bumper.

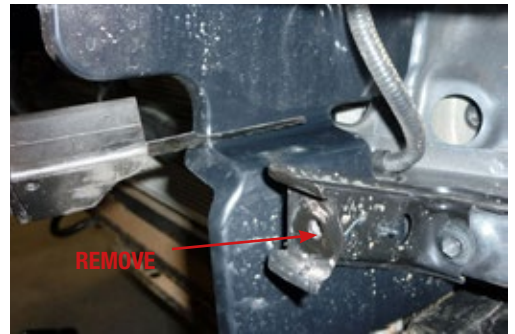


Installation Guide

5. Remove bumper bar reinforcement.



6. Remove four bumper support brackets and modify plastic air deflectors as shown.



7. Trim left hand plastic mud guard liner as shown.



Installation Guide

8. Trim right hand plastic mud guard liner as shown.



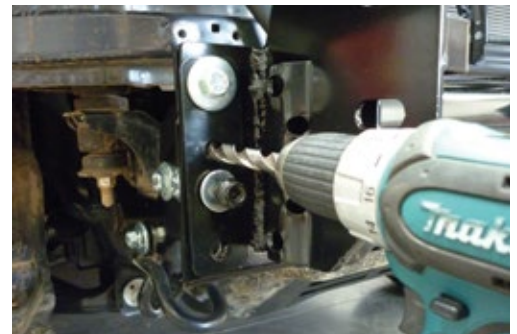
Secure using a modified original lower bumper support bracket as shown.



Bend bracket as shown.



9. Drill factory holes out to to 12.5mm and attach chassis bracket using hardware provided and tighten all bolts.



Installation Guide

10 Unwrap bull bar. Check over riders and light assemblies are tight in bull bar before installation.

11. Fit bull bar to chassis brackets using M12 bolts, flat washers, spring washers and nuts provided.

12. Once bull bar is aligned with vehicle and tightened, drill through pinning holes (circled in red) between bull bar and chassis bracket and secure with bolts, washers and nuts provided.

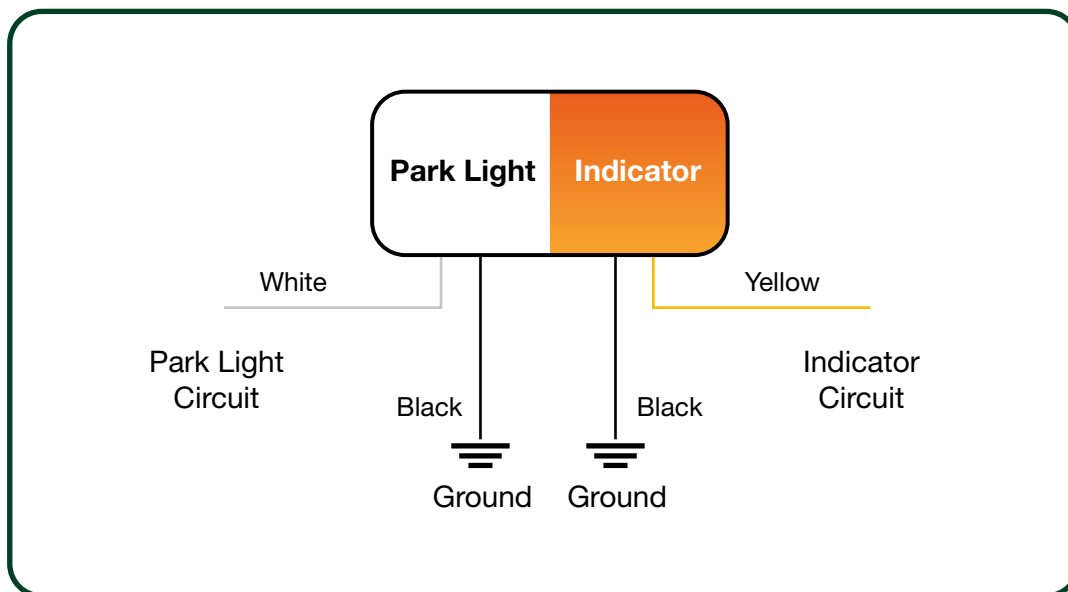
13. Connect park lights, indicators and fog lights as per wiring diagrams.

14. Fit protection plates underneath the bull bar using M8 bolts, spring washers and flat washers provided.

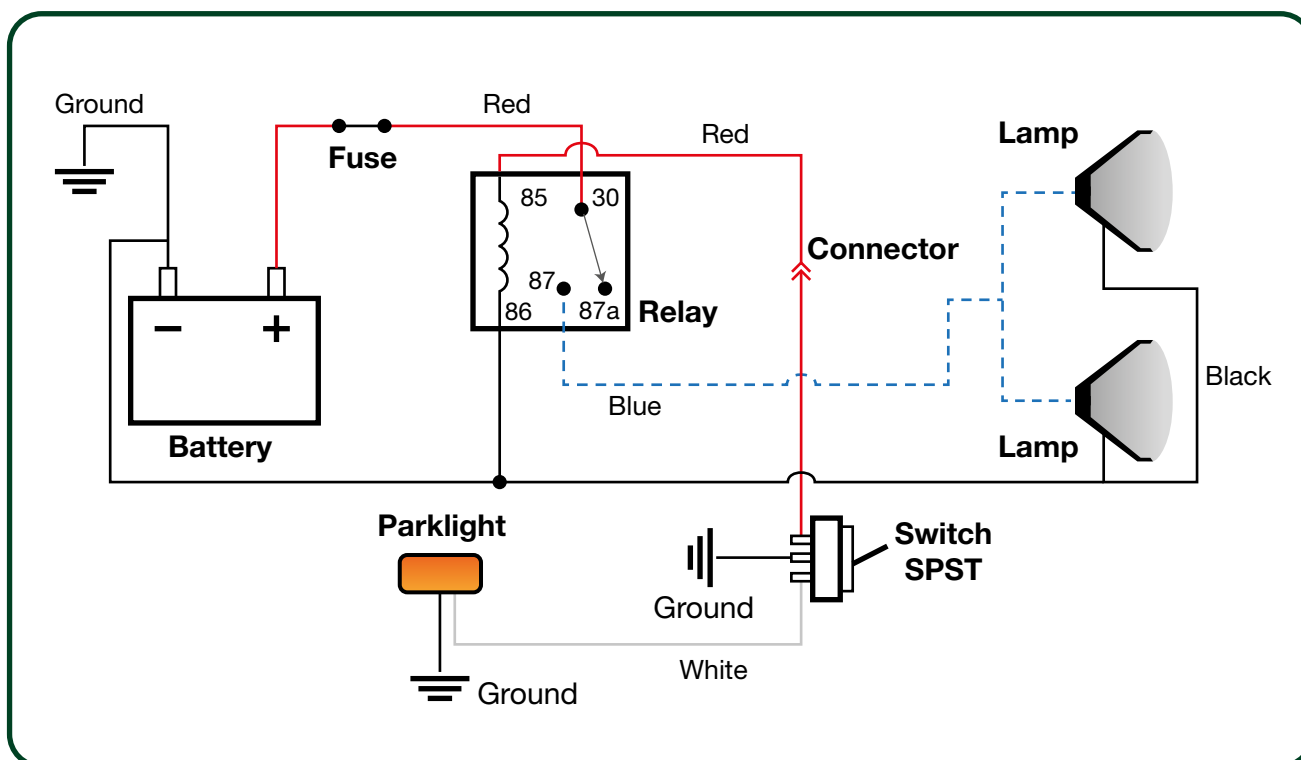


Wiring Diagrams

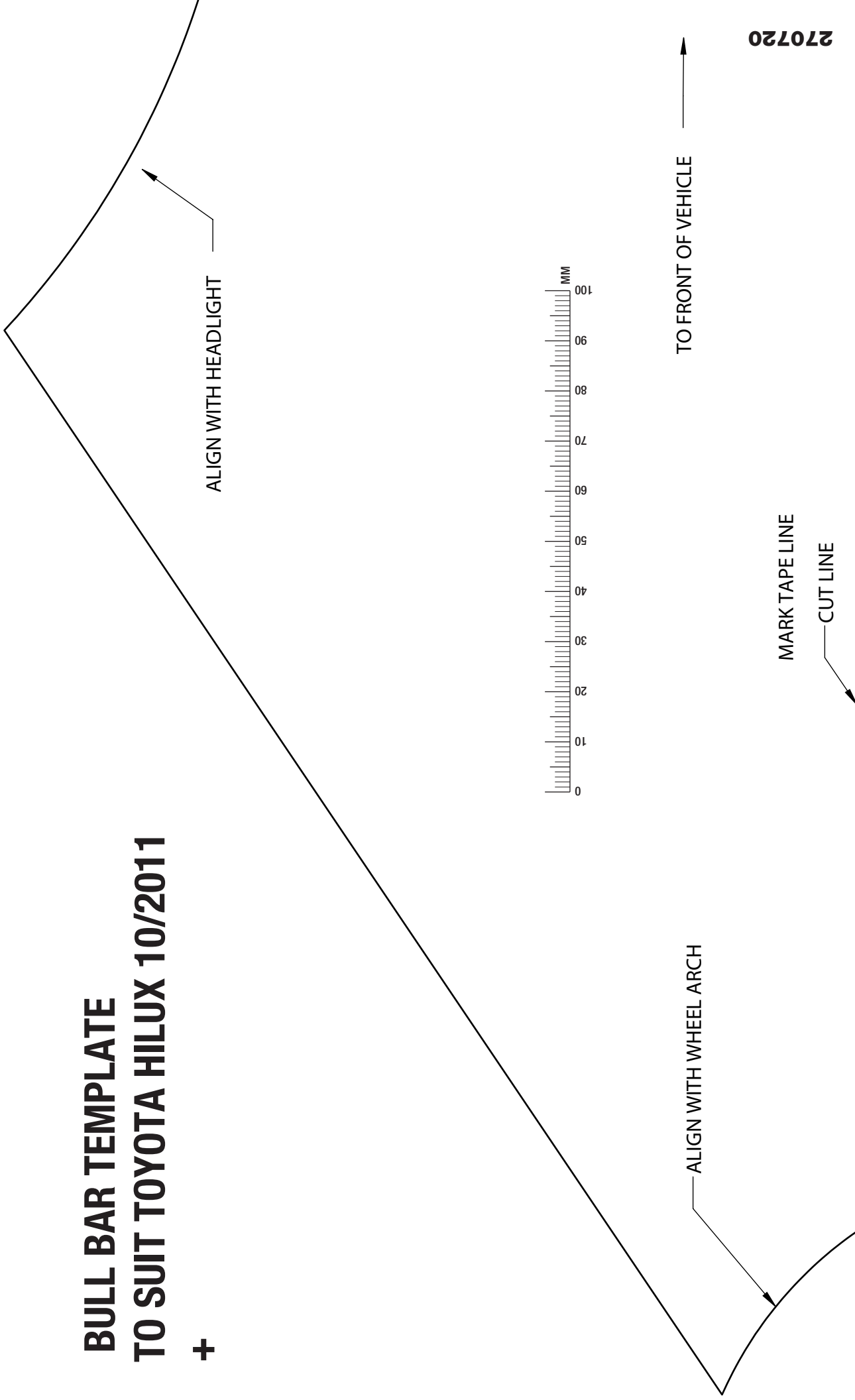
PARK LIGHT & INDICATOR



FOG LIGHTS



BULL BAR TEMPLATE TO SUIT TOYOTA HILUX 10/2011 +



**DISABLE PAGE SCALING WHEN PRINTING
CHECK RULER DIMENSIONS TO ENSURE ACCURACY BEFORE CUTTING**