



INSTALLATION GUIDE FOR NUDGE BAR WITH 125KG COMPLIANCE H-RACK SUITABLE FOR ISUZU D-MAX 2020-2023

SKU: 36432-36434-422701

Please Note:

Please read these instructions carefully prior to installation. Check the contents of this kit before commencing fitment and report any discrepancies. Do not use power tools. Only tighten with hand tools to avoid stripping the bolt heads or cross threading the bolts. Prior to commencing the installation it is the installers responsibility to verify that all components are correct. Problems and losses which occur to improper installation and use are not covered by our warranty.



PARTS LIST:

NO.	NAME	QTY	IMAGE	NO.	NAME	QTY	IMAGE
[1]	Black H-Rack	1		[8]	M12*30mm Flat Washers	12	
[2]	Black Nudge Bar	1		[9]	M10*25 Flat Washers	2	
[3]	Right Driver Side Bracket	1		[10]	M12 Spring Washers	6	
[4]	Left Passenger Side Bracket	1		[11]	M10 Spring Washers	2	
[5]	M12*100mm Hex Bolt	2		[12]	M12 Nut	6	
[6]	M12*35mm Hex Bolt	4		[13]	M10 Nut	2	
[7]	M10 T-Bolt	2					

1. Read installation instructions thoroughly before commencing installation.

Remove the front underbody plate.



Image Reference: Front underbody plate removed. Do not discard.



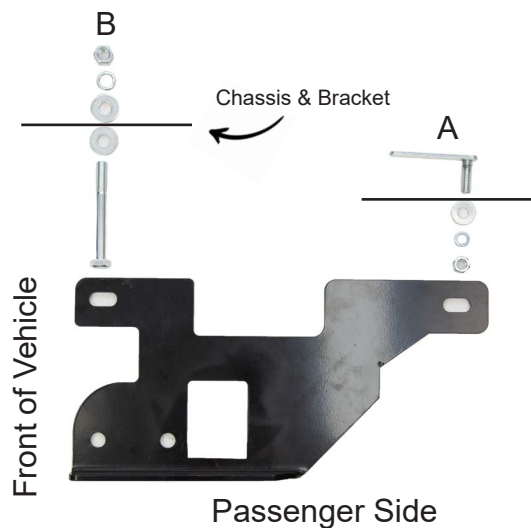
2. Line up Left Passenger Side Bracket [4] with the car chassis. Make sure the fold on both brackets are facing outwards.
3. Assemble the M10 T-Bolt [7], M10*25mm Flat Washer [9], M10 Spring Washer [11] and M10 Nut [13] as pictured.

This will make it easier to bolt the bracket and prevent dropping the T-Bolt into the chassis.

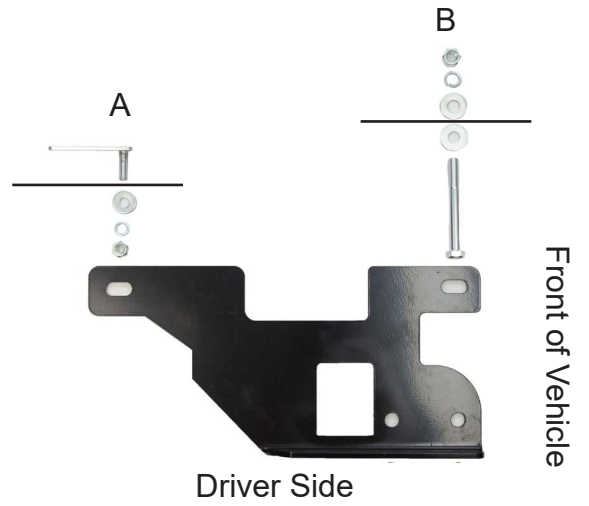


4. (A) Slide the flat long piece of the T-Bolt through the bracket into the chassis.
5. (B) Use the M12*100mm Hex Bolt [5], two M12*30mm Flat Washers [8], M12 Spring Washers [10] and M12 Nut to bolt the bracket to the chassis.

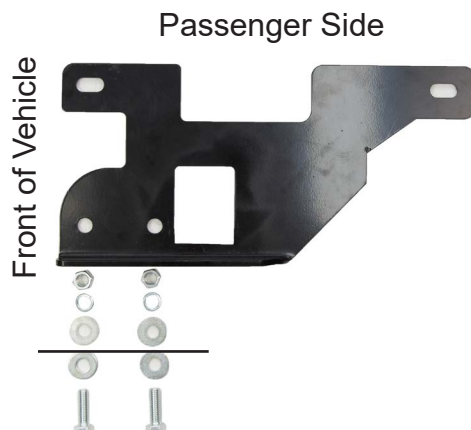
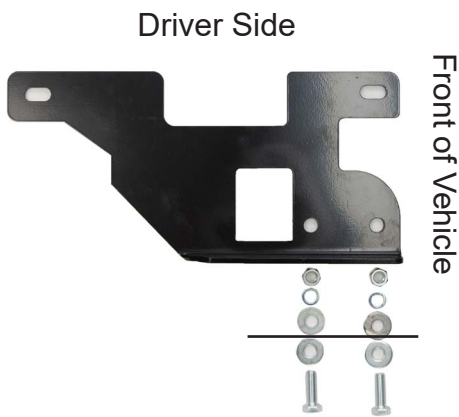
The two spacers will sandwich the bracket and chassis together.



6. Repeat steps 2-5 with the Right Driver Side Bracket [3].



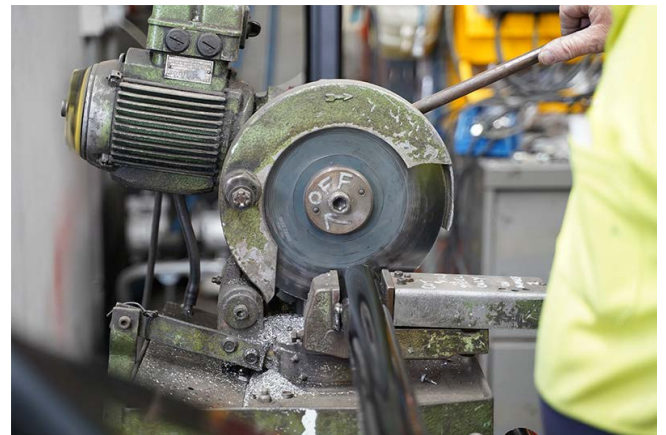
7. Attach the Black Nudge Bar [2] using M12*35mm Hex Bolt [8], two M12*30mm Flat Washers [8], M12 Spring Washers [10] and M12 Nut [12] to the brackets.



8. Attach the Black H-Rack [1] to the Black Nudge Bar [2]. You may need to loosen the eye-bolts.
9. To ensure the H-Rack is level with any existing roof racks and/or ladder racks, tie a long piece of string to the furthest rear rack and pull taut towards the H-Rack.
10. Try to keep the string as straight and level as possible. Using a measuring tape, take note how much you will need to cut off.



11. Remove the H-Rack from the Nudge Bar and mark that measurement from the bottom of the H-Rack.
12. Cut down the H-Rack using a circular saw.
13. File and deburr the edges.
14. Install the H-Rack back into the Nudge Bar and tighten all bolts, including re-attaching the front underbody plate.



Re-check that your workmanship has been of the highest professional standard, then clean up the work area and ensure that the vehicle or accessory is not scratched or left dirty. Remove all tools, protective covers, waste materials, grease, dirt or grime from the work area.