

BRACKET OF U-GUARD FOR LDV T60 2017+

Before Installation

- Please read the instruction completely for easy installation, which will also help you to avoid scratches or other potential damages to your appealing car.
- The figures here are for reference only and may have differences with the actual product you received, however they share the same assembly way.

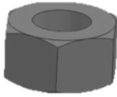



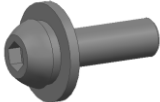

Care and Cleaning

- Mild soap may be used also to clean the Product.
- Please periodically check and retighten all the hardware and clean the investment for a refresh look.

Parts list

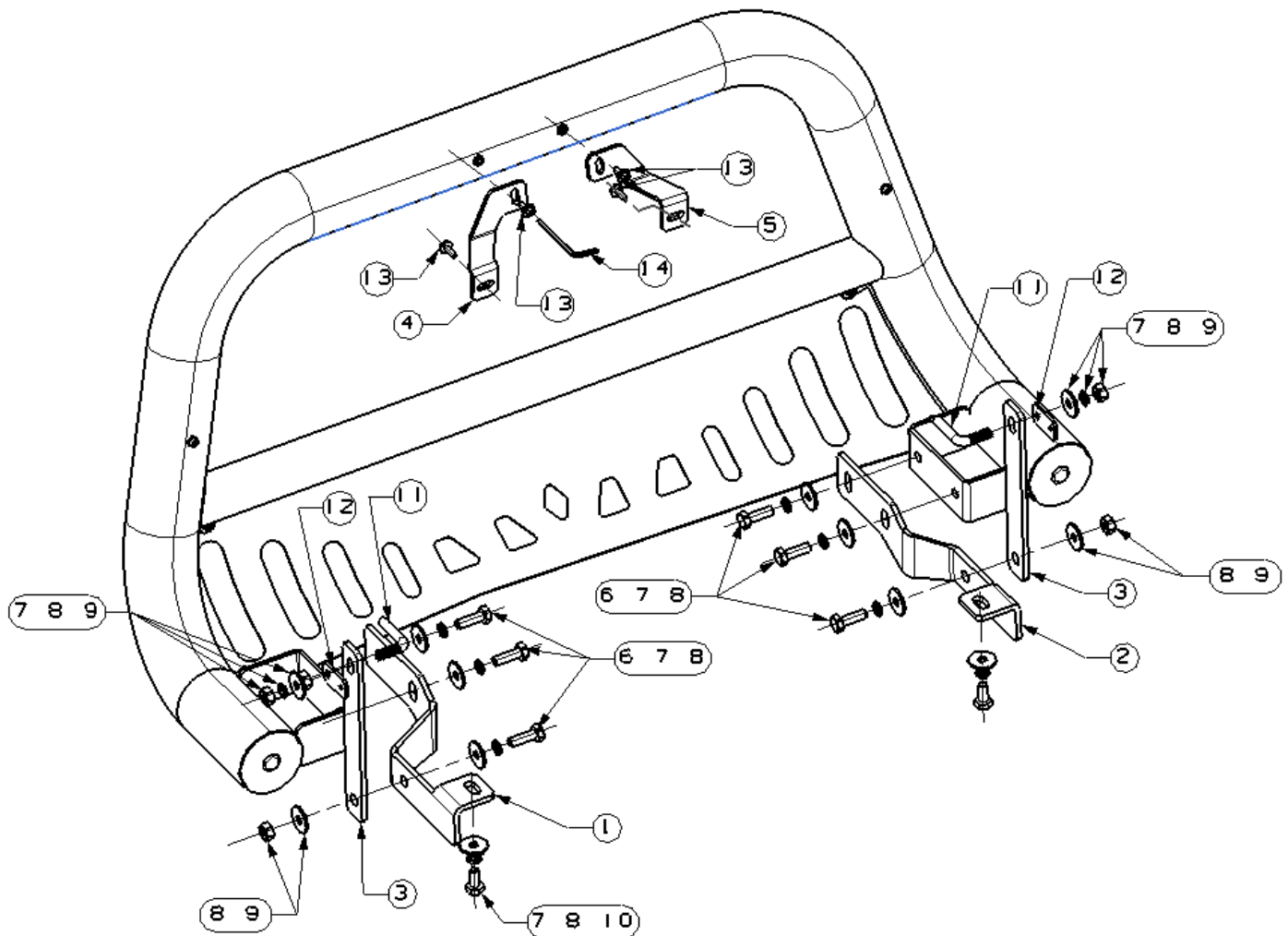
NO.	QTY	PIC	NO.	QTY	PIC
①	1	Mount Bracket 1(L)	②	1	Mount Bracket 1 (R)
③	2	Mount Bracket 2	④	1	Brace Bracket 3 (L)
⑤	1	Brace Bracket 3 (R)	⑥	6	Hex bolt M10-30
⑦	10	Spring Washer D10	⑧	12	Large Washer D10

INSTALLATION INSTRUCTIONS

⑨	4	 Hex nut M10	⑩	2	 Hex bolt M10-20
⑪	2	 L- bolt M10	⑫	2	 bottom plate
⑬	4	 Combined bolt M6-20	⑭	1	 Hexagon wrench S=4

Installation Steps

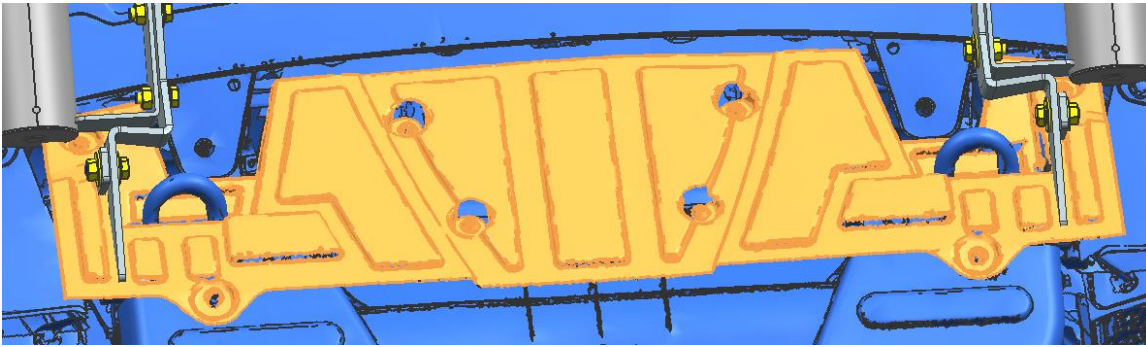
INSTALLING PICTURE



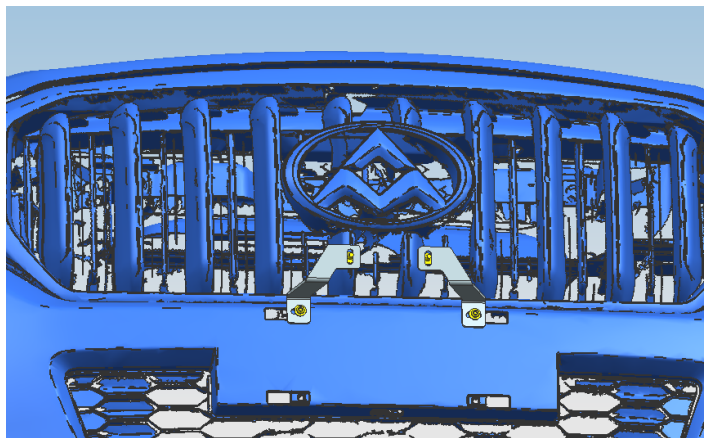
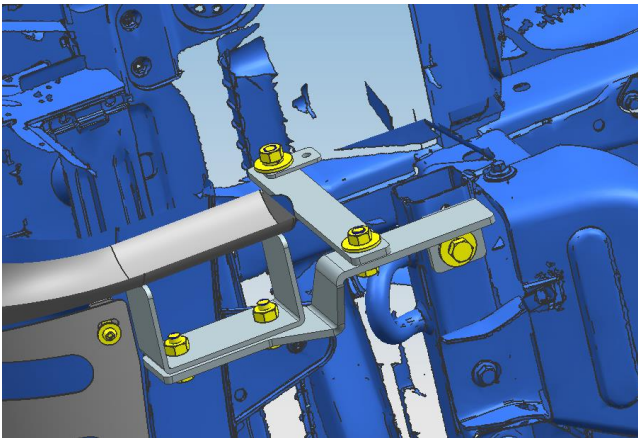
INSTALLATION INSTRUCTIONS

Step 1: Verify that all parts are present according to the manual.

Step 2: Remove the plastic base plate



Step 3: Install the grille guard and brackets to the vehicle follow installing picture.



Step 4: Test and make sure that the grille guard is steadily fixed, fully tighten all hardware.

Step 5: cut the part of the plastic base plate and Reinstall back to the vehicle



Step 6: Installation is finished, pick up all tools.

Any damages and losses caused by improper installation and application, goes beyond our quality warranty.