

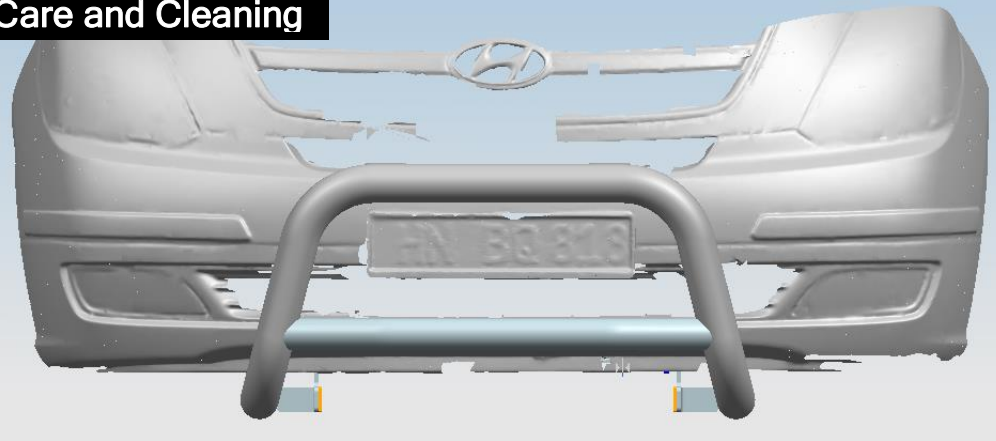
# INSTALLATION INSTRUCTIONS

## Nudge bar Grille Guard suitable for Hyundai iLoad 2007-2018

### Before Installation

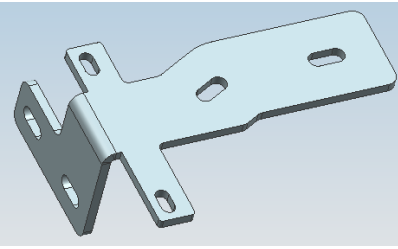
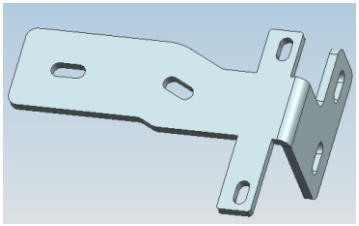
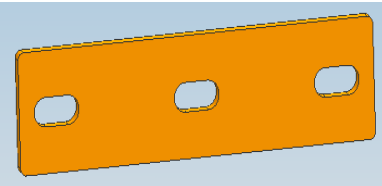
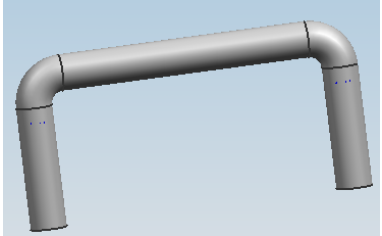
- Please read all the information in this document carefully to avoid any errors or confusion during installation.
- The goods you receive may have minor differences than shown in this document. However, the installation process is still the same and is useful for reference.

### Care and Cleaning



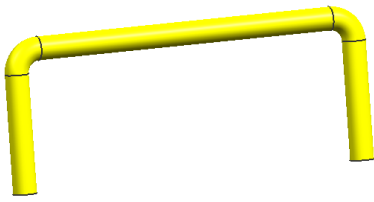
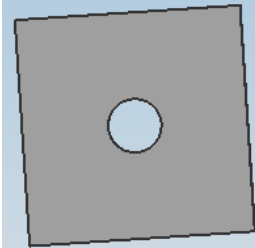

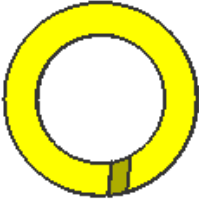
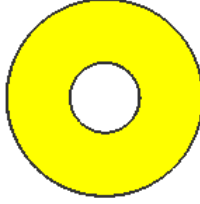
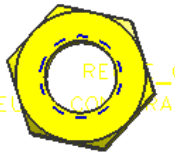
Mild detergents may be used to clean this product. Periodically check and re-tighten all hard ware to ensure that the product is installed safely.

### Parts list

NO.	QTY	PICTURE	NO.	QTY	PICTURE
①	1	 BRACKET LEFT	②	1	 BRACKET RIGHT
③	2	 Plate	④	2	 M10x207 U-Bolt

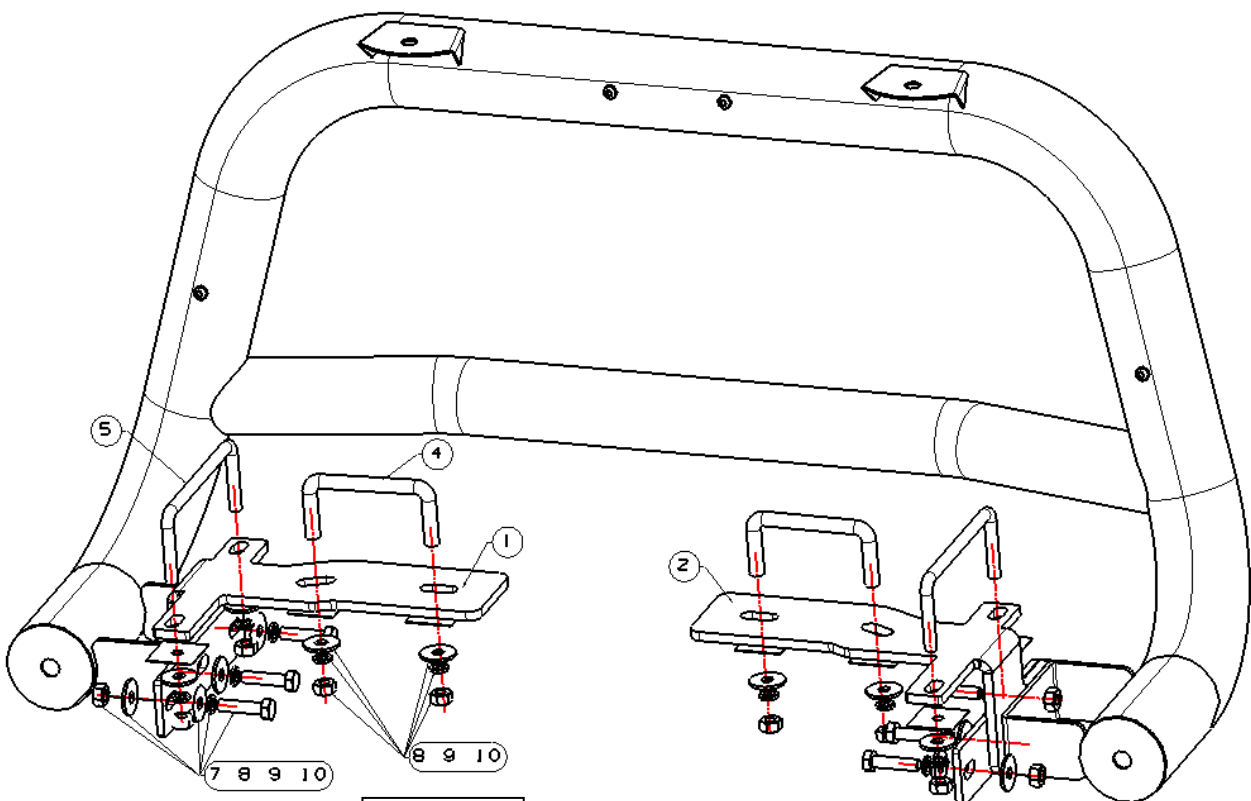
Please note (4) U-Bolt has been replaced by 2 T-bolts to suit Turbodiesel models

# INSTALLATION INSTRUCTIONS

⑤	2	 U-Bolt M10x261.4	⑥	8	 PVC Cushion Plate φ 10
⑦	6	 HEX BOLT M10_40	⑧	14	 SPRING WASHER D10
⑨	16	 LARGE WASHER D10	⑩	10	 HEX NUT M10

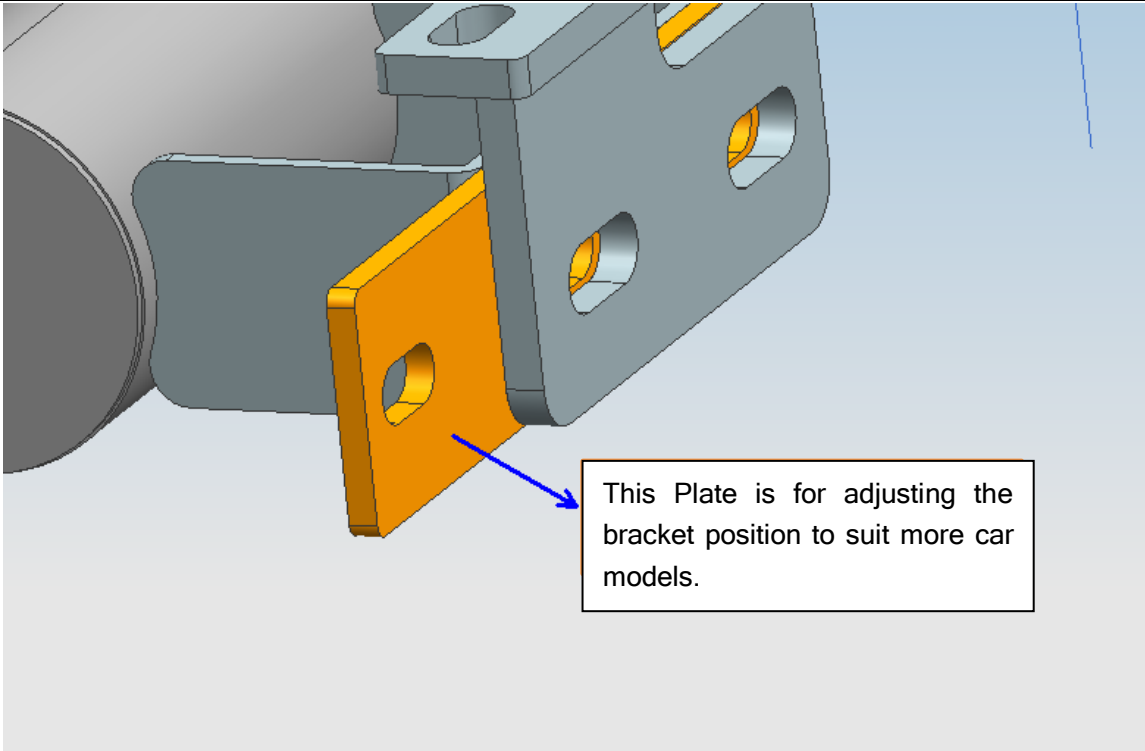
## Installation Steps

Installation Fig.



Same for  
both side

## INSTALLATION INSTRUCTIONS



Step 1: Check all contents are available in accordance with the above list.

Step 2: Connect ①② Brackets with the corresponding holes on the vehicle by U-bolt, loosely fix with Nuts.

Step 3: Connect Main Tube with ①② Brackets, adjust the distance with ③ Plate.

Step 4: Tighten all bolts and nuts.

Step 5: After checking for proper clearance and alignment of the grille guard on the vehicle, fully tighten all hardware.

### NOTE

Please note that any damages and harm caused by improper installation or usage of the bulbar goes beyond the coverage of our quality assurance and warranty.