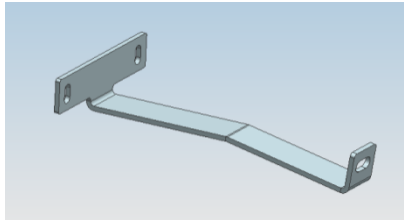
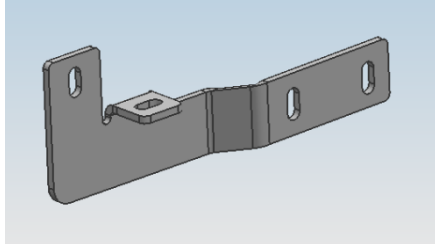
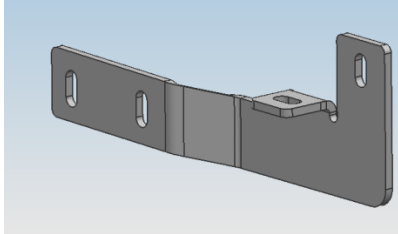
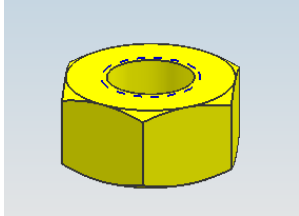
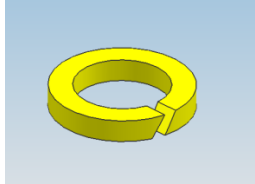
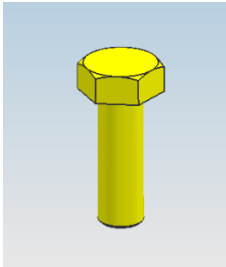
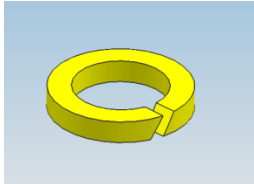

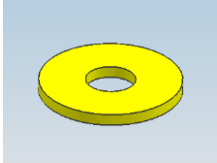


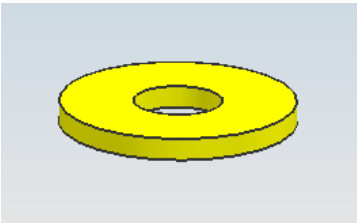
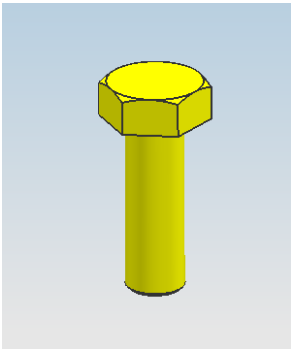
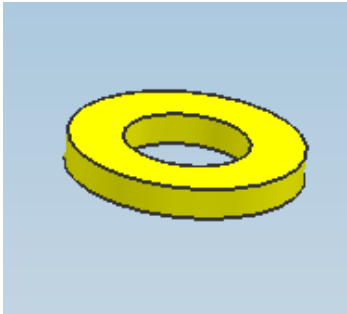
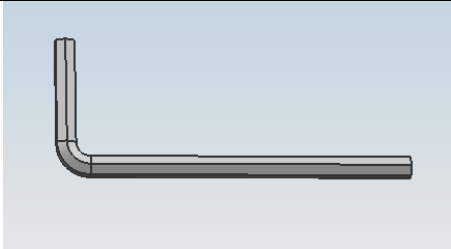
NUDGE BAR BRACKET FOR ISUZU D-MAX 2020

Part List

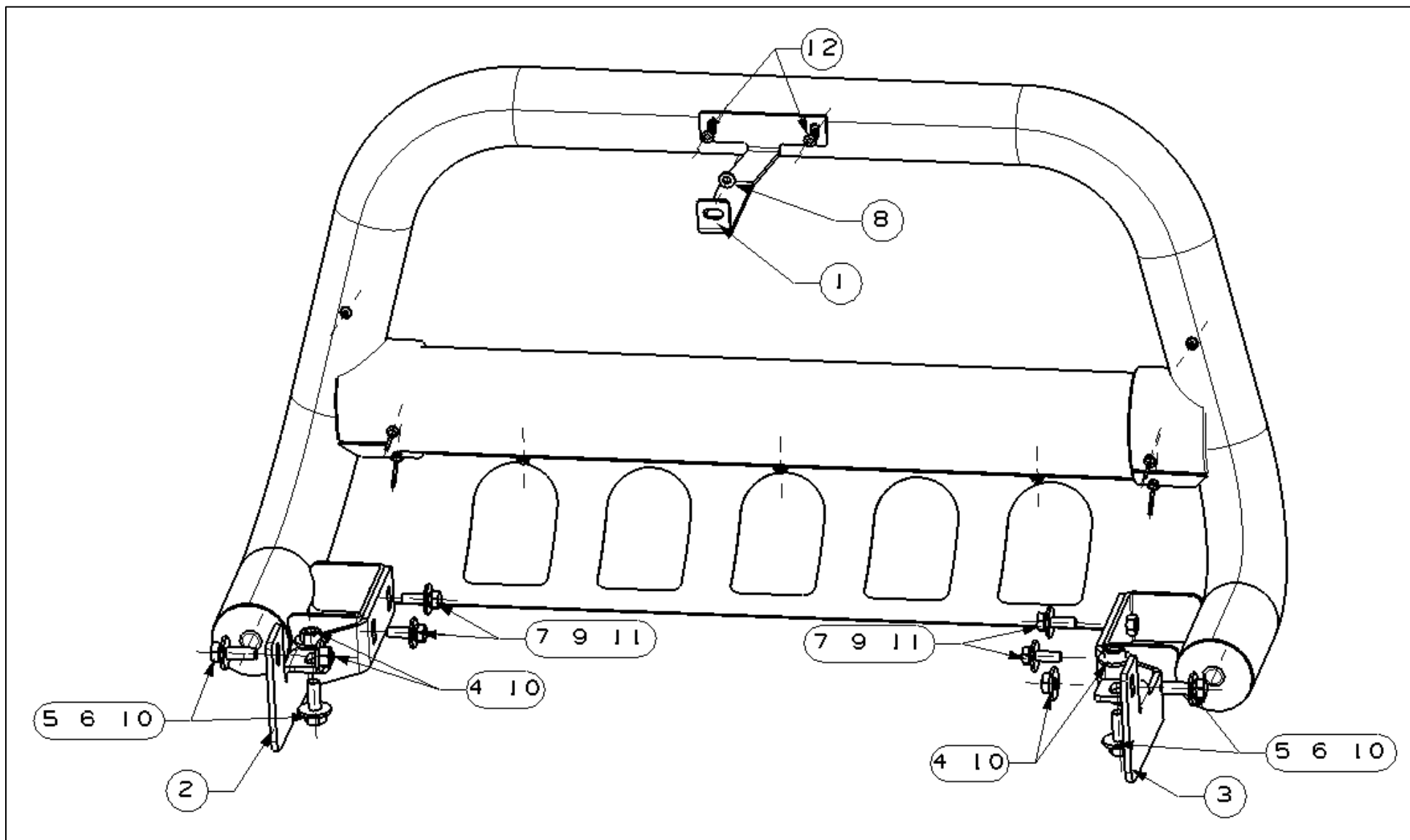
NO.	QTY	PICTURE	NO.	QTY	PICTURE	NO.	QTY	PICTURE
①	1		②	1		③	1	
		Support Bracket			Bracket (L)			Bracket (R)
④	4		⑤	4		⑥	4	
		Hex Nut M12			Spring Washer D12			Hex head Bolt M12_35
⑦	4		⑧	1		⑨	4	
		Spring Washer D10			Flat Washer (8x16x1.6mm)			Large Washer D10(10x30x2.5mm)

SIMPLE INSTRUCTION

PART NO.: PW03566

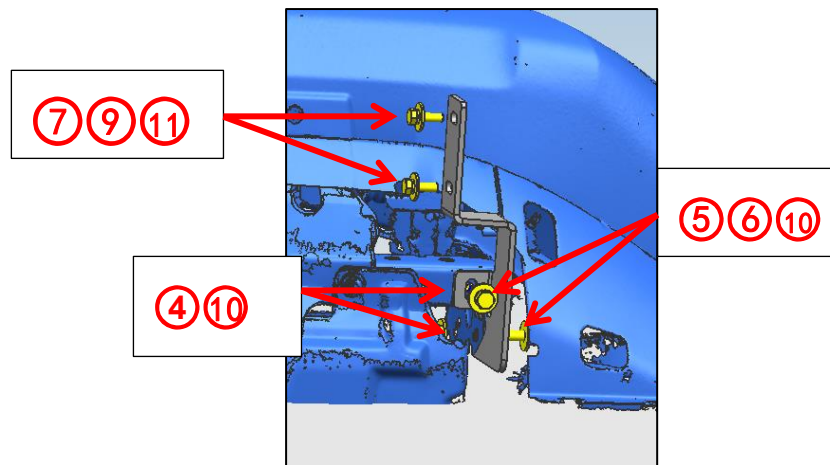
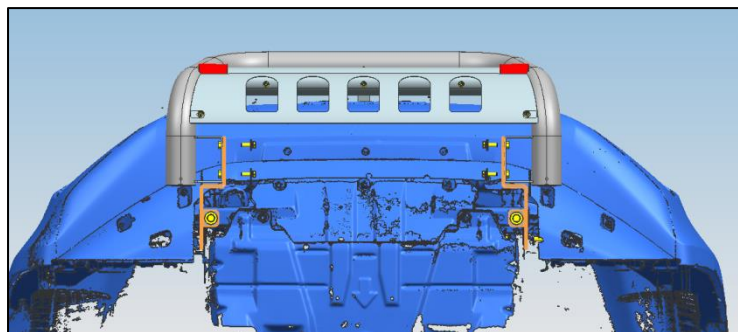
⑩	8	 <p>Flat Washer D12_32_3</p>	⑪	4	 <p>Hex head Bolt M10_30</p>	⑫	2	 <p>Flat Washer D6(6x12x1.6mm)</p>
⑬	1	 <p>Internal hexagonal wrench S=4</p>						

Installation Fig

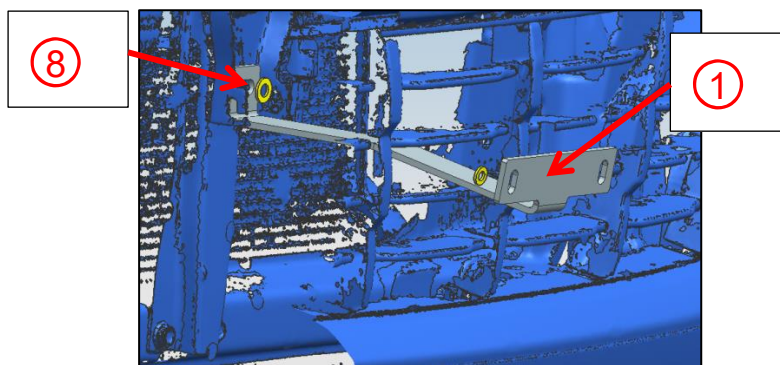


Installation Instruction:

Step 1 : Install the brackets on the beam with ⑤⑥⑩ & ④⑩.



Step 2: Install the support bracket on the beam with ⑧ & the original car hardware.



Finished:

