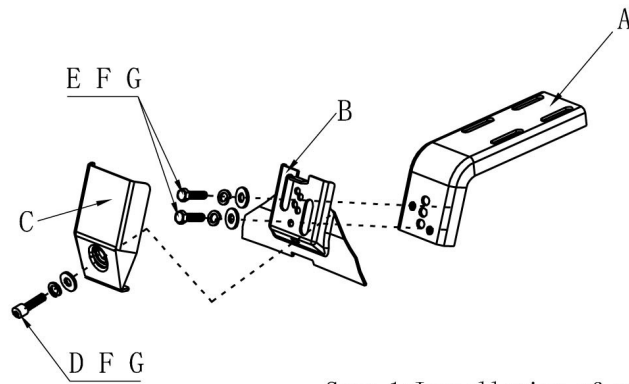
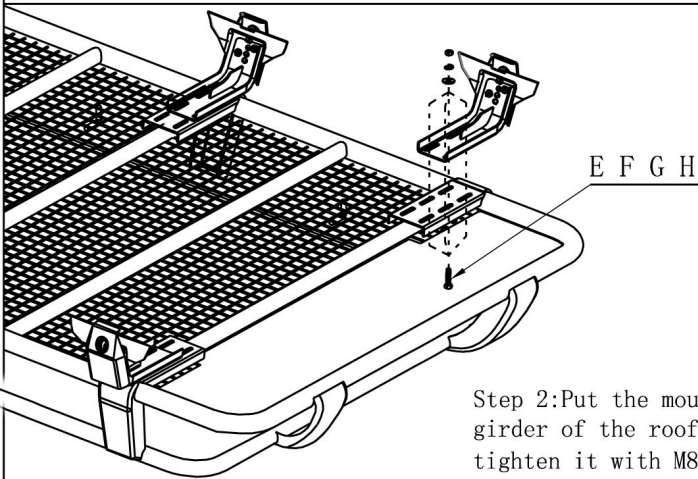
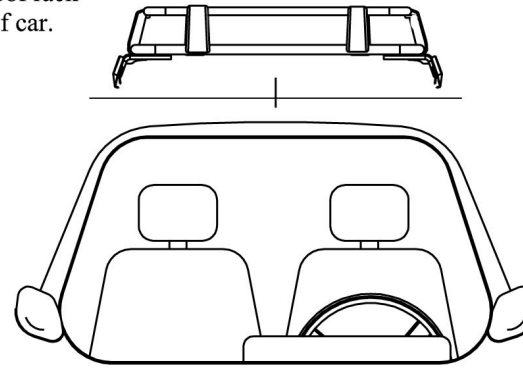


Roof Rack Installation Instruction



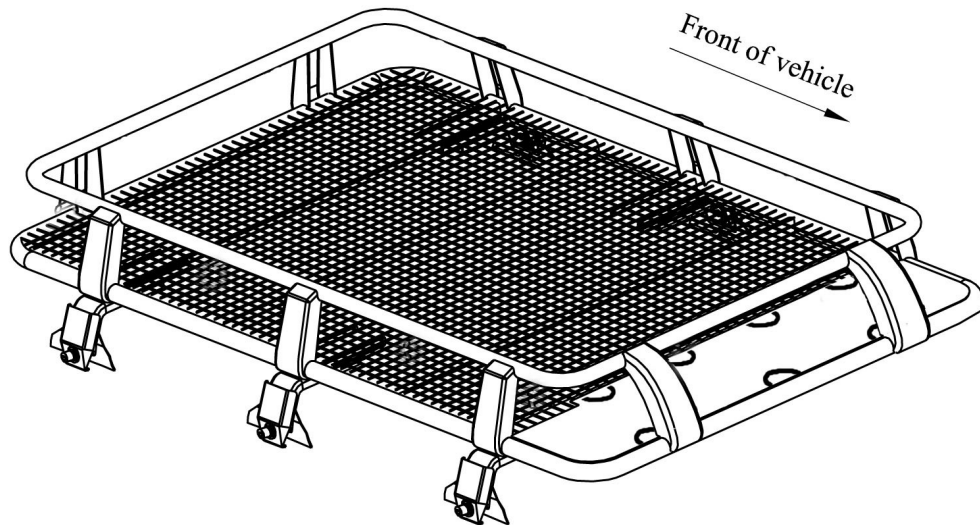
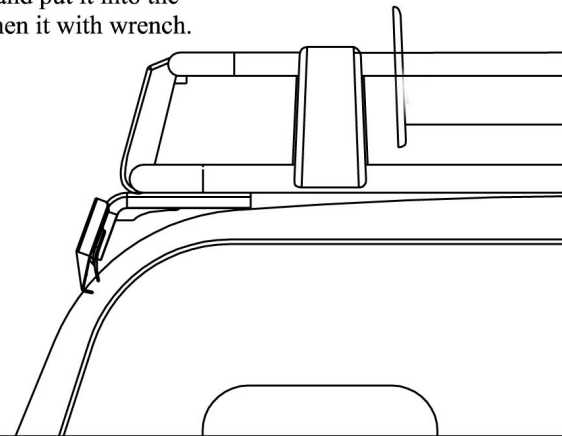
Step 1: Installation of mount bracket

Step 3
Take the finished roof rack to the middle top of car.

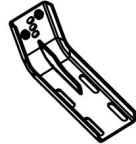
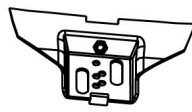







Step 2: Put the mount bracket on girder of the roof rack, and tighten it with M8X25 bolt (E).

Step 4
Loosen the bracket and put it into the rain gutter, then tighten it with wrench.



Parts list:

| | | | |
|---|---|---|--|
|  A mount bracket 1 (8 pieces) |  B mount bracket 2 (8 pieces) |  C mount bracket 3 (8 pieces) |  D M8X25 bolt (8 pieces) |
|  E M8X15 bolt (48 pieces) |  F M8 flat washer (56 pieces) |  G M8 Lock washer (56 pieces) | |