

# User's Manual

Product Name: Electric Pedal Bracket For 2019-2023+ Dodge RAM 1500

## 1. Precautions

- 1.1 Please read the User's Manual carefully before installation. Pay attention to the outside appearance during operation in case of any scratch;
- 1.2 Please check regularly if all the connecting components are fixed tightly to ensure safety in use.
- 1.3 About the cable connection, Please follow the installation instructions strictly.
- 1.4 The ECU can't be flushed and soaked, Please note the location of the installation.
- 1.5 The ECU and cable must avoid engine casing, exhaust pipe and other high-temperature components.
- 1.6 It must avoid short circuit of 2 signal cables or with the vehicle body.
- 1.7 Tighten the connector of the motor for better waterproofing.

## 2. Preparation work

- 2.1 Check whether the product is in good condition and whether the accessories are complete.
- 2.2 Get the installation tools ready.

			
internal hexagonal wrench	knife	scissor	warped board
			
Double hexagonal socket wrench	slot type/cross screwdriver	socket spanner	open spanner

### 3. Accessories

No.	Name	Qty	Size	No.	Name	Qty	Size
(1)	Pedal	2		(8)	Plastic piece	8	M10
(2)	Front Bracket	2		(9)	warranty card	1	无
(3)	Rear Bracket	2		(10)	U-shape bolt	10	无
(4)	ECU	1		(11)	M10X35 screw	2	56X16X15
(5)	hexagon socket head cap screw	8	M6*20	(12)	M10X35 screw	10	48X14X11
(6)	electrical adhesive tape	1		(13)	hexagon nuts with flange	12	M10 nut
(7)	Nylon cable ties	25					

### 4. ECU & Cable



**Main cable**



**ECU**



**positive pole  
negative pole**



**motor counter**

## 5. Cable connection

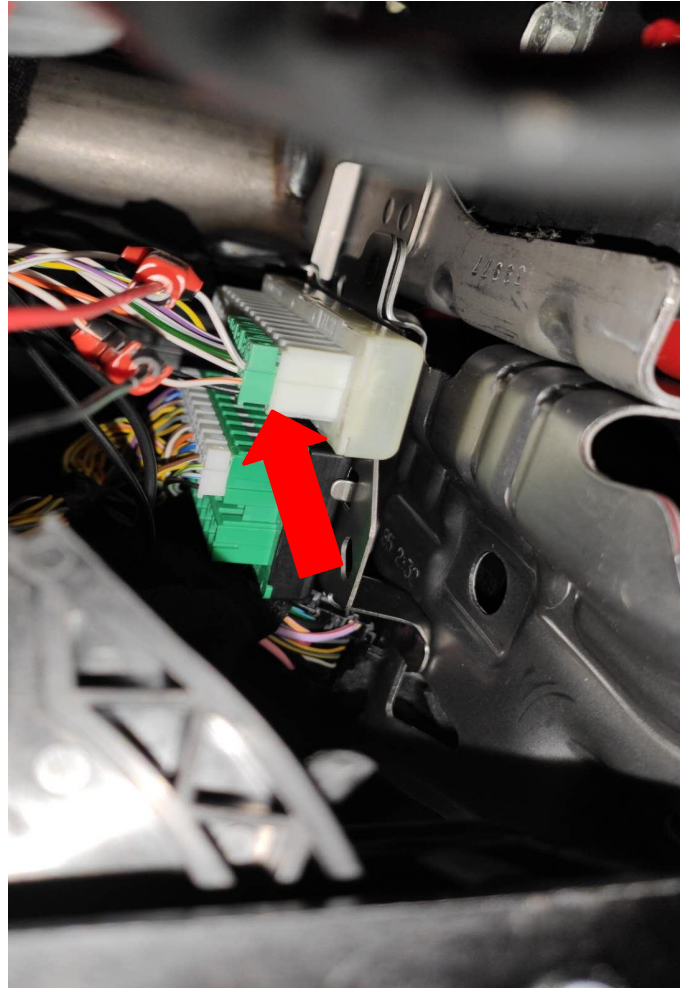
5. 2 Cut the plug below and connect the cable (red and black) to the car using red cable clamp.



The pic below is the position of the connection of 2019+ Dodge RAM 1500

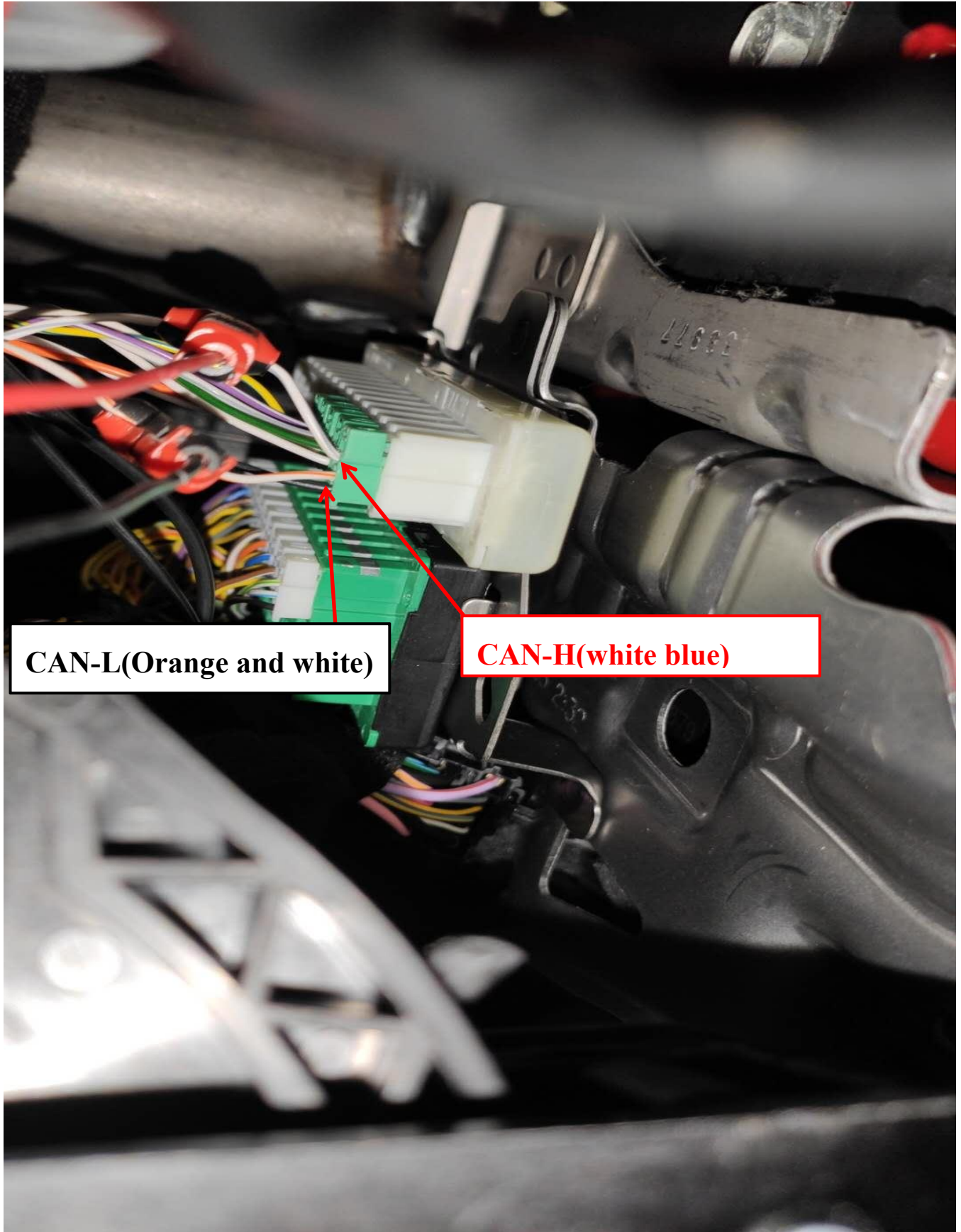


**Disassemble the inner panel of driver side**



**Find the black connector**

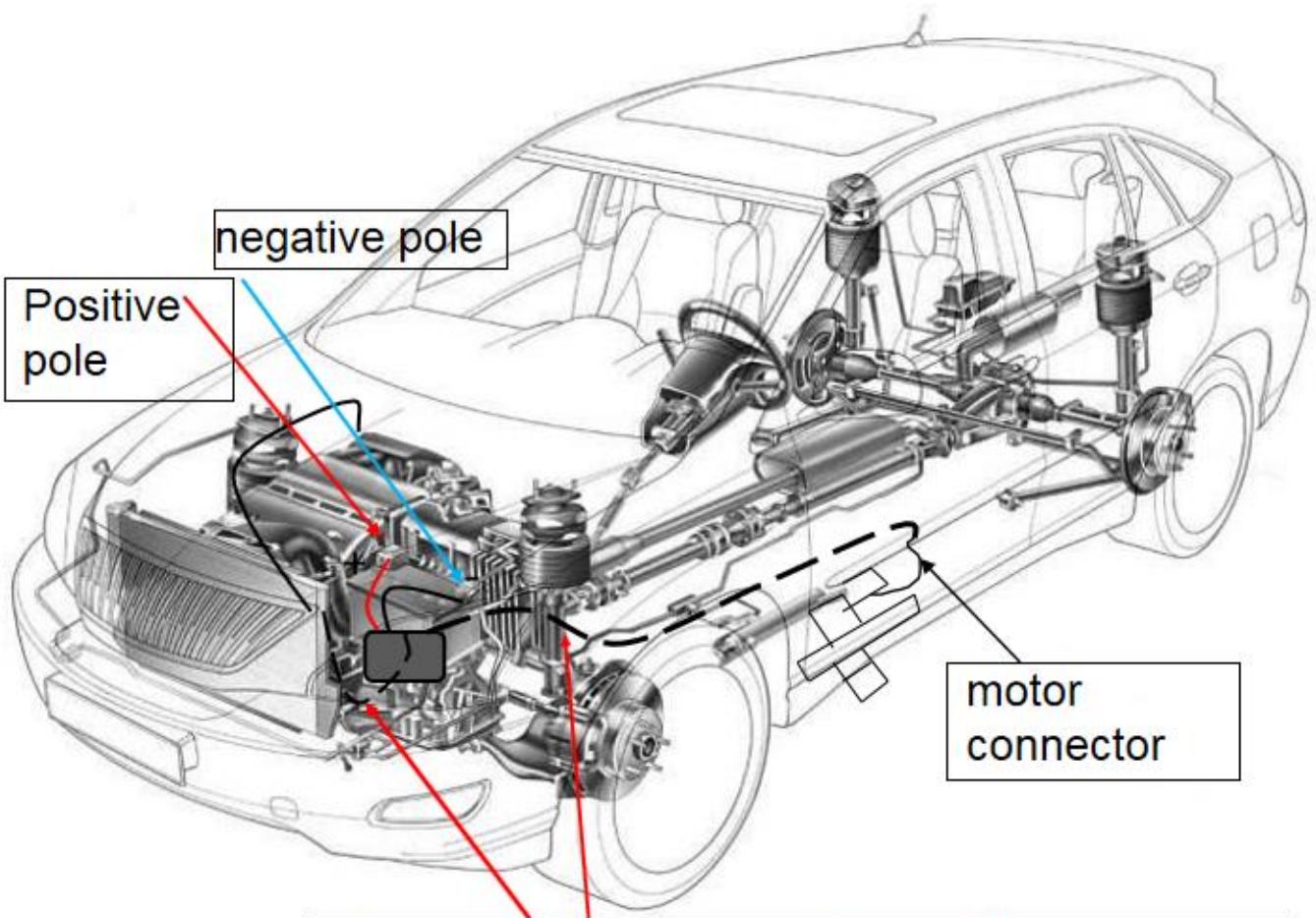




**CAN-L(Orange and white)**

**CAN-H(white blue)**

**CAN-H to the red cable      CAN-L to the black cable**

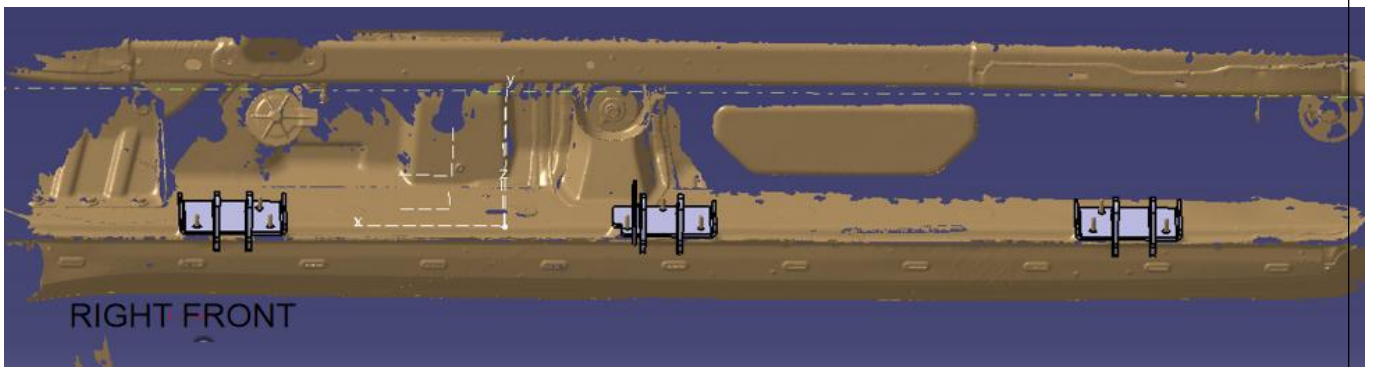
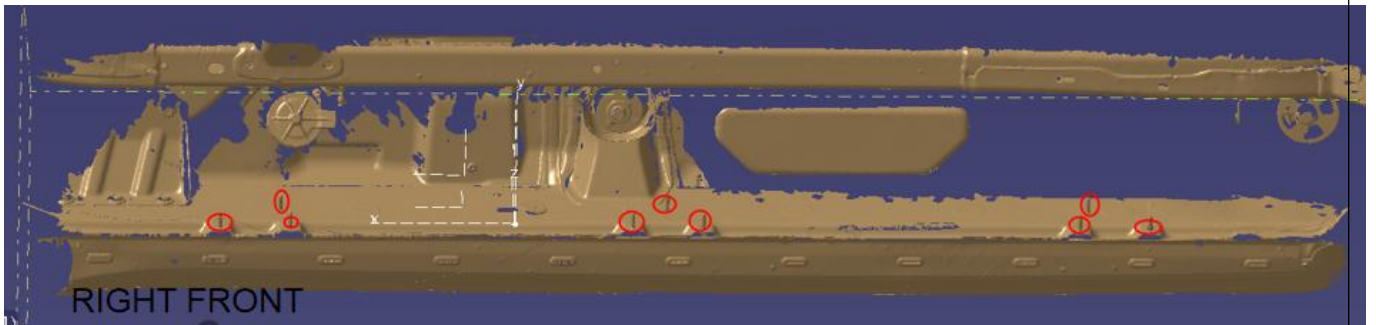
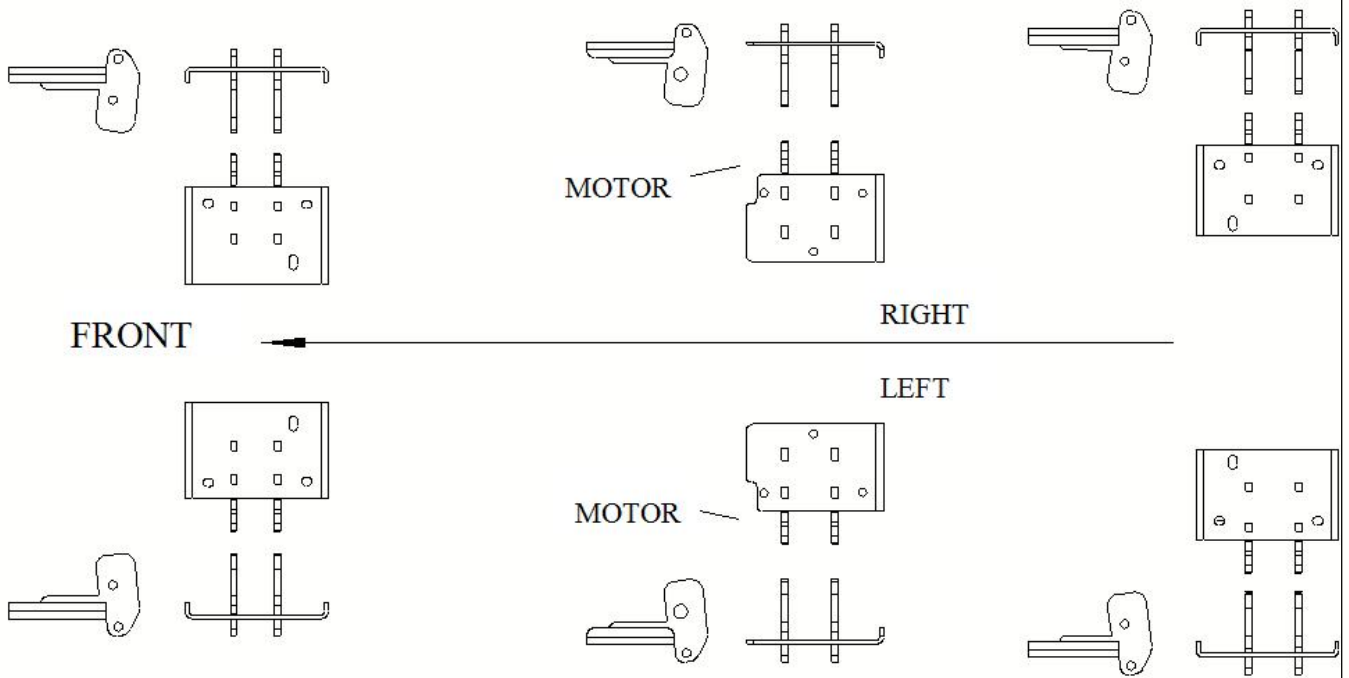


The motor cable passes through the engine room to the body chassis and connects the left and right motors respectively.

## 6. Installation

- 6.1 Refer to the accessories list to check whether the accessories are complete.
- 6.2 Distinguish the front, back, right and left sides of the bracket, Then place it in place with the fastener for improving the speed of installation
- 6.3 Insert the corresponding t-bolt into the plastic card respectively, In order to avoid the loading process can not be completed due to the wrong operation of t-type screws inserted into the car bottom plate.

The diagram below is the position of the connection of **2019-2023+ Dodge RAM 1500**



6.4 Organize the string with tie tape ,Install the removed guard plate in its original position[If there is interference between the guard plate and the bracket, the interference part should be removed].

6.5 The installation is completed, check whether there is any omission in the above installation steps.

**7.Disclaimer:**

Installation must be carried out in accordance with this manual. The related problems and losses caused by improper installation and use are not covered by our warranty.