



Universal Baja Tub Rack Instructions

Half Rack & Full Rack



Figure 1: Baja half tub rack



Figure 2: Baja full tub rack

Installation Guide

Please note:

Please read these instructions carefully prior to installation. Check the contents of this kit before commencing fitment and report any discrepancies. Do not use power tools. Only tighten with hand tools to avoid stripping the bolt heads or cross threading the bolts. It is the installer's responsibility to ensure all connections are water tight. Prior to commencing the installation it is the installers responsibility to verify that all components, particularly the template are correct. Problems and losses which occur due to improper installation and use are not covered by our warranty.



Figure 3



Step 1:

- Start by bolting the upright arm to the roller cover adaptor bracket using 20x15mm M8 bolts, washers and lock nuts. Tighten all the bolts. *(See figure 4)*
- Mount the elbow piece to the upright arm to your desired height. We recommend having at least 2 bolts to pick up both the upright arm and the elbow piece. *(See figure 5)*



Figure 4

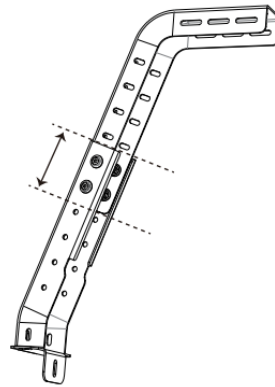


Figure 5

Please note: All bolts should only be fully tightened at the end of the assembly. Tightening bolts prior to this may affect the installation.

Step 2:

- Slide 8 M6 t-bolts into the roller cover track (4 on each side). *(See figure 6)*



Figure 6

Step 3:

- Bolt on the previously assembled roller cover adaptor bracket and upright arm and elbow piece onto the roller cover. (See figure 7)

- If you are installing the baja tub rack directly to your tub, measure the distance of the holes from the upper and side rails and bolt on the upright arm to the tub accordingly. (See figure 8)



Figure 7

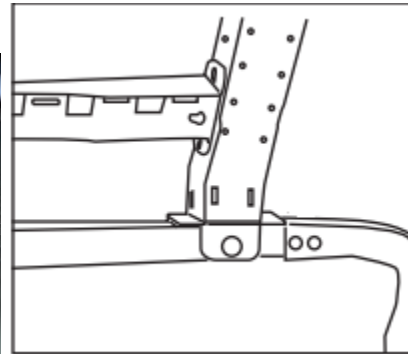


Figure 8

Step 4:

- Use the 20x15mm M8 bolts, washers and lock nuts to loosely secure the front and rear rails to the upright arm. (See figure 9)

- The front and rear of the tub rack can be differentiated by the L.E.D light cutouts. The rail that has cutouts is the rear rail and the rail without the cutouts is the front rail. (See figure 9)

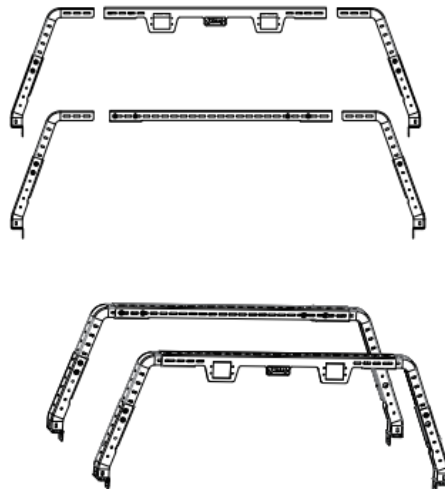


Figure 9



Step 5:

- Place and bolt the side and upper rails onto the tub rack assembly using the 20x15mm M8 bolts, washers and lock nuts. (See figure 10)

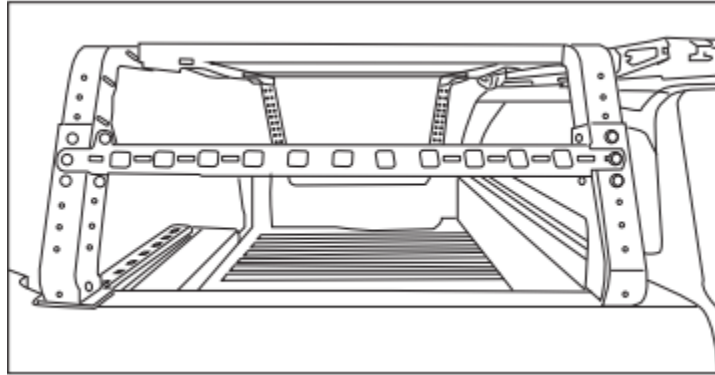


Figure 10

Step 6:

- Using a measuring tape, make sure the distance from the cab to the baja tub rack is the same on both sides.

Please note: The Baja Tub Rack must not be touching the cab or the rear window of the cab, otherwise damage will occur.

Step 7:

- Tighten all the bolts.

Please note: Hand tightening the bolts is recommended so that the heads of the bolts do not strip.

Step 8:

- Use the M6 bolts and wiz nuts to mount the two rear lights. The rear lights have a positive and negative wire which can be wired in whichever way you like.



Figure 11