

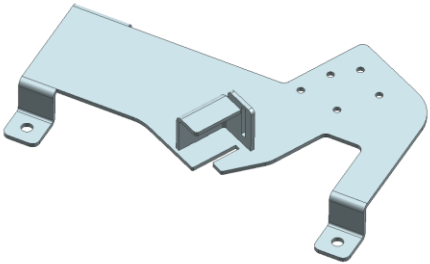
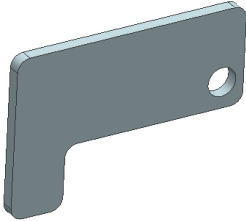
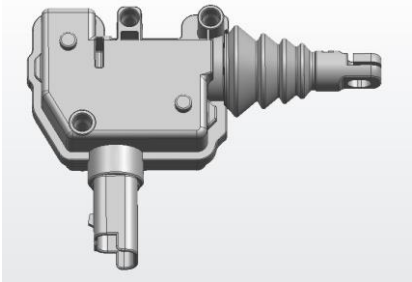



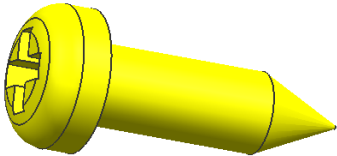
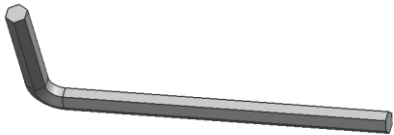
CENTRAL TAILGATE LOCK FOR GWM UTE CANNON 2021


Installation Instruction

CAUTION:

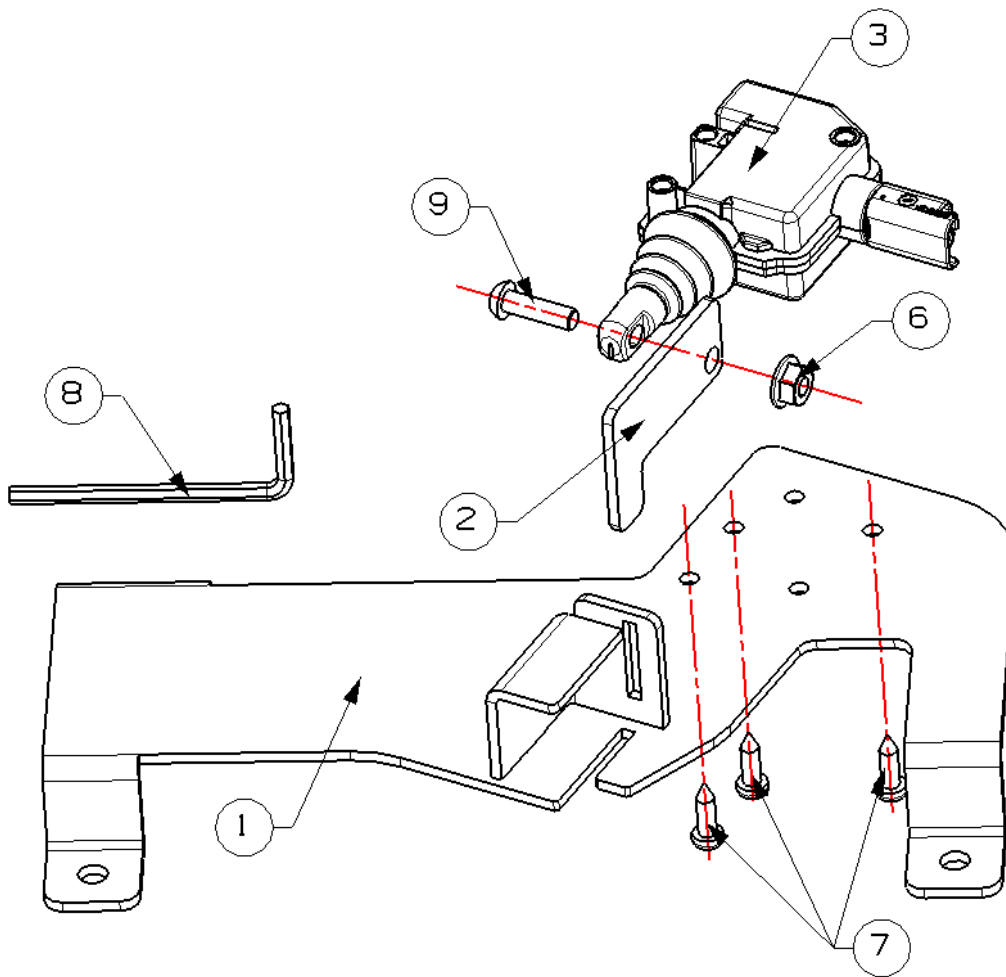
1. The figures here are for reference only and may have differences with the actual product you received, however they share the same assembly way.
2. Please read the instruction completely for easy installation, which will also help you to avoid scratches or other potential damages to your appealing car.

PART LIST:

NO.	QTY	NAME	NO.	QTY	NAME
①	1	 Bracket	②	1	 Unlocking plate
③	1	 Actuator	④	1	 Wire harness (Universal)
⑤	2	 T-Shaped clamp	⑥	1	 Hex flange nut M6
⑦	3	 Phillip tapping screw ST4.8_16	⑧	1	 Allen wrench S=4

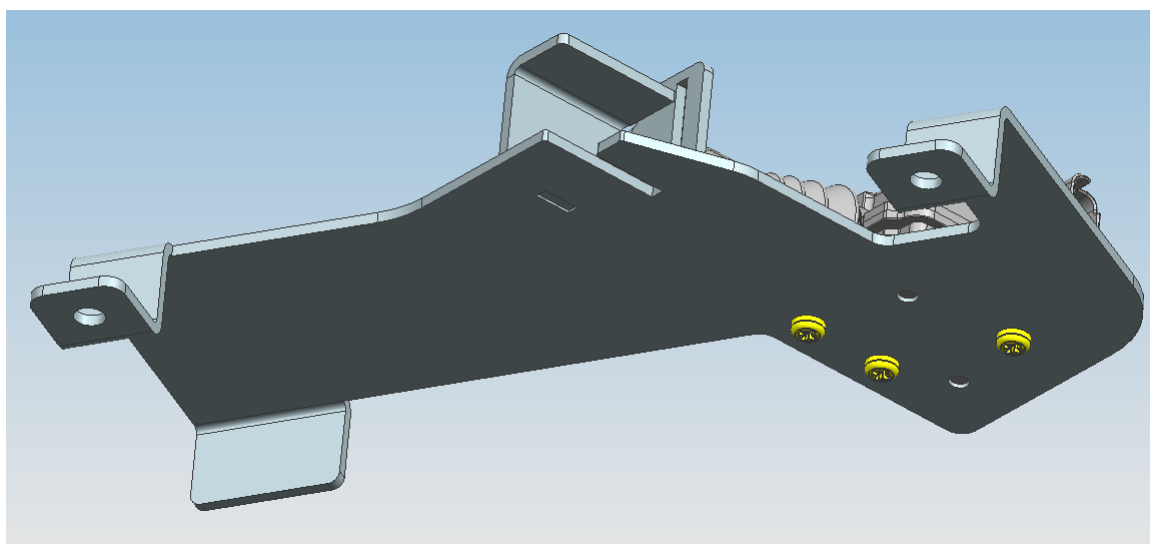
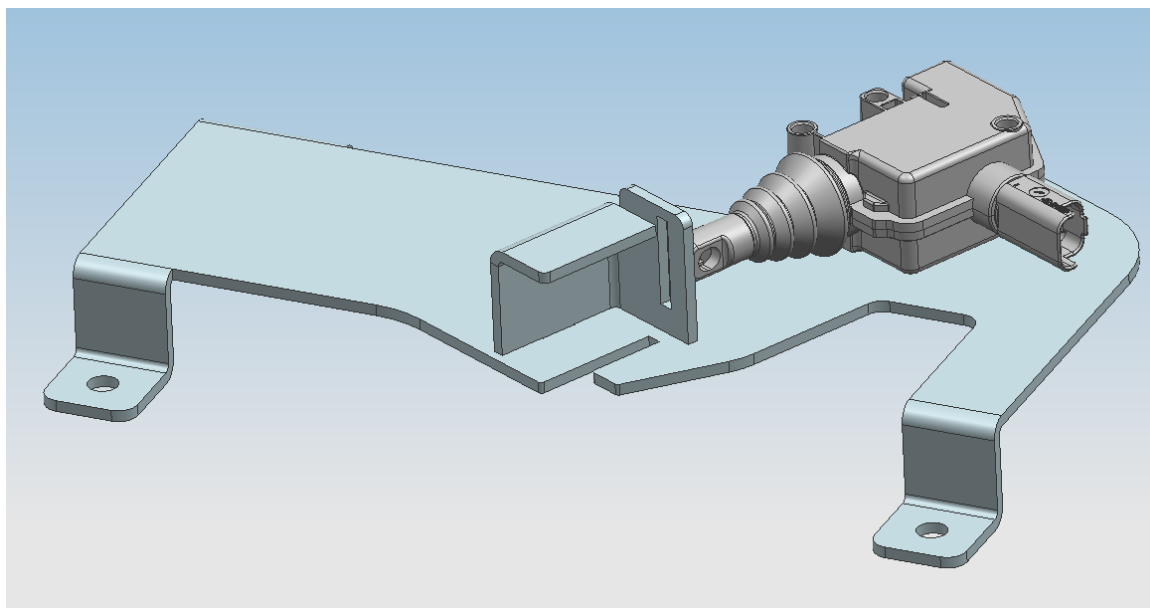
⑨	1	 <p>Hexagon Socket Button Head Screws M6_20</p>
---	---	--

Installation Fig.



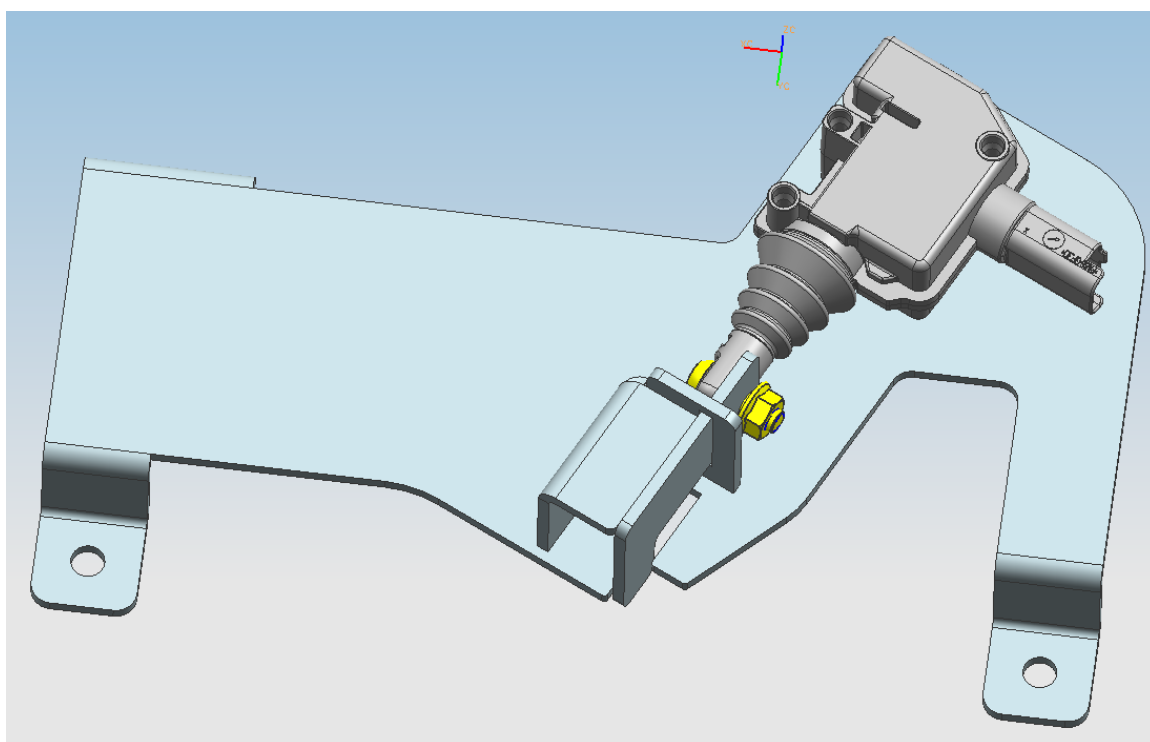
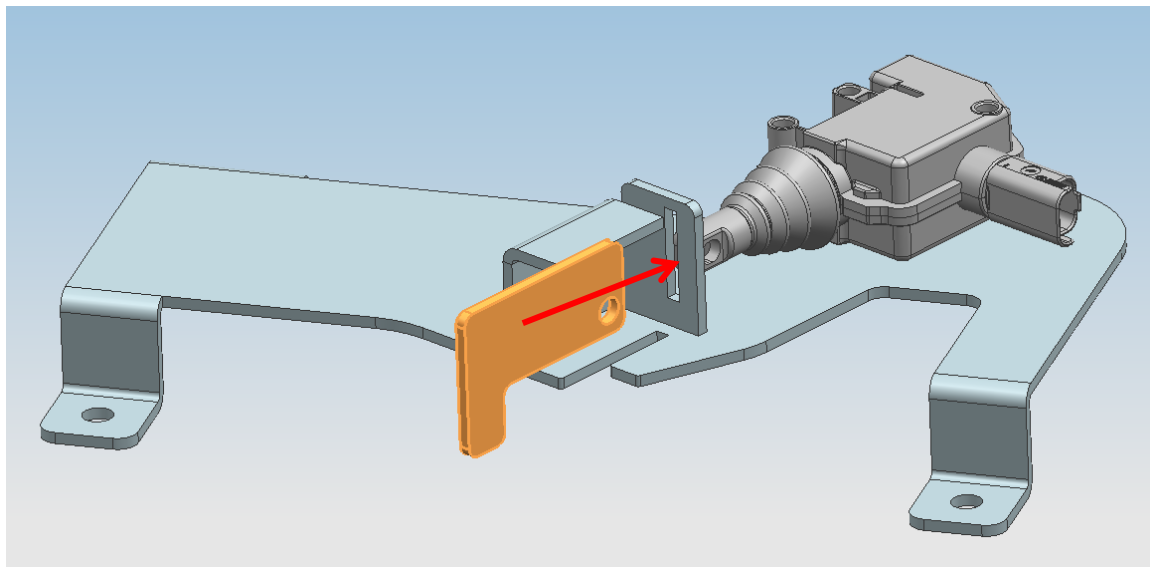
● Brackets Installation:

1. As below photo shows, install ① ③ with ⑦ ⑧



2. As below photo shows, put the ② through the groove on the mounting bracket, and assemble it with

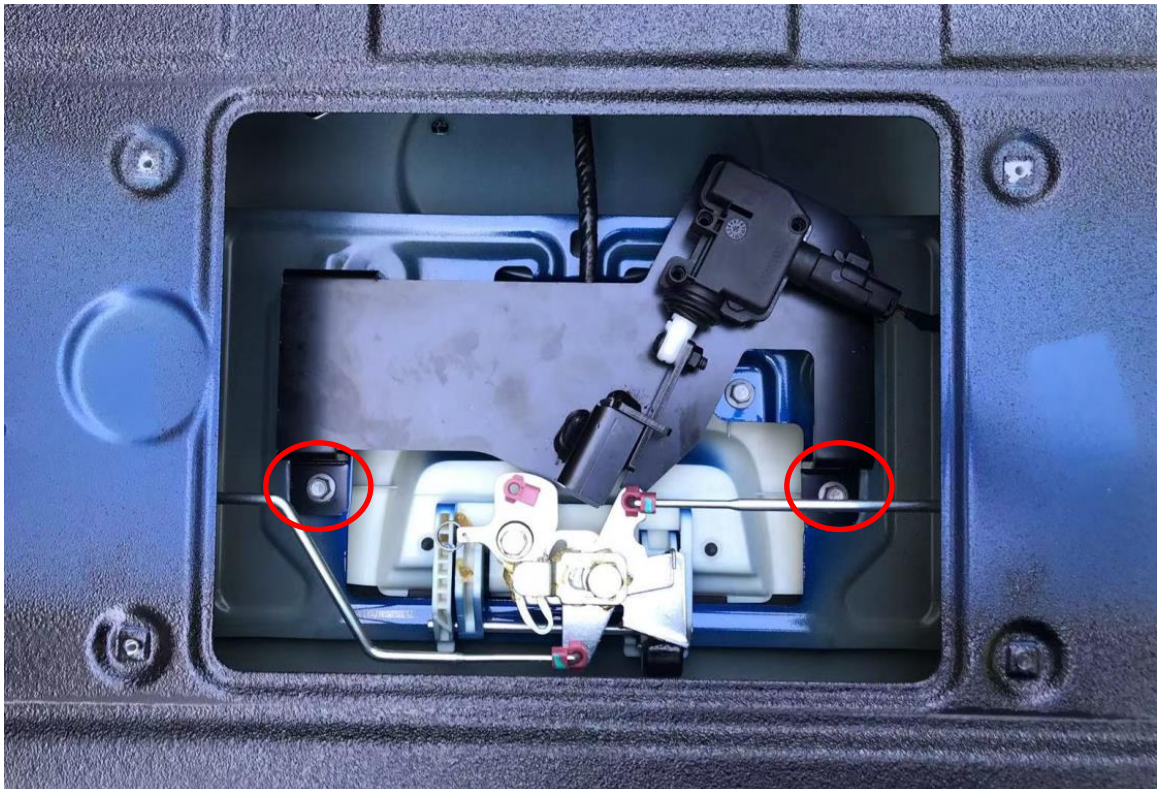
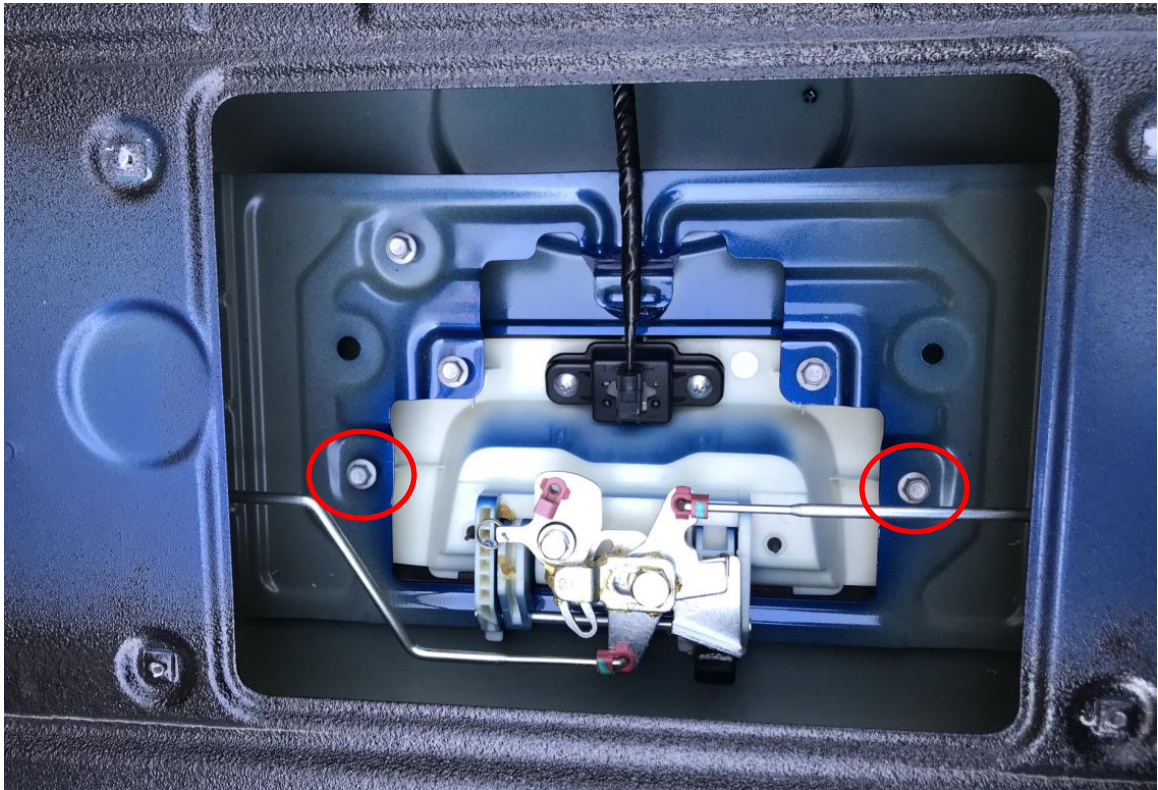
⑥ ⑧ ⑨



3. Remove the steel cover plate on tailgate by loosening the screws, and then remove the metal cover



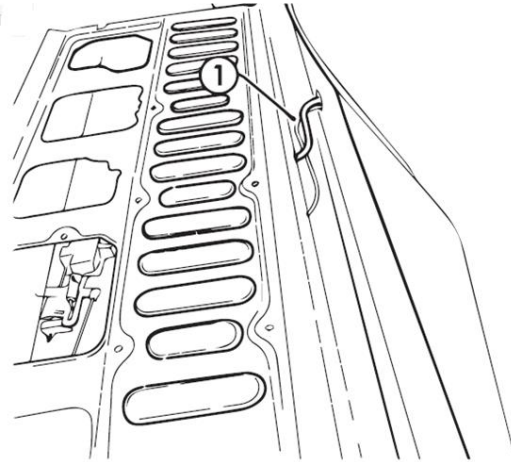
4. Remove the 2 screws of the original car, put our product into the tailgate, then install it with the removed 2 screws



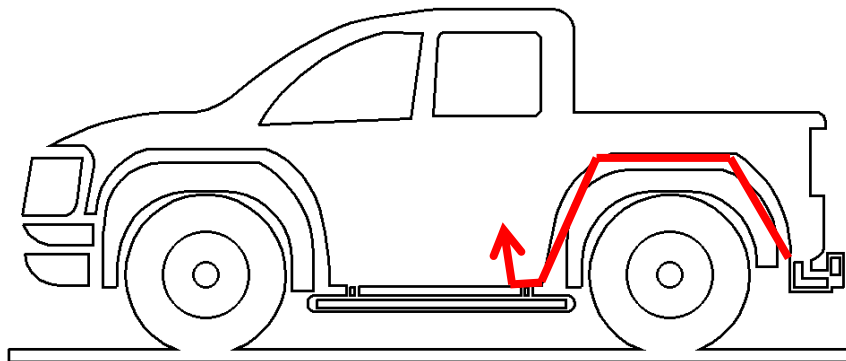
5. After installing the product, pay attention to check whether there is any looseness, move the ② with your hand, and observe whether the movement is smooth. After the check is correct and connect the wire please install the metal cover back to the tailgate in turn.

● Wiring harness connection:

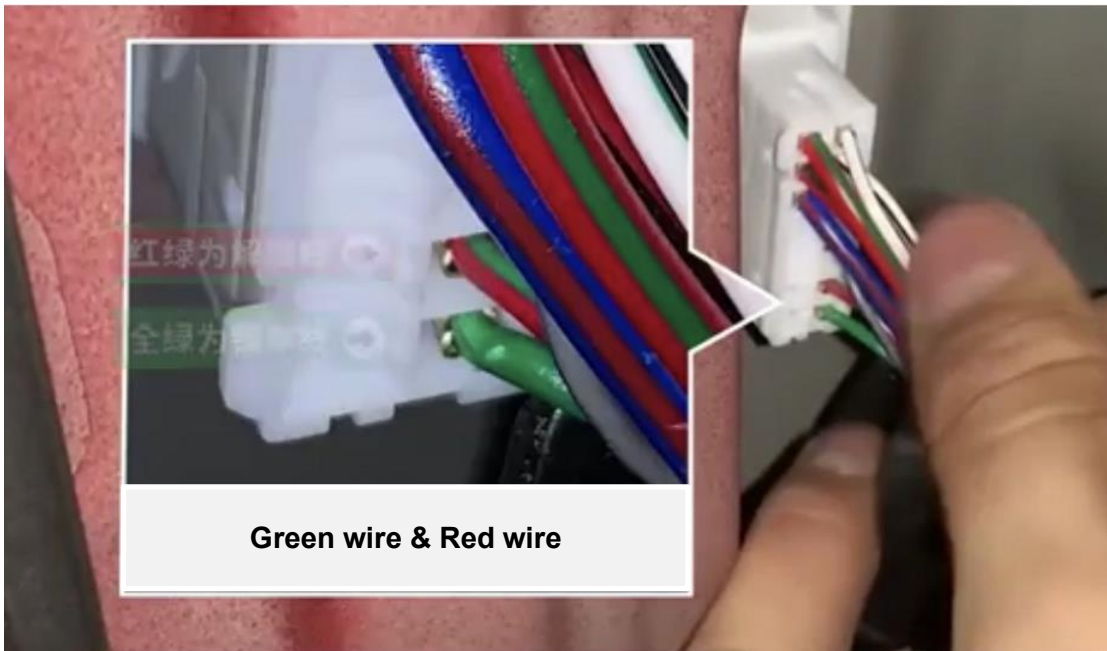
1. Connect the wiring to the actuator the route the actuator wiring harness out of the tailgate and underneath the vehicle.



2. Route the wiring harness along the chassis rail to the following location entering the cabin via the gromet located under the rear seat.



3. After routing the wires into the cabin, remove the B pillar trim panel to locate the wiring harness plug and find the Green wire & Red wire as shown in the picture below. Splice and attach the tailgate central locking wiring harness.



4. Test to confirm the tailgate lock function, and then reinstall the decorative panel.
5. After completing the above installation, use the remote control to check whether the installation is ok, and then restore the tailgate cover to its original position.

