


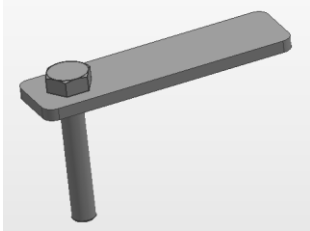

# Tailgate Central Locking Kit For Nissan Navara NP300 14-20





## Instruction

**CAUTION:**

1. Please read the instruction completely prior to installation.
2. Please test function of central locking kit with tailgate down and/or with access to tub. We cannot be held responsible for locked goods inside the tub

**PART LIST:**

NO.	QTY	NAME	NO.	QTY	NAME
①	1	 Bracket	②	1	 Lock Catch
③	1	 Actuator	④	1	 Wire Harness (Universal)
⑤	2	 T-Shaped clamp (Wire 0.2-0.5)	⑥	1	 T shape bolt M6 (35x65x18)
⑦	1	 M6 Spring Washer	⑧	1	 M6 Flat Washer (6x18x1.6)

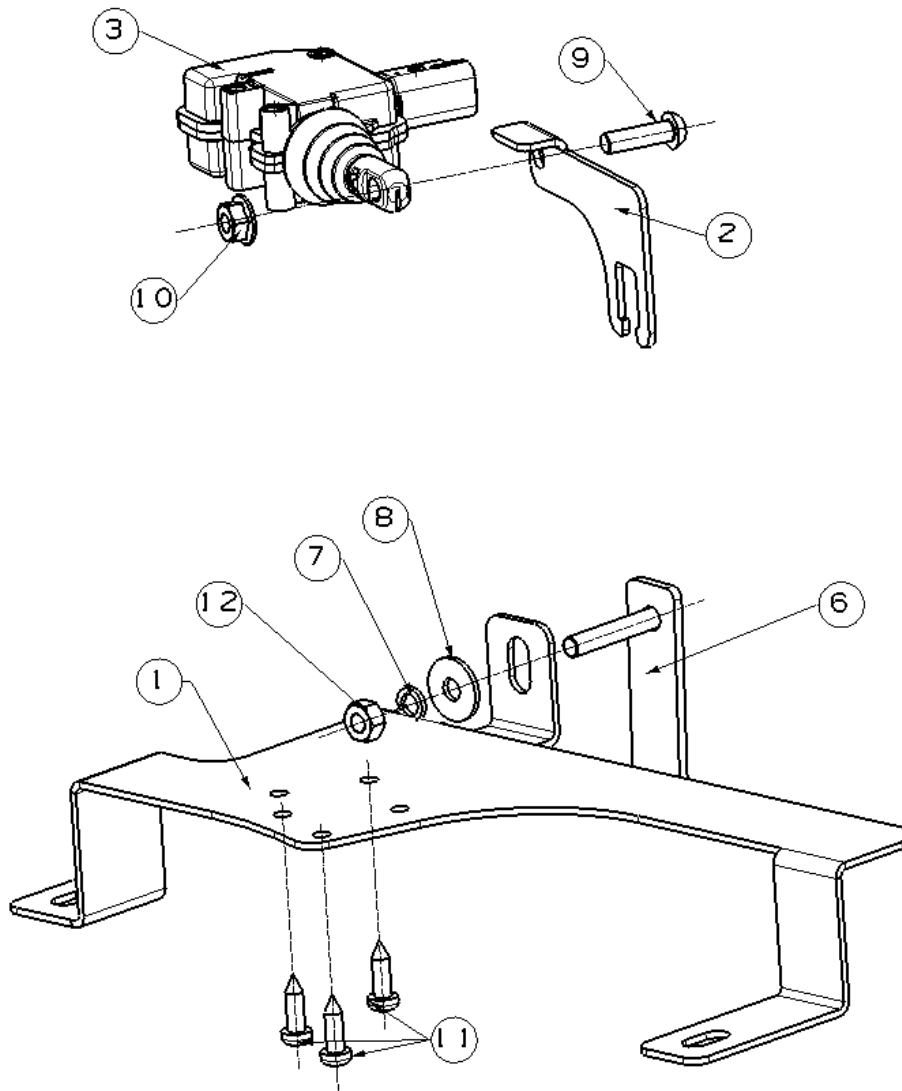
<p>⑨</p> <p>1</p>	 <p>Hexagon Socket Button Head Screws M6_20</p>	<p>⑩</p> <p>1</p>	 <p>Hex flange nut M6</p>
<p>⑪</p> <p>3</p>	 <p>Phillip tapping screw ST4.8_16</p>	<p>⑫</p> <p>1</p>	 <p>Hex nut M6</p>

**STEP ONE: Bracket installation**

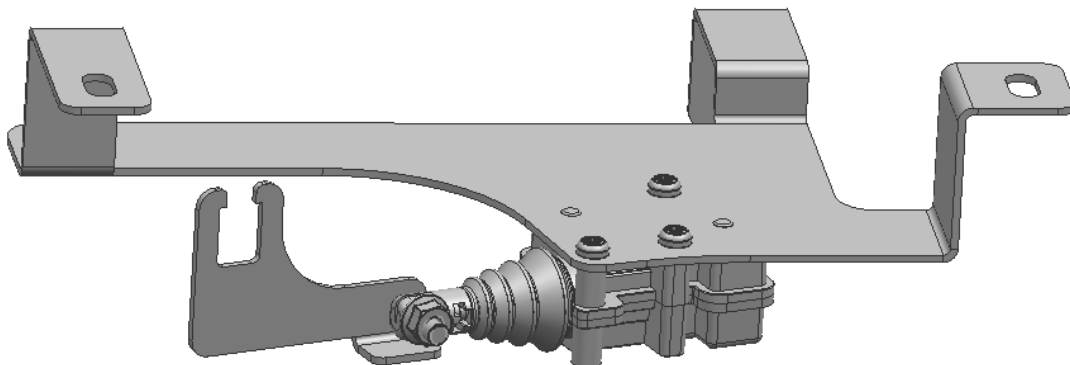
Remove the plastic cover plate and the steel cover plate on tailgate after loosening the 8 screws orderly.



**STEP TWO** Installing diagram:



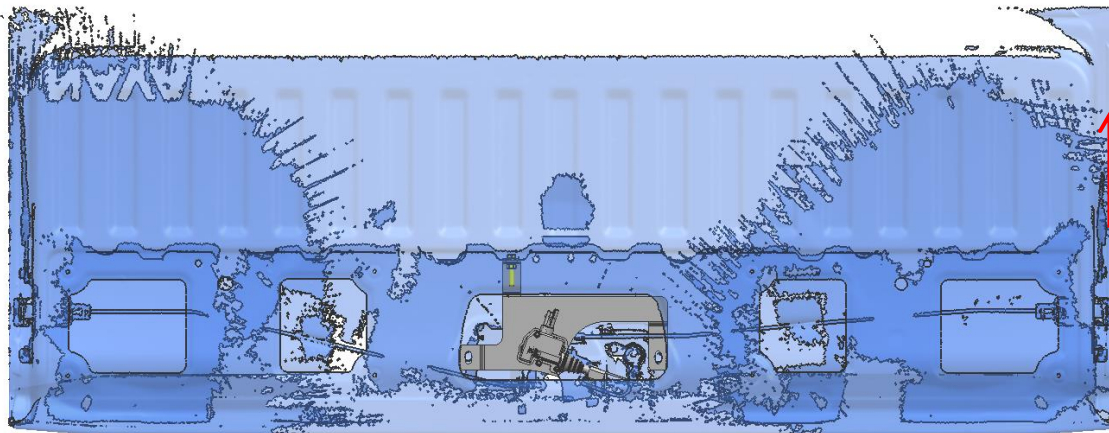
Installing Bracket, refer to the diagram above, Combine ① Bracket, ② Lock catch, ③ Actuator with ⑥ Hexagon Socket Button Head Screws M6\_20, ⑦ Hex flange nut M6 and ⑧ Phillip tapping screw ST4.8\_16. Finished as the diagram shows below.



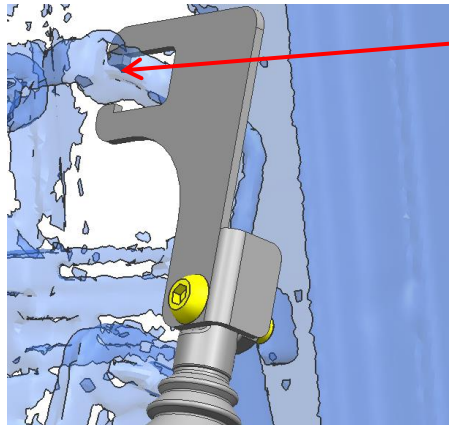
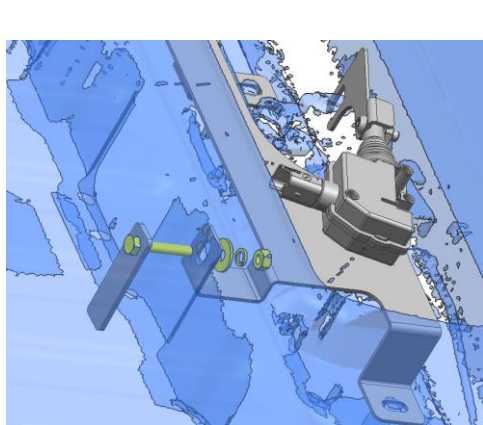
**STEP THREE:**

After the assembly, put the bracket assembly into inside of the tailgate and fixing up with

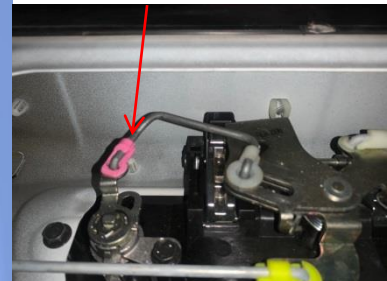
⑥ T shape bolt M6 ⑦ M6 Spring Washer ⑧ M6 Flat Washer ⑫ Hex nut M6 as the diagram shows below; After the installation, attend to whether the ② lock catch is installed on the correct position, slightly move the lock catch and see whether is it running softly.



Direction of arrow is pointing to front



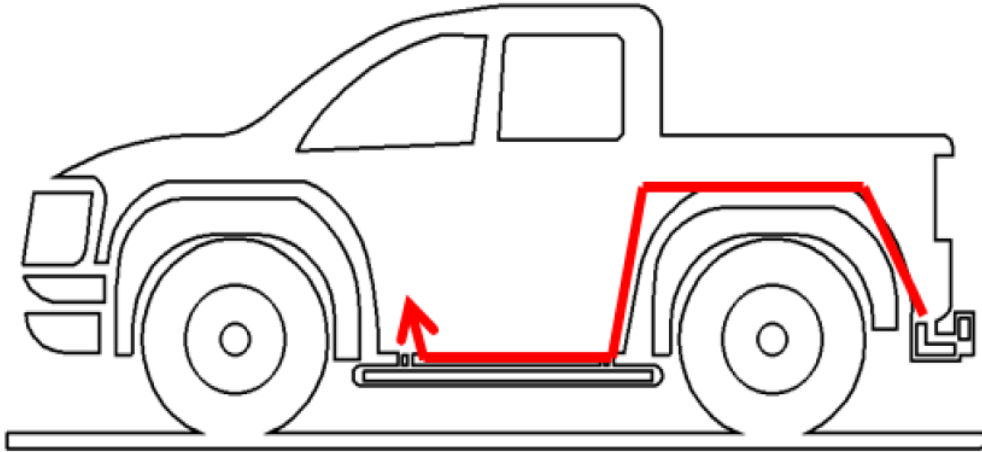
Attend to the position of lock catch should stick on the bar.



Install the steel cover plate back to the tailgate after the installation, wiring harness connection and testing. The ways of wiring harness connection show below.

**STEP FOUR:** Wiring harness connection

Plug one side of supplied wiring harness into the actuator, and route it along the inside of tailgate to the chassis of car to the passenger's side B pillar as shown below.



Remove B Pillar trim cover and locate the harness as shown



Unplug or test the wires directly to locate the signal wire in the OEM harness for the central locking lock & unlock function. Using a test light or multimeter, the desired wire will light up momentarily when the unlock/lock signal is pressed on the key fob.

In our test vehicle:

Function	OEM Harness	Central Locking Harness
Unlock	Yellow	Red
Lock	Green	Black

Please note that OEM harness wire colours may change with different models so it is crucial to re-test wires with each installation. It is essential to test the actuator function while the tailgate is down to ensure nothing is locked inside.

**Final step:**

Finish all the installation, test the tailgate lock function with the remote control, after testing reinstall the fender flare and tailgate cover.