

E-Tailgate lock for Maxus T60 2017+

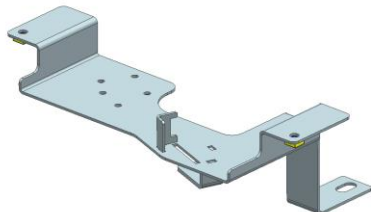
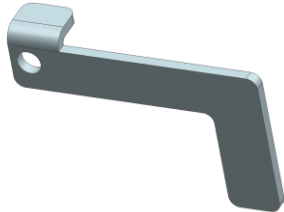
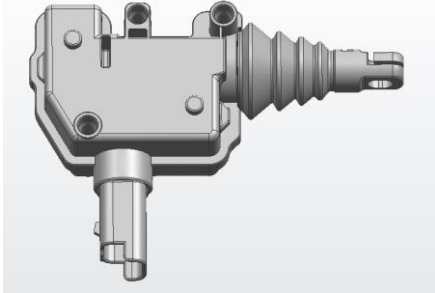


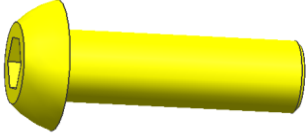

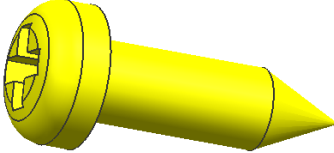
Installation Instruction

CAUTION:

The figures here are for reference only and may have differences with the actual product you received, however they share the same assembly way.

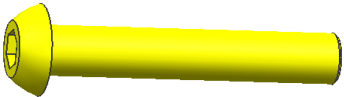

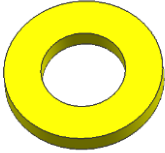
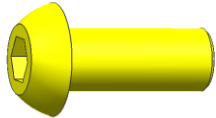
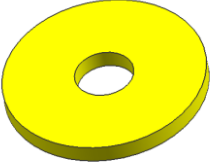


Please read the instruction completely for easy installation, which will also help you to avoid scratches or other potential damages to your appealing car.

PART LIST:

NO.	QTY	NAME	NO.	QTY	NAME
①	1	 Bracket 1	②	1	 Bracket 2
③	1	 Actuator	④	1	 Wire harness (Universal)
⑤	2	 T-Shaped clamp (wire harness 0.2-0.5)	⑥	1	 Hexagon Socket Button Head Screws M6_20
⑦	1	 Hex flange nut M6	⑧	3	 Phillip tapping screw ST4.8_16

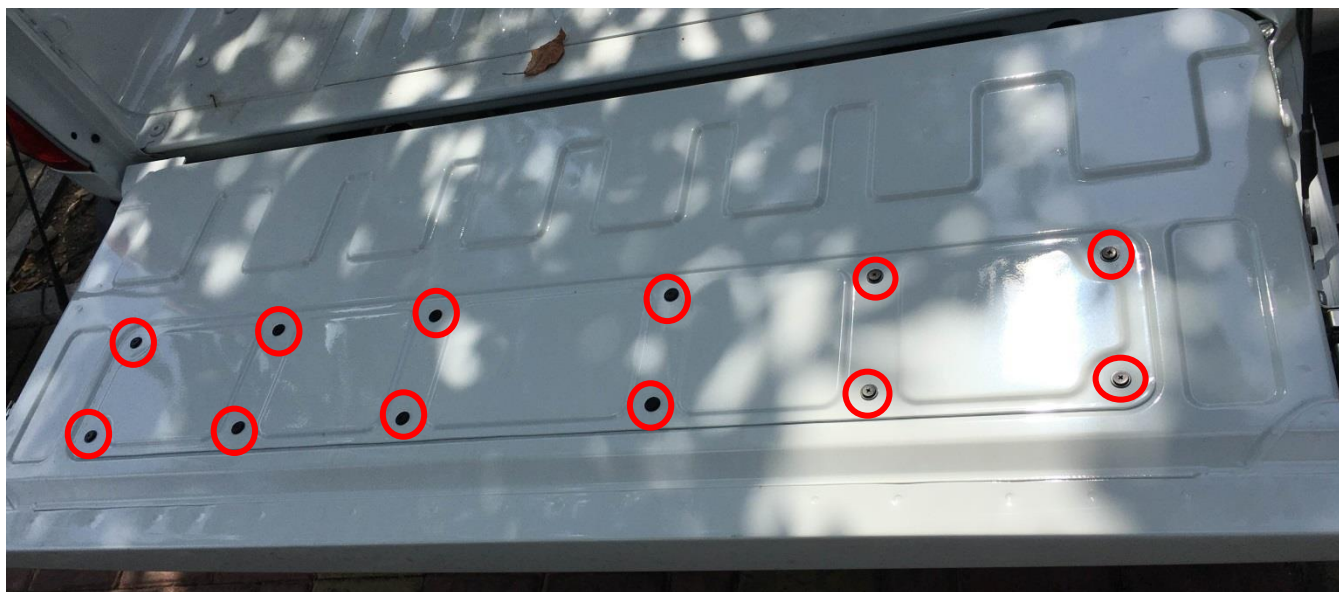
ITEM NO.: CLK-T60-01

NAME: E-Tailgate lock for Maxus T60 2017+ (short bed)

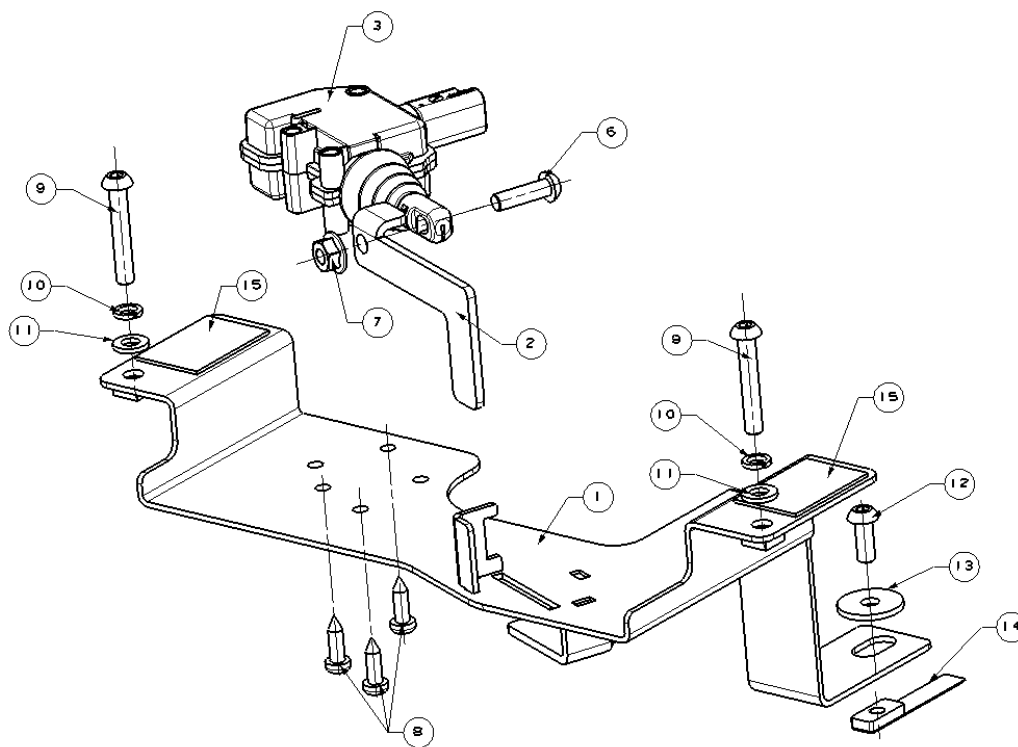
⑨	2	 Hexagon Socket Button Head Screws M6_35	⑩	2	 M6 Spring Washer
⑪	2	 M6 Flat Washer (6x12x1.6)	⑫	1	 Hexagon Socket Button Head Screws M6_15
⑬	1	 D6 Larger Washer (6x22x2mm)	⑭	1	 M6 Nut
⑮	2	 Double Sided Adhesive Tape			

STEP ONE: Brackets Installation:

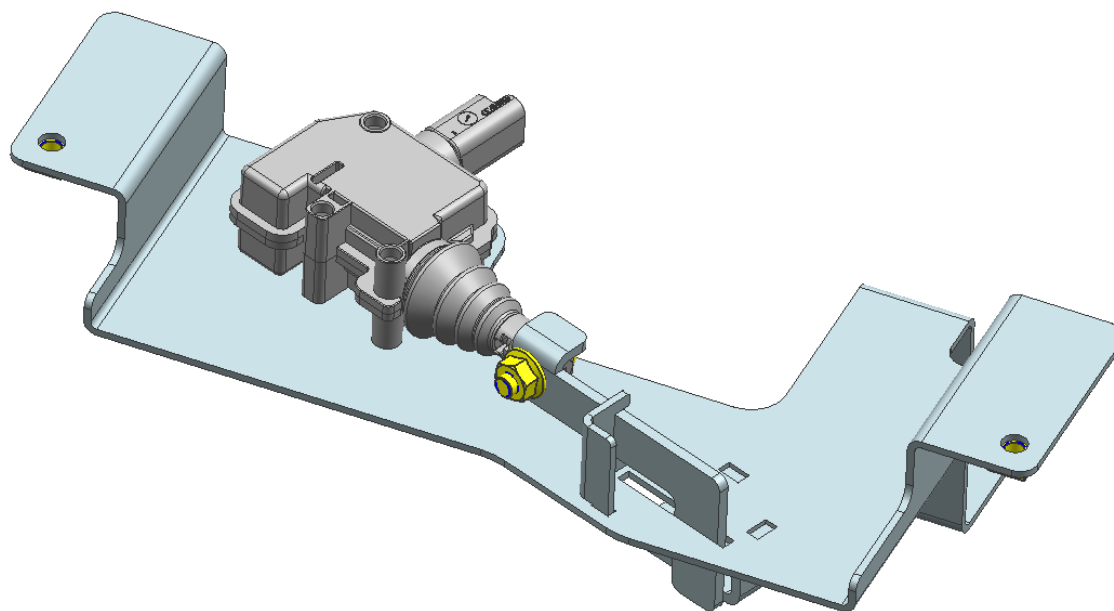
Remove the steel cover plate on tailgate by loosening the screws.



Installation Fig.

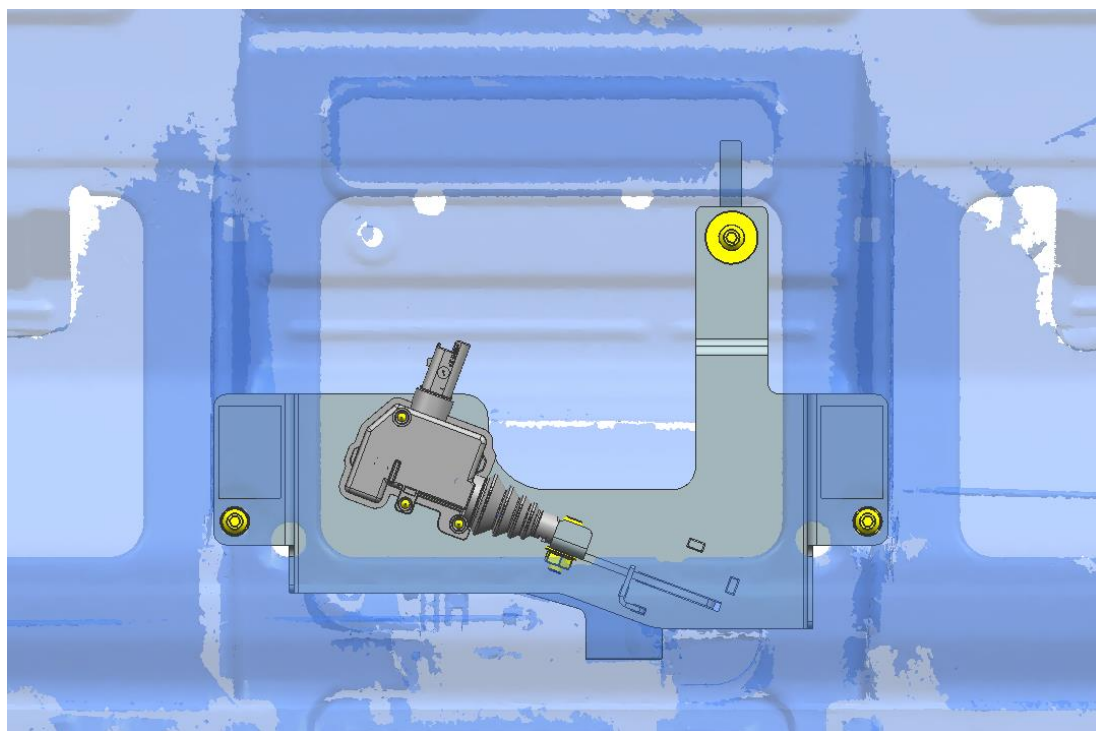


As below photo shows, install ① bracket 1, ② bracket 2 and ③ actuator with ⑥⑦⑧.

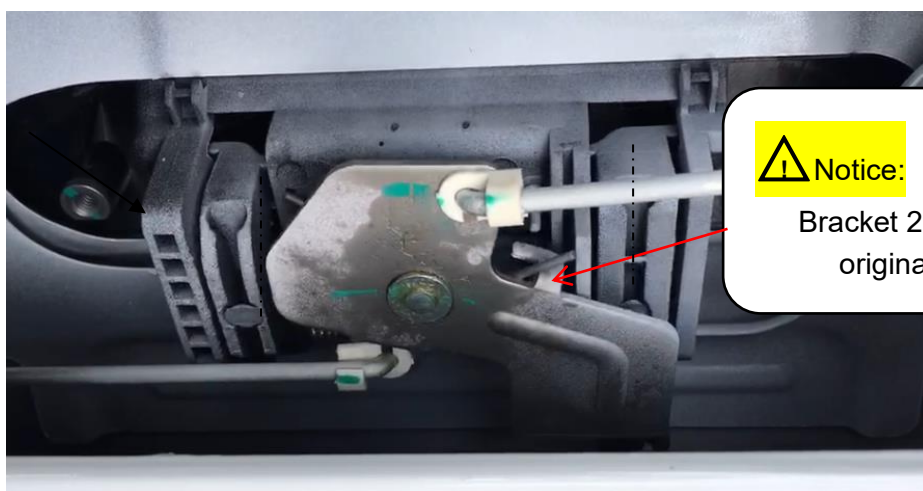
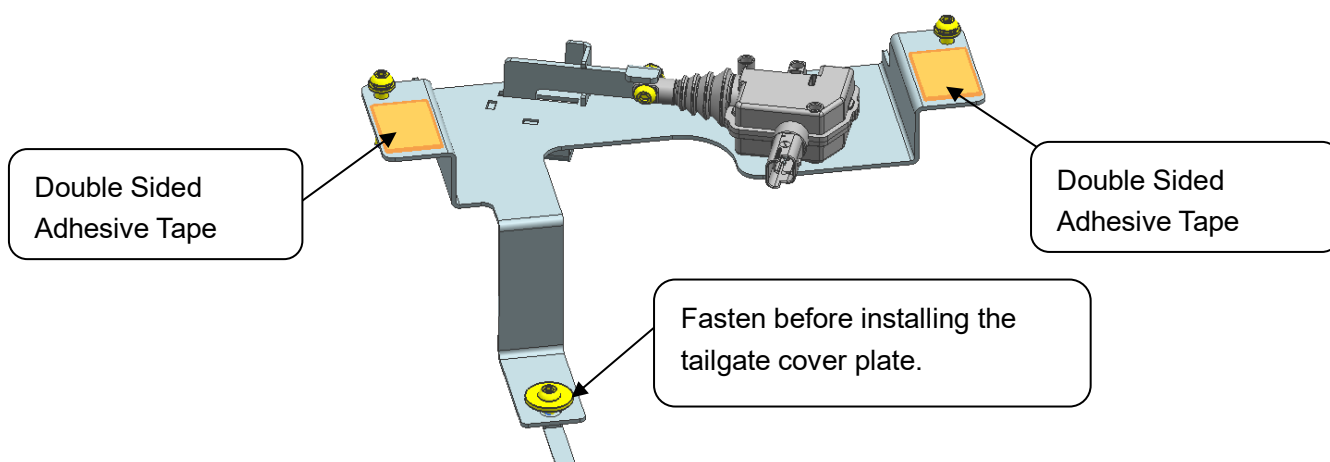


Put the ⑮ double sided adhesive tape on the bracket.

Notice: Before reinstall the cover plate, please check the bracket 2 whether it is installed in proper position.



↑
CAB

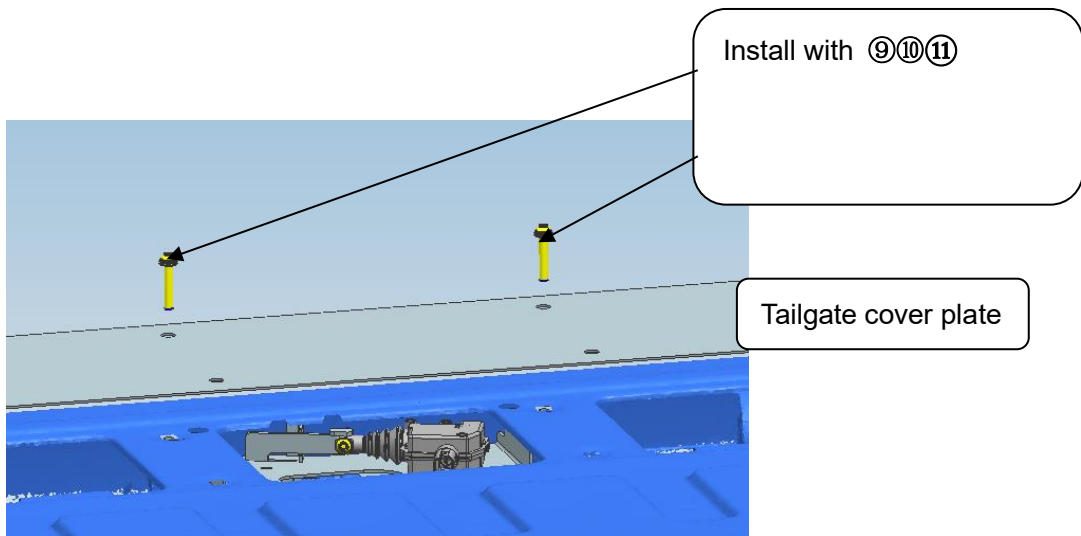


For easier positioning of the bracket, you will have to undo the 2 torx bolts that hold the tailgate handle in place. Once both ends of the bracket has been placed inside the tailgate, you may slide it

ITEM NO.: CLK-T60-01

NAME: E-Tailgate lock for Maxus T60 2017+ (short bed)

forward to reinstall the tailgate handle. Then, position the bracket back over the handle and fasten it with ⑫⑬⑭. Reinstall the tailgate cover plate, fasten the bracket and cover plate with ⑨⑩⑪.

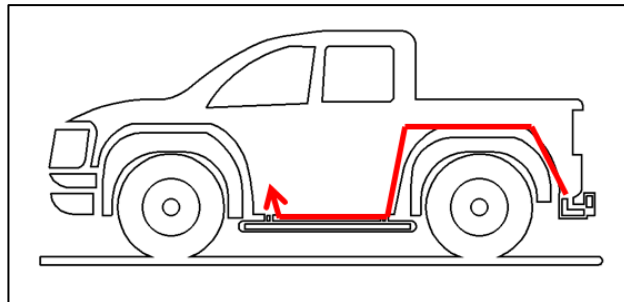


STEP TWO : Wire harness:

Run the wire harness from tailgate to fender flare through chassis.

Wires are located in the LOOM LEADING TO FRONT PASSENGER DOOR, NEED TO REMOVE PASSENGER KICK PANEL, THE THINNER LOOM but THICKER WIRES. On current model LDV T60's it will be PURPLE wire and BROWN wire. The wires are thicker than the rest of the wires.

Connect Your Red Wire (+ve terminal) to Point B of your harness connector and the Black wire (-ve terminal) to Point A as shown in the picture.



Test the tailgate lock function with the remote control. Then reinstall the fender flare and tailgate cover.

ITEM NO.: CLK-T60-01

NAME: E-Tailgate lock for Maxus T60 2017+ (short bed)

Finished