

INSTALLATION INSTRUCTIONS

PART# PW045890

3" NUDGE BAR FOR FORD RANGER 2023(SENSOR COMPATIBLE)

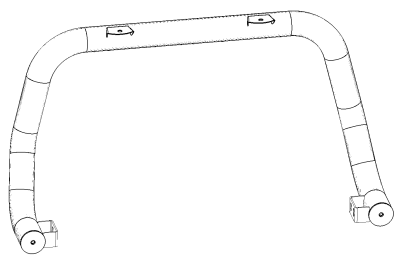
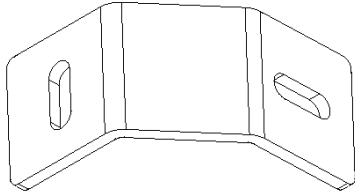
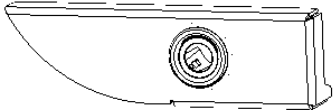
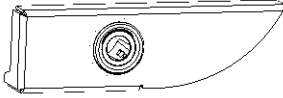
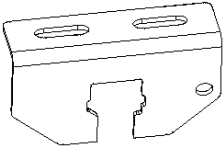
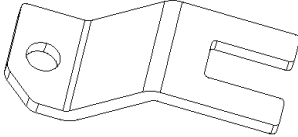
Before Installation

- Please read these instructions carefully prior to installation
- Check the contents of this kit before commencing fitment and report any discrepancies
- Place these instructions in the vehicle's glove box after installation is complete
- The information shown here is for reference only and may differ from the product that you receive, however the goods are fitted in the same way.

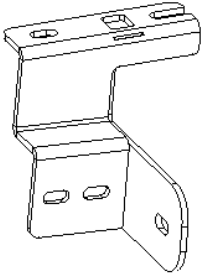
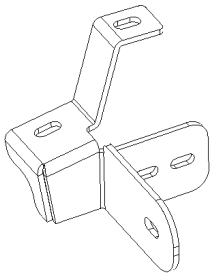
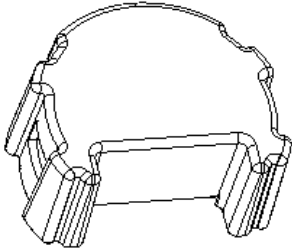
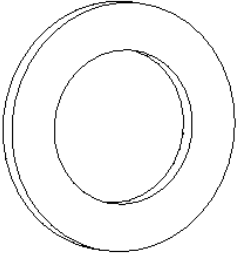
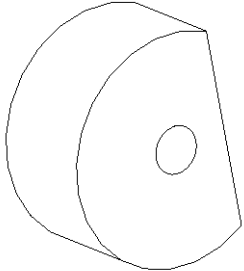
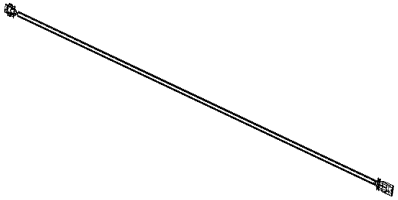

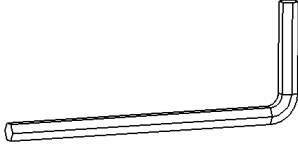
Care and Cleaning

- Mild detergent may be used to clean the Product.
- Please periodically check and retighten all the hardware.

Parts list

NO.	QTY	PICTURE	NO.	QTY	PICTURE
	1	 Nudge bar		2	 Support bracket
	1	 Sensor bracket (L)		1	 Sensor bracket (R)
	1	 Camera holder 1		1	 Camera holder 2

INSTALLATION INSTRUCTIONS

1		1	
	Mounting bracket (L)		Mounting bracket (R)
2		2	
	Base		Ring-shaped Foam tape
2		2	
	Foam tape		Parking sensor extension harness
2		1	
			Wrench S=4

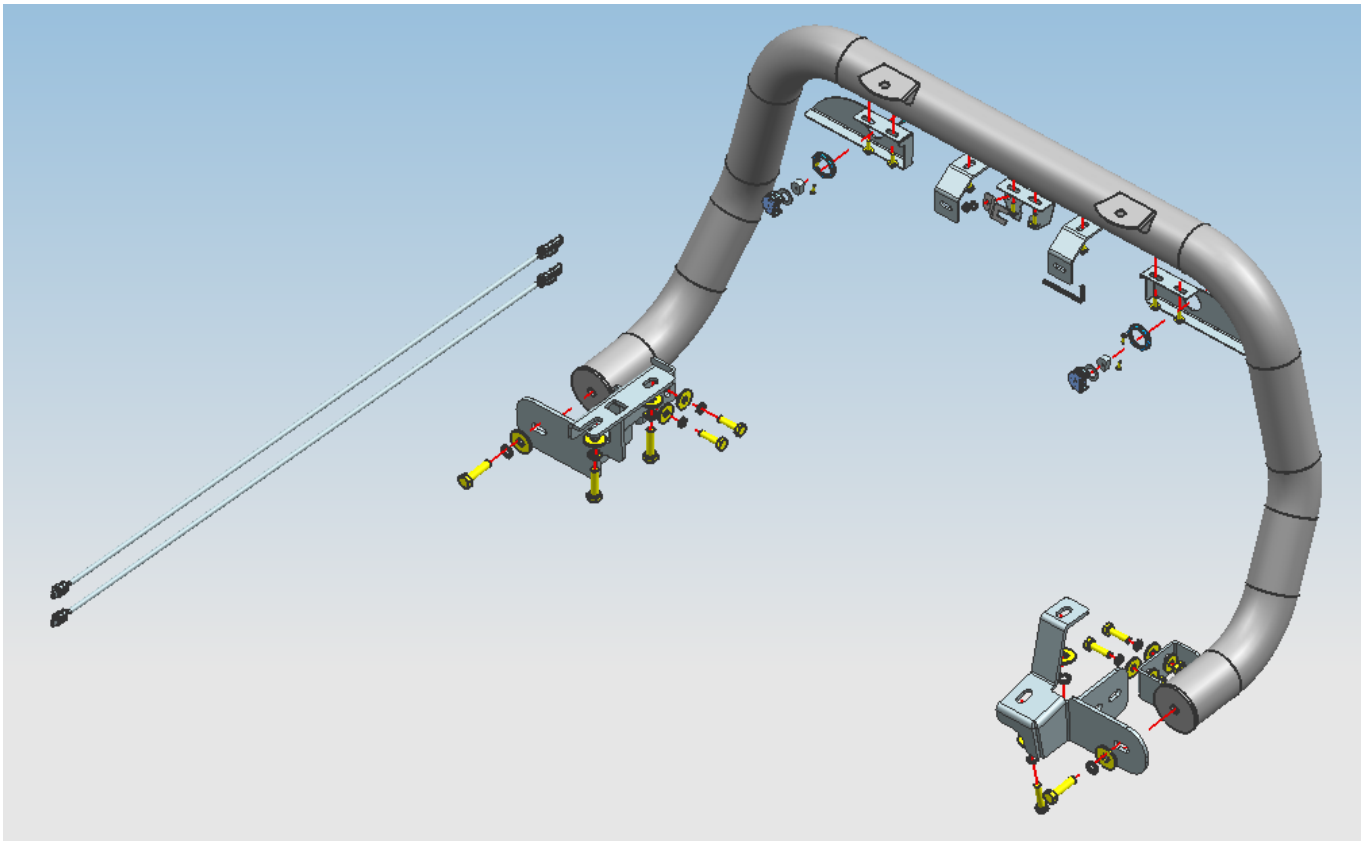
b、SPART PART LIST

NO.	NAME	QTY	REMARK	NO.	NAME	QTY	REMARK
	Cross pan head screws (F type flat tail)	4	ST4_15		Large Washer	9	D10(10x30x2.5mm)
	Spring Wash	5	D10		Non-standard washer	3	D12_32_3
	Spring Wash	5	D12		Hex screw(Full Thread)	2	M12_45
	Large Wash	2	D12(12x37x3mm)		Hex screw(Full Thread)	1	M6_20

INSTALLATION INSTRUCTIONS

Non-metallic insert hex lock nuts	1	M6		Flat Washer	1	D6(6x12x1.6mm)
Screw and washer assembly	8	M6_20/A2-70/		Hex screw(Full Thread)	4	M10_35
Hex Nut	4	M10		Hex screw(Full Thread) (FineThread)	3	M12x1.25_45
Hex screw(Full Thread) (FineThread)	1	M10x1.25_45				

Installation Steps

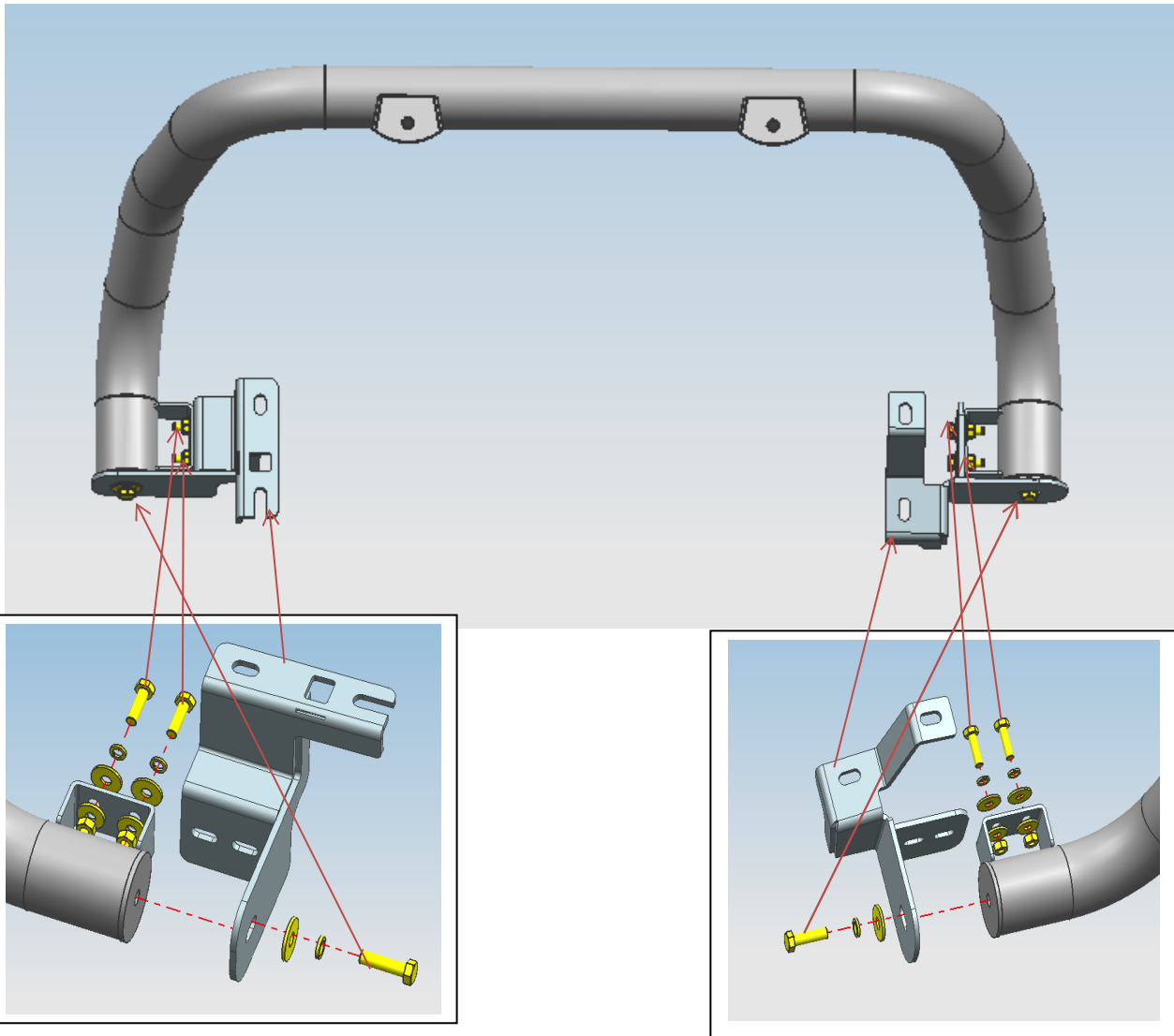


Check everything that is in the above parts list is present and accounted for.

INSTALLATION INSTRUCTIONS

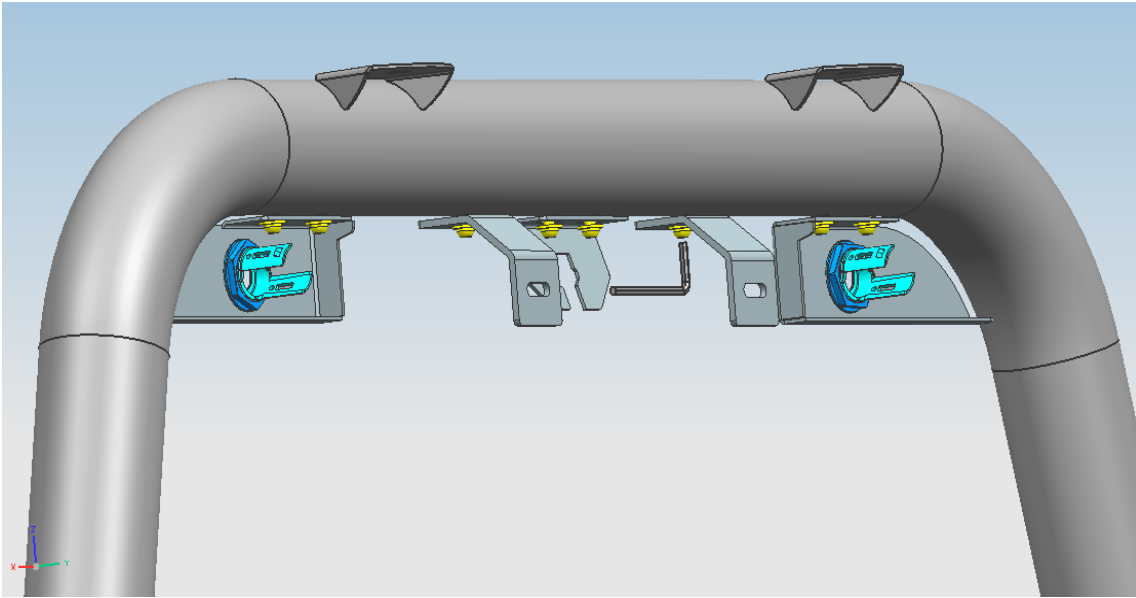
STEP 2:

1. Attach mounting brackets to nudge bar as shown in this diagram:

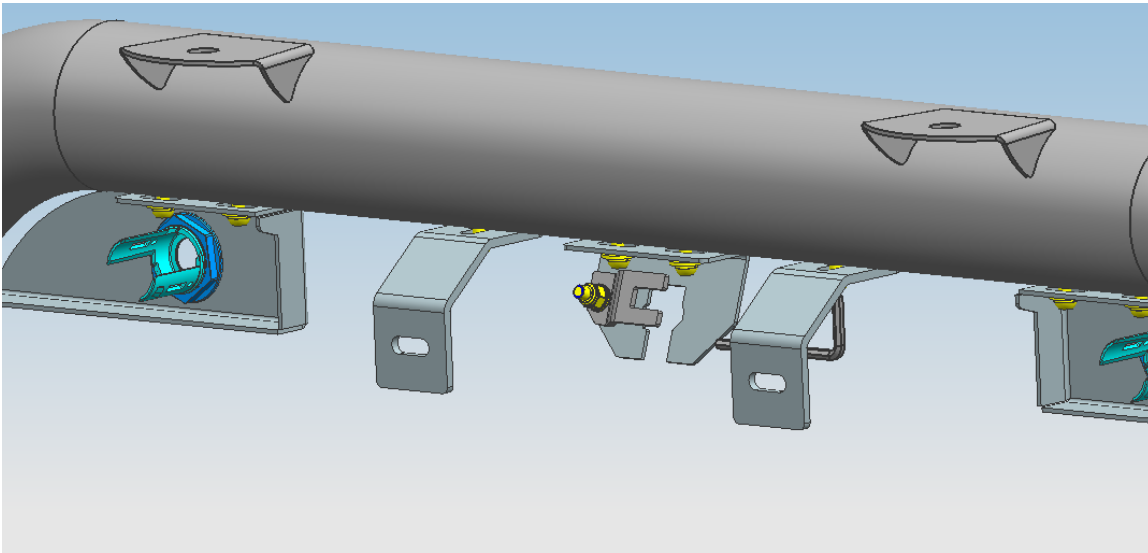


2. Install support bracket, sensor brackets and camera holder on the nudge bar by hardware shown as below.

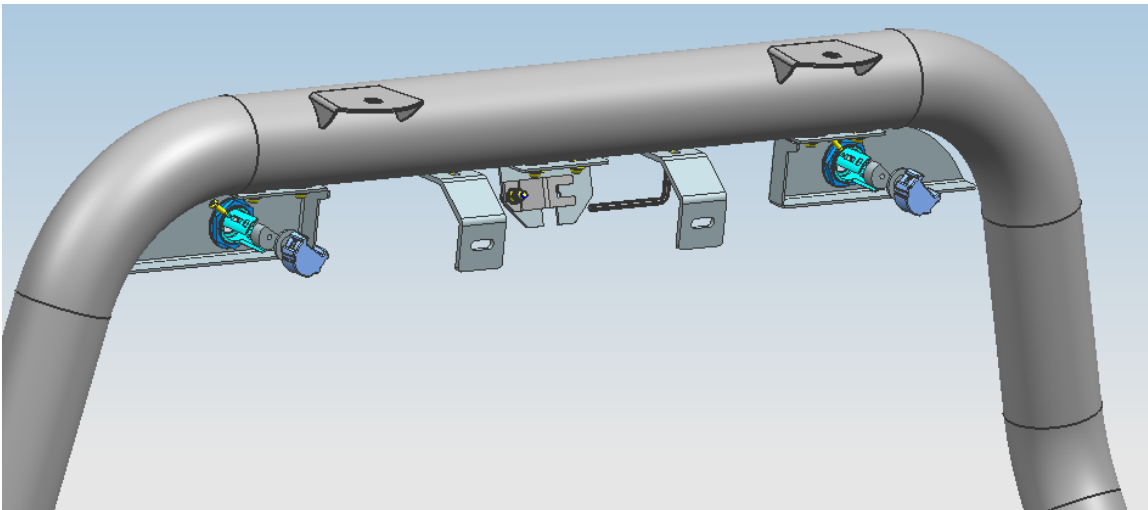
INSTALLATION INSTRUCTIONS



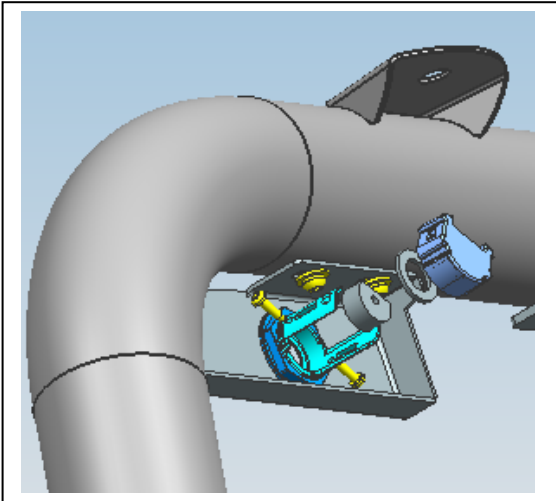
3. Install and tighten the camera on the holder shown as below.



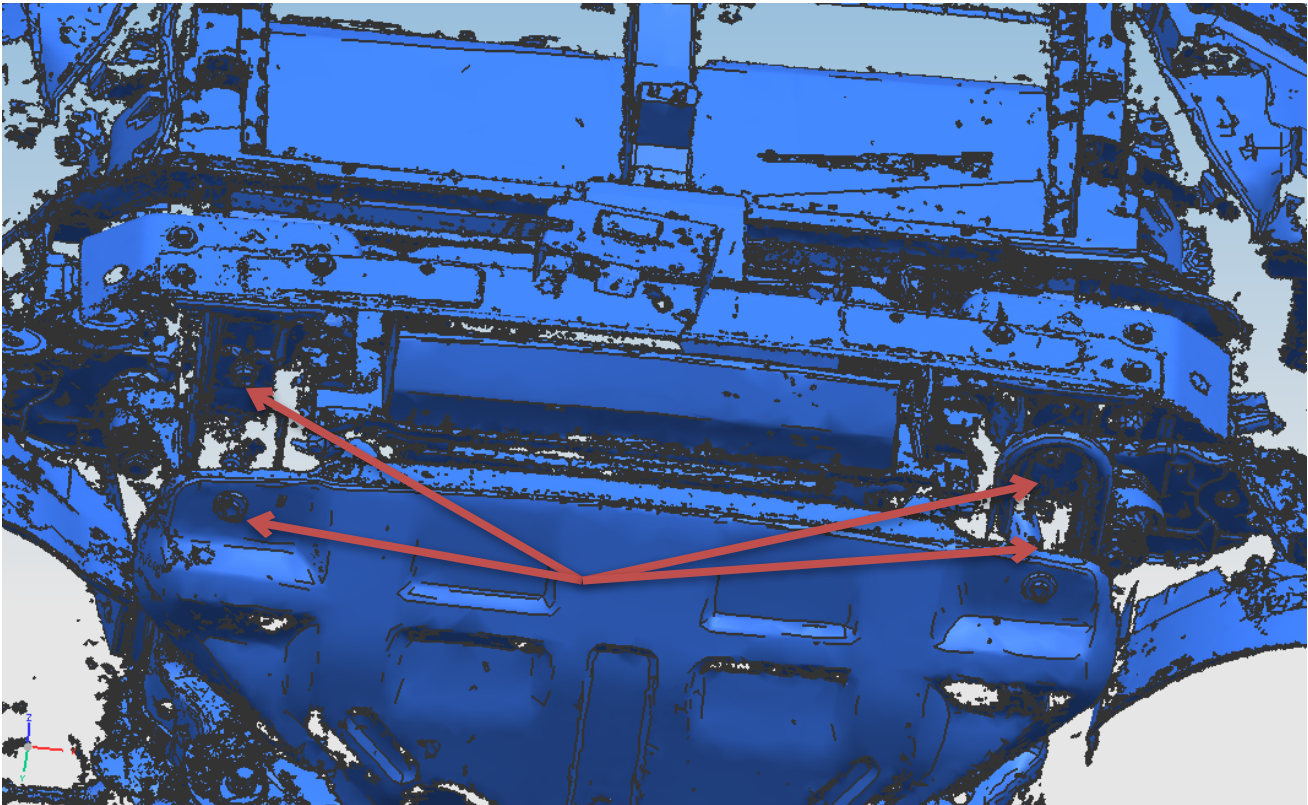
4. Put the radar inside the radar hole then tighten by hardware shown as below.



INSTALLATION INSTRUCTIONS

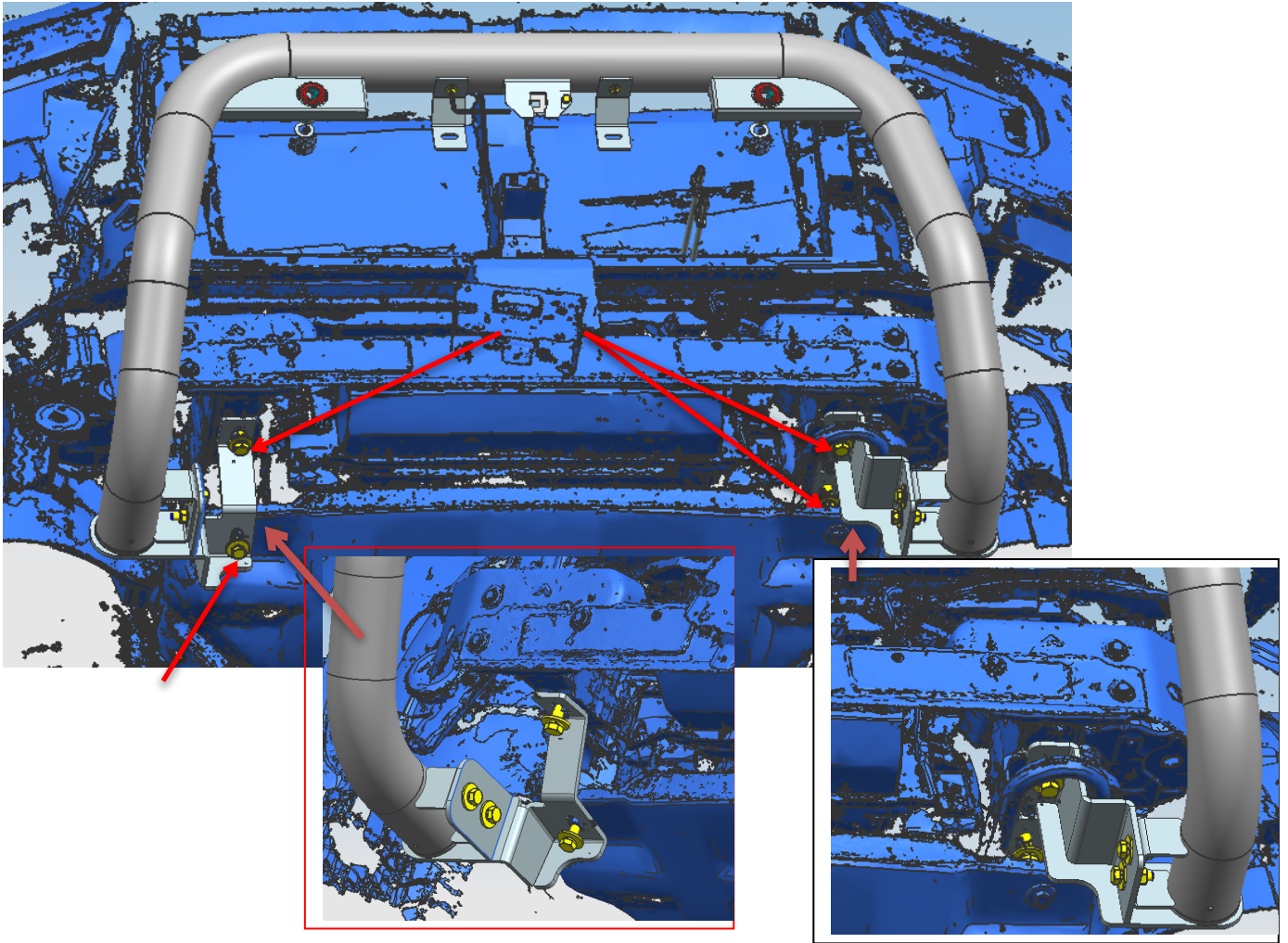


5. Find out the installation position on following picture.

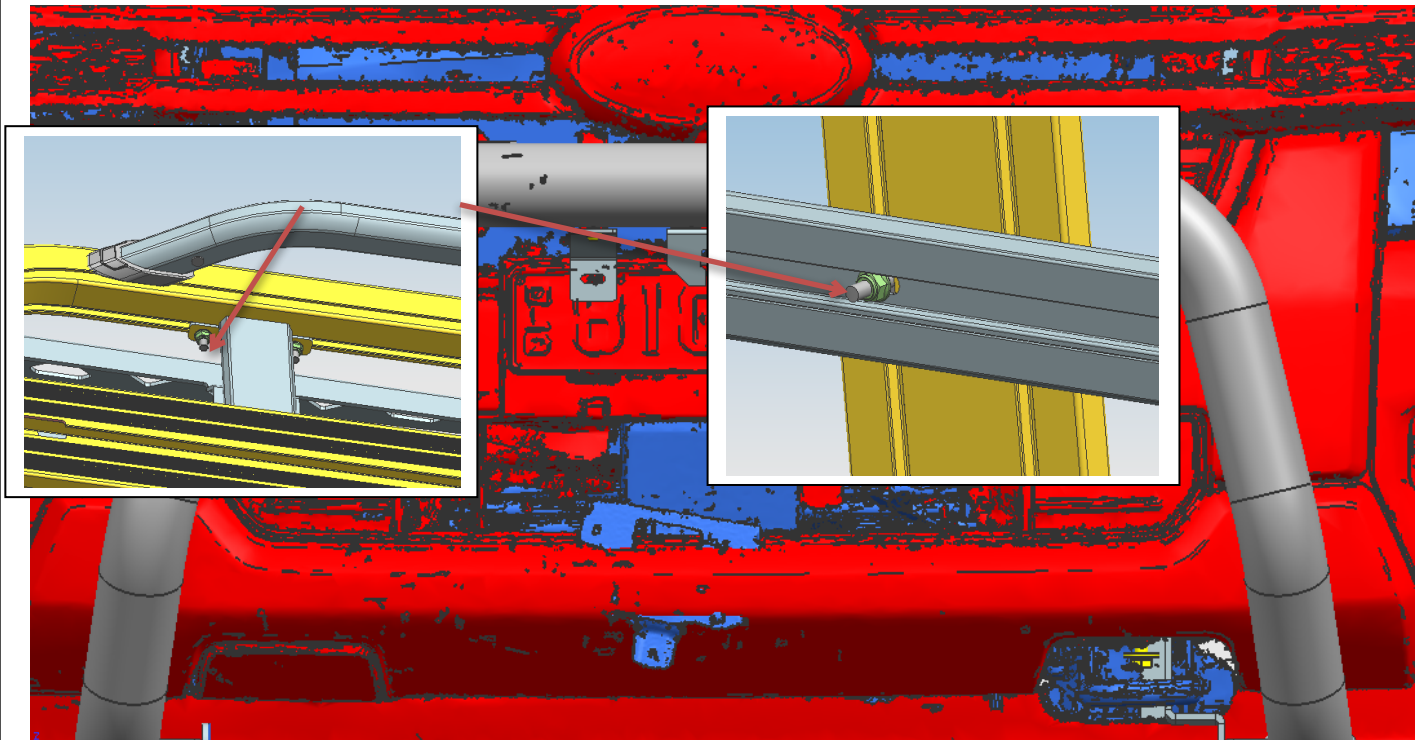


6. Install the nudge bar on the vehicle shown as below.

INSTALLATION INSTRUCTIONS

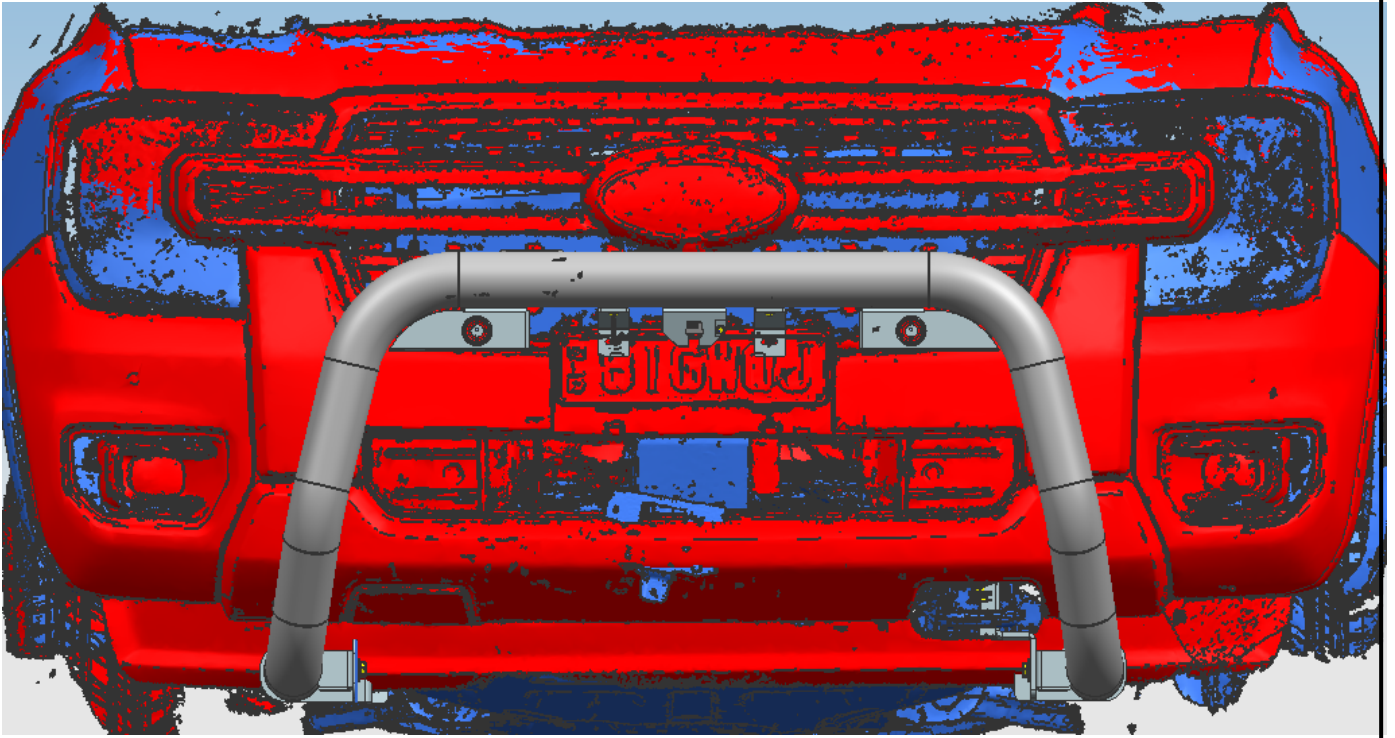


7. Install the license plate on the support bracket shown as below.



8. Installation Finished

INSTALLATION INSTRUCTIONS



NOTE

Any damages and losses caused by improper installation and application, goes beyond our quality warranty.