

INSTALLATION INSTRUCTIONS

Bullbar suitable for Holden Colorado 7 2012-2017

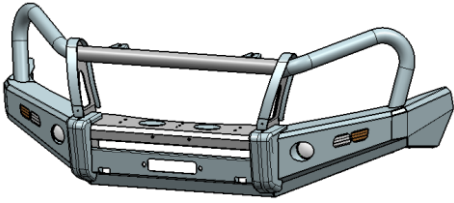
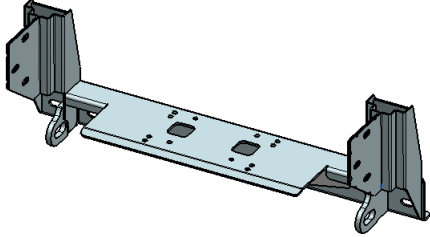
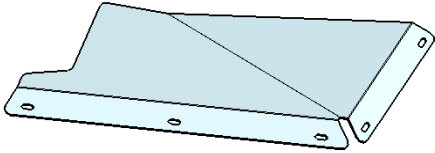
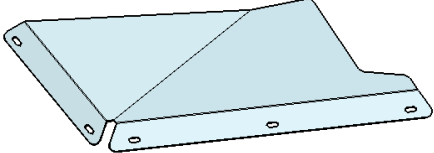
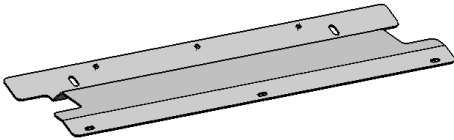
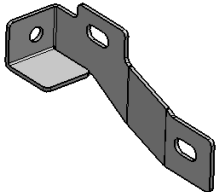
Before Installation

- Please read all the information in this document carefully to avoid any errors or confusion during installation.
- The goods you receive may have minor differences than shown in this document. However, the installation process is still the same and is useful for reference.

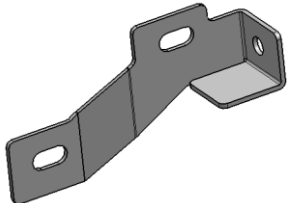
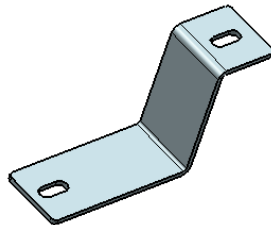
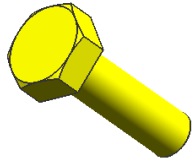

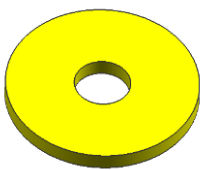
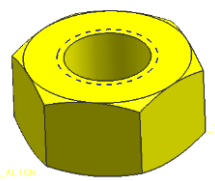
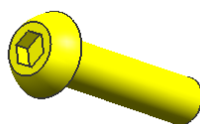
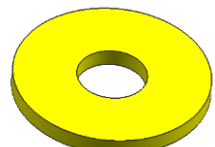
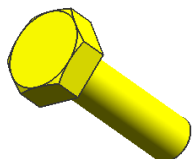

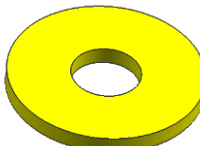
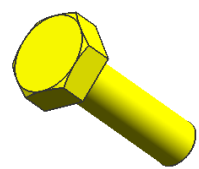
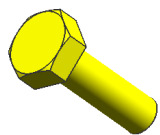

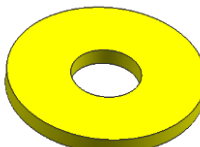
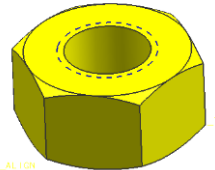
Care and Cleaning

Mild detergents may be used to clean this product. Periodically check and re-tighten all hard ware to ensure that the product is installed safely.

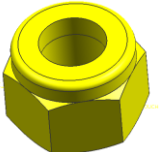
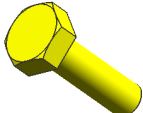

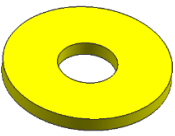
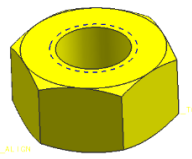
Parts list

NO.	QTY	NAME	NO.	QTY	NAME
①	1	 Main bull bar Assembly	②	1	 Winch Frame
③	1	 Skid plate (L)	④	1	 Skid plate (R)
⑤	1	 Central Skid Plate	⑥	1	 Bracket(L)

INSTALLATION INSTRUCTIONS

⑦	1	 <p>Bracket(R)</p>	⑧	1	 <p>Bracket for front grille</p>
⑨	14	 <p>Hex Bolt M6_20</p>	⑩	15	 <p>Spring Washer D6</p>
⑪	3	 <p>Large Washer D6 (6x22x2mm)</p>	⑫	2	 <p>Hex Nut M6</p>
⑬	1	 <p>Hex Bolt M6_25</p>	⑭	14	 <p>Large Washer D6 (6x18x1.6mm)</p>
⑮	5	 <p>Hex Bolt M8_25</p>	⑯	5	 <p>Spring Washer D8</p>
⑰	5	 <p>Large Washer D8 (8x24x2mm)</p>	⑱	2	 <p>Hex Nut M10_70</p>
⑲	2	 <p>Hex Bolt M10_80</p>	⑳	2	 <p>Spring Washer D10</p>
㉑	8	 <p>Large Washer D10 (10x30x2.5mm)</p>	㉒	2	 <p>Hex Nut M10</p>

INSTALLATION INSTRUCTIONS

②③	2	 Hex Nut M10	②④	8	 Hex Bolt M12_40
②⑤	8	 Spring Washer D12	②⑥	16	 Large Washer D12 (12x37x3.5mm)
②⑦	8	 Hex Nut M12			

Installation Steps

Installation Fig.

Step 1: Verify that all the parts listed above are present. Remove the original front bumper and beam.

Step 2: Find the position as below reference Fig1 & 2 and remove the OEM protector according to the two sides of protectors' line.

Fig 1

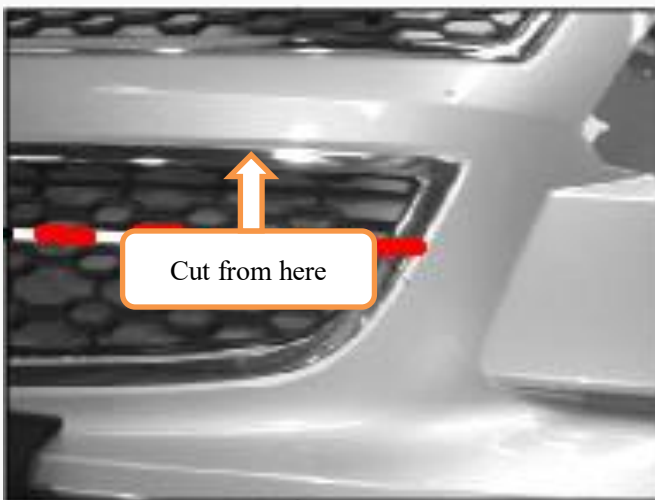
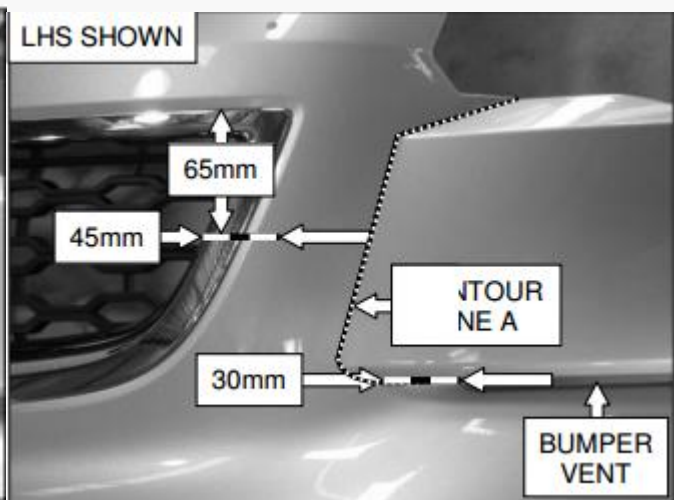


Fig 2



INSTALLATION INSTRUCTIONS

Fig 3

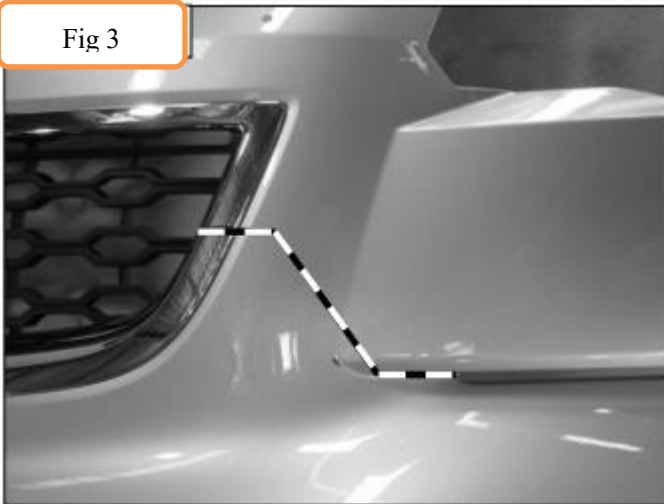


Fig 4

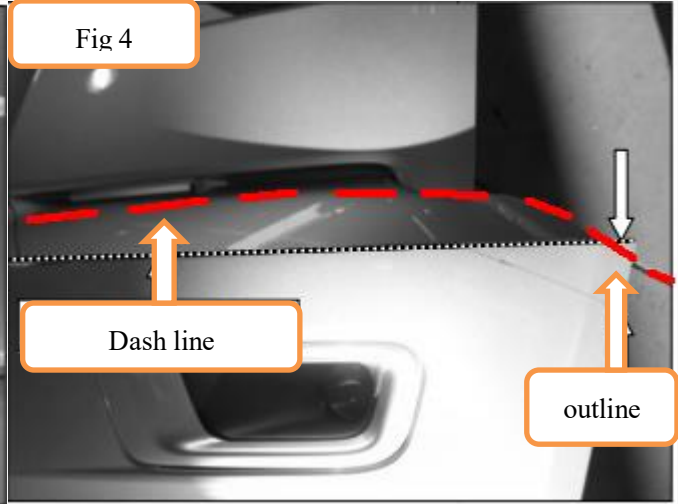


Fig 5

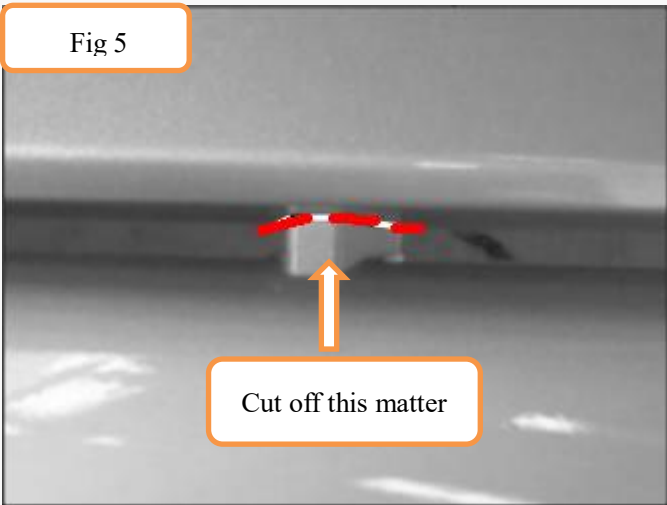
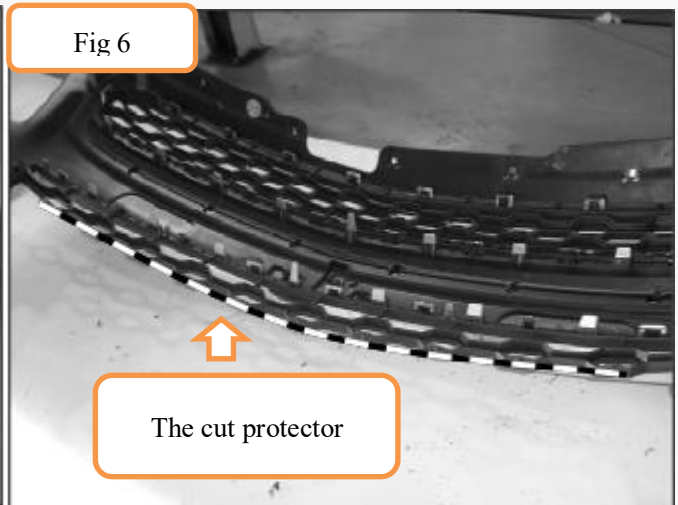
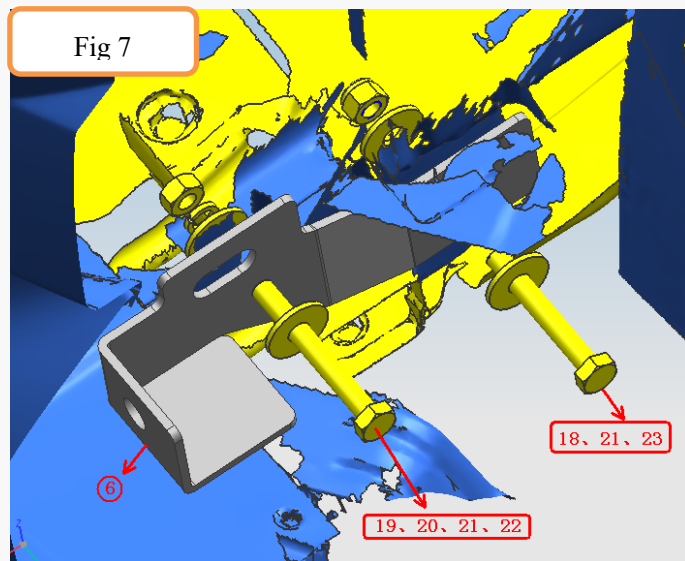


Fig 6



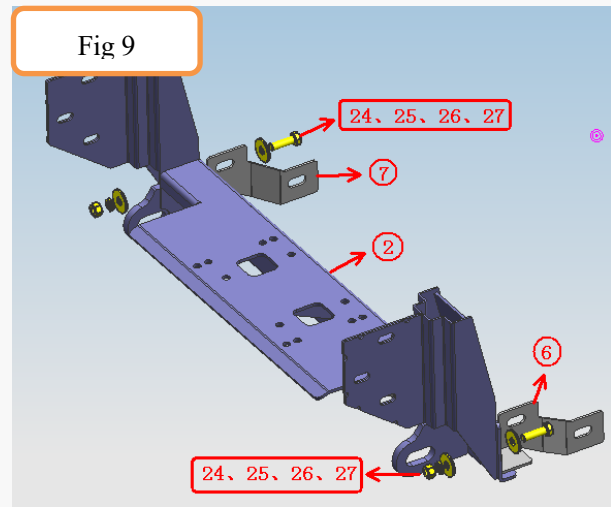
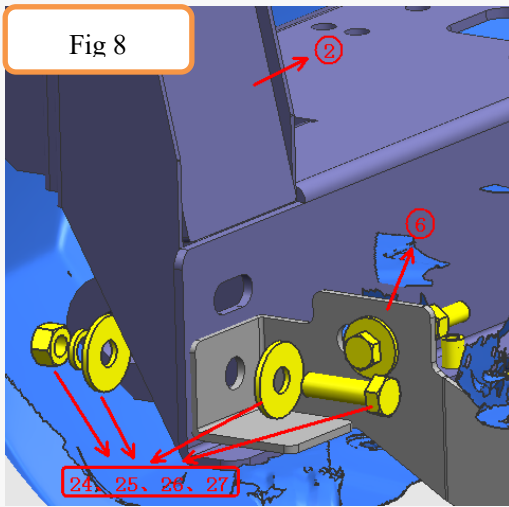
Step 3: Install the brackets ⑥ on the left of beam, fix with bolts ⑱、⑲、⑳、㉑、㉒、㉓ as Fig 7.

Fig 7

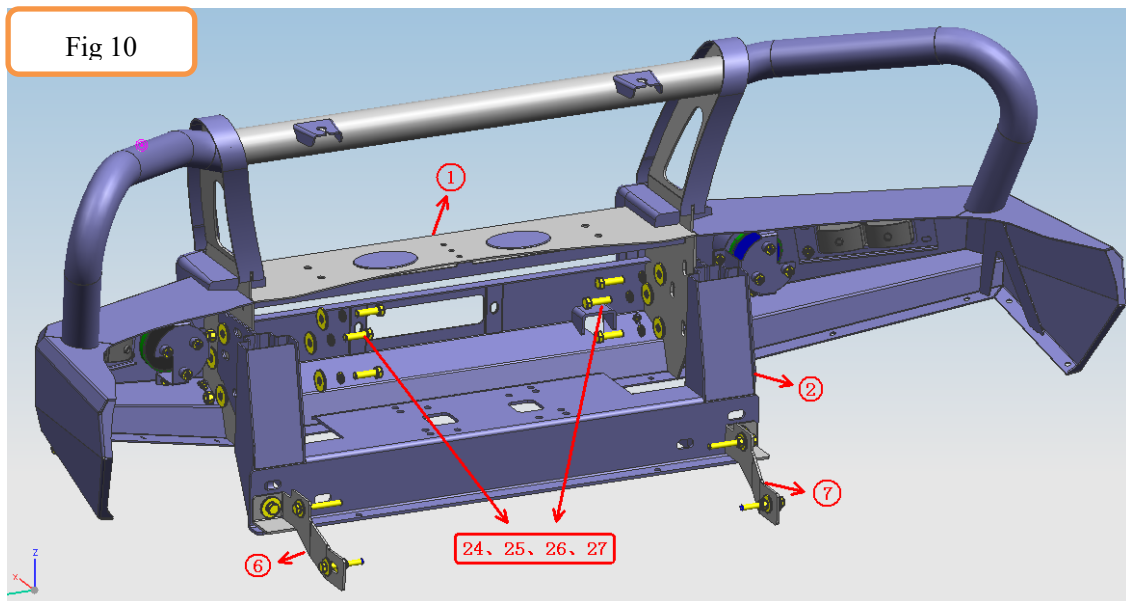


INSTALLATION INSTRUCTIONS

Step 4: Install the brackets (7) on the right of beam, fix with bolts (18), (19), (20), (21), (22), (23) as Fig 7. Step 5: Then install the winch frame (2) on the (6) brackets with bolts (24), (25), (26), (27) as Fig 8,9. the right brackets installation way is same with this step.

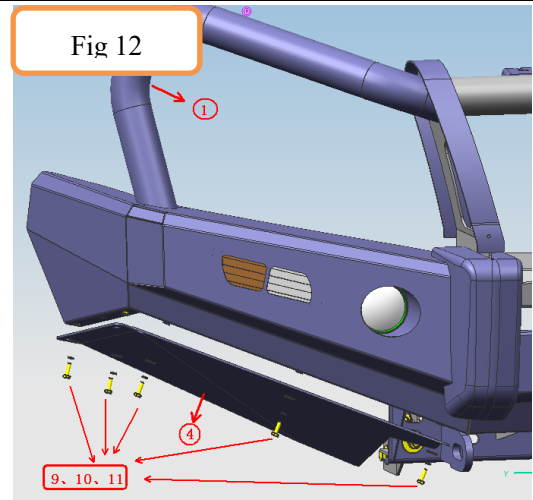
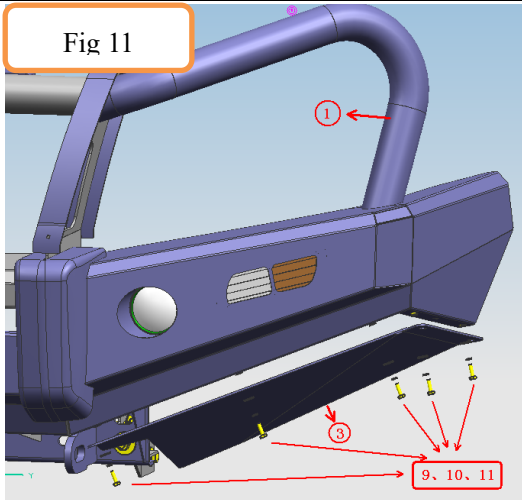


Step 6: Then install the Main bull bar Assembly (1) on the winch frame (2), fix with (24), (25), (26), (27) as Fig 10.

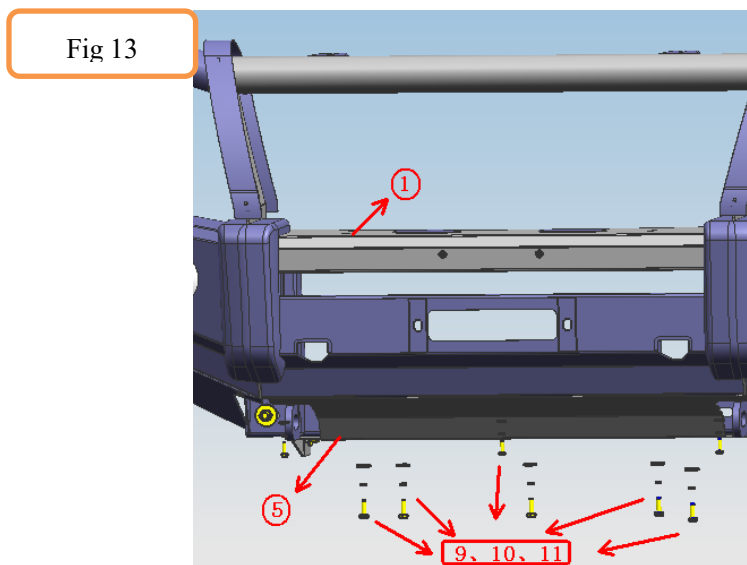


Step 7: Then install the skid plate (3) on the left of bull bar (1), fix with bolts (9), (10), (11) as Fig 11,12. The skid plate (4) installation way is same with this step.

INSTALLATION INSTRUCTIONS



Step 8: Install the central skid plate ⑤ on the bull bar ①, fix with bolts ⑨、⑩、⑪ as Fig 13.



Step 9: Fix the front grille with brackets ⑧ and bolts ⑨、⑩、⑪、⑫、⑬.

Step 10: Adjust the bull bar to the suitable position, check all the spare parts tightly. Installation is finished now.

INSTALLATION INSTRUCTIONS



NOTE

Please note that any damages and harm caused by improper installation or usage of the bulbar goes beyond the coverage of our quality assurance and warranty.