

E-Tailgate lock for Ford Ranger 2012+

Installation Instruction

CAUTION:

- Please read these instructions carefully prior to installation
- Check the contents of this kit before commencing fitment and report any discrepancies Place these instructions in the vehicle’s glove box after installation is complete
- We recommend professional installation of this product

PART LIST:

NO.	QTY	NAME	NO.	QTY	NAME
①	1	 Bracket 1	②	1	 Bracket 2
③	1	 Actuator	④	1	 Wire harness (Universal)
⑤	2	 T-Shaped clamp (wire harness 0.2-0.5)	⑥	1	 Allen Wrench S=4
⑦	3	 M6 Spring Washer	⑧	3	 M6 Flat Washer 6×12×1.2)
⑨	4	 Hexagon Socket Button Head Screws M6_35	⑩	1	 Hex flange nut M6
⑪	3	 Phillip tapping screw ST4.8_16	⑫	3	 Clip Nut M6

Item NO: 275899

Name: E-Tailgate lock for Ford Ranger 2012+

STEP ONE: Brackets Installation:

Remove the bedliner plate & steel cover plate on tailgate by loosening the screws.

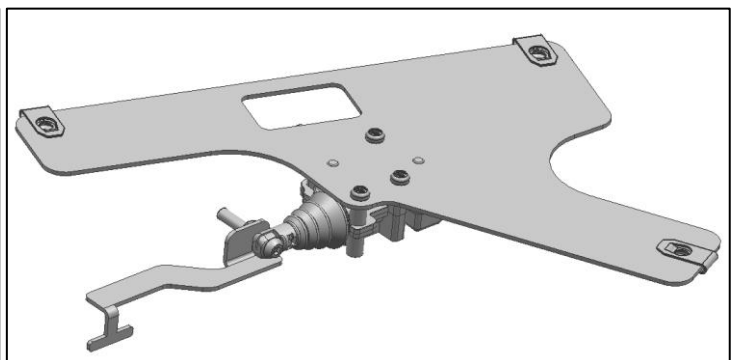
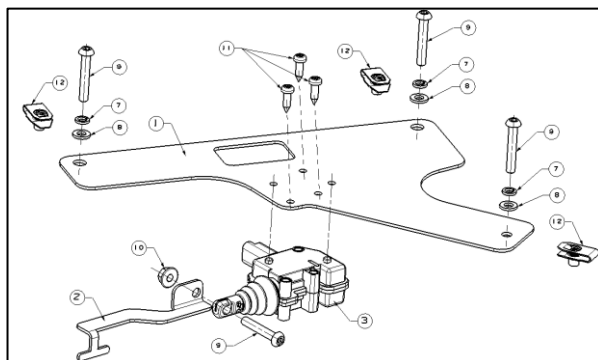


As below photo shows, remove these 3 plastic clips.

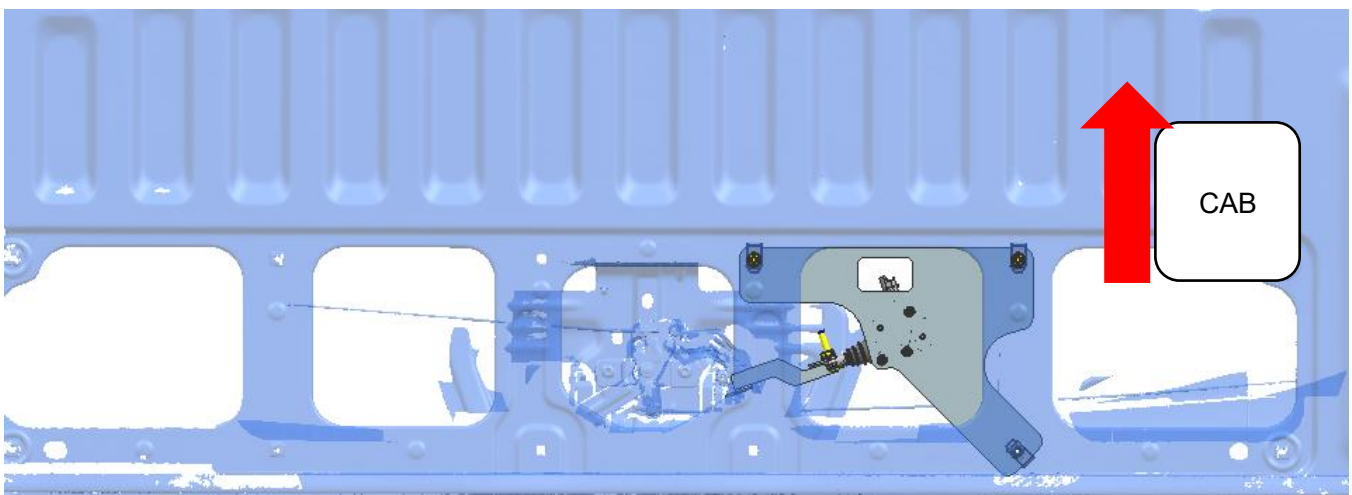


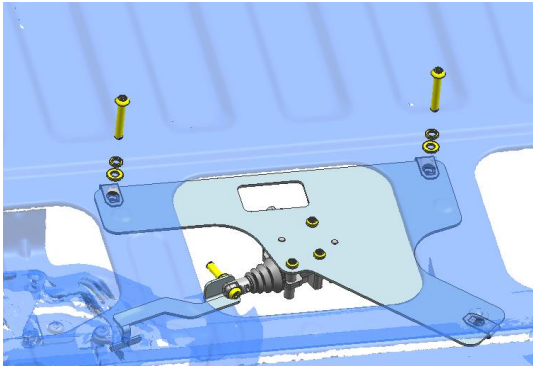
Installation Fig.

As below photo shows, install ① bracket 1, ② bracket 2 and ③ actuator with ⑨ ⑩ ⑪ ⑫



Then install the bracket inside of tailgate, fasten it with ⑦ ⑧ ⑨

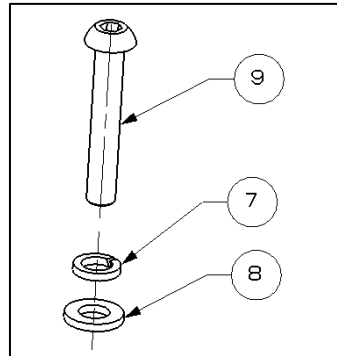




⚠ Notice:
The way we installed Bracket 2

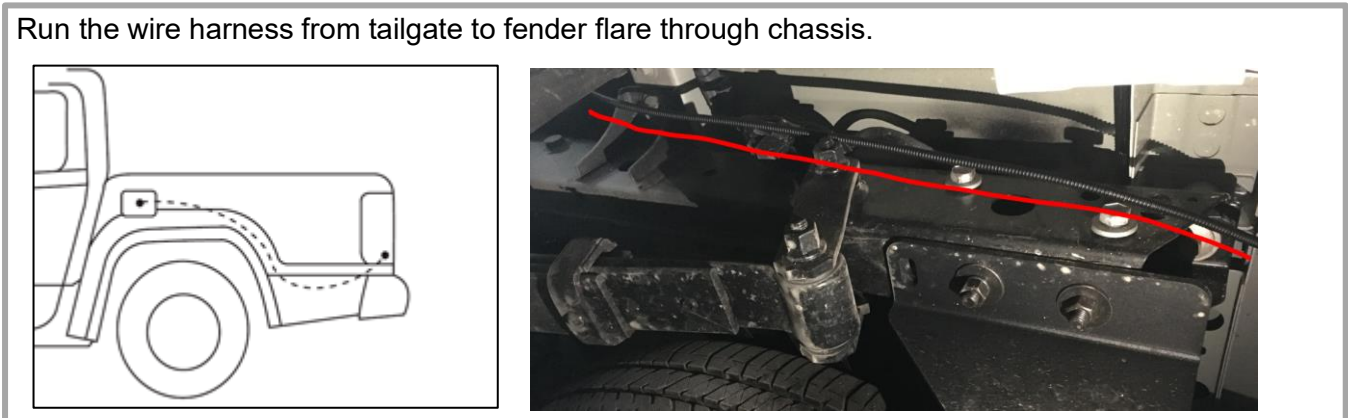
Reinstall the steel cover plate and bedliner on tailgate.

⚠ Notice: As below picture shows, please fasten below hole with ⑦ ⑧ ⑨, instead of original bolt.



STEP TWO : Wire harness:

Run the wire harness from tailgate to fender flare through chassis.



Disassemble fender flare by loosening the plastic screws.



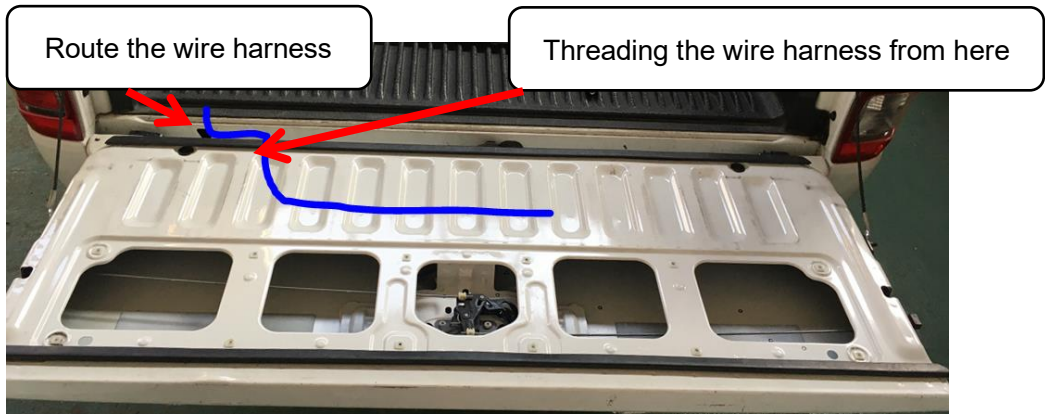
CAB



Item NO: 275899

Name: E-Tailgate lock for Ford Ranger 2012+

Connect the wiring to the actuator the route the actuator wiring harness out of the tailgate and underneath the vehicle.



a. Run the wire harness to fuel cap and reserved 20cm wire harness extra.



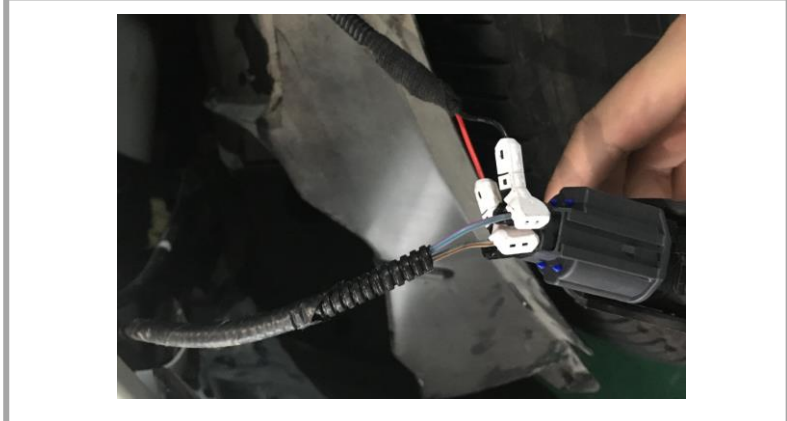
b. Take out the original actuator on fuel cap



c. Connect the T-shaped clamp to the front edge of wire harness. Fix it with plier.



d. Then connect the T-shaped clamp with original actuator wire harness. Red wire connects to grey-brown wire (original wire). Black wire connects to purple-green wire. (Original)



Test the tailgate lock function with the remote control. Then reinstall the fender flare and tailgate cover.
Finished